

santé

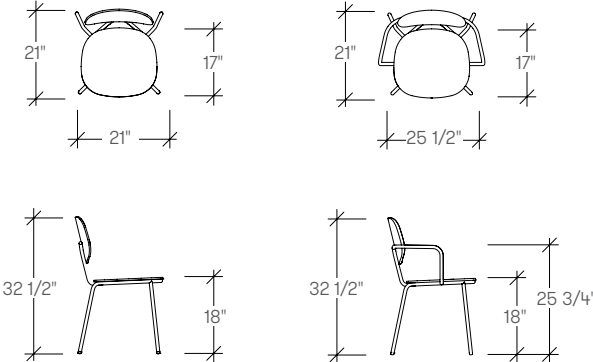
features

The French celebrate by saying, “À votre santé” or “to your health.” Award winning designer Patrick Norguet created a level of elegance with his latest project, Santé. A series of versatile side chairs and stools, Simple yet smart, Santé is light and agile for movement and is comfortable for hours of work, meetings or just relaxing. Santé projects a lifestyle-oriented sensibility that softens the office landscape and expresses a more casual work culture.



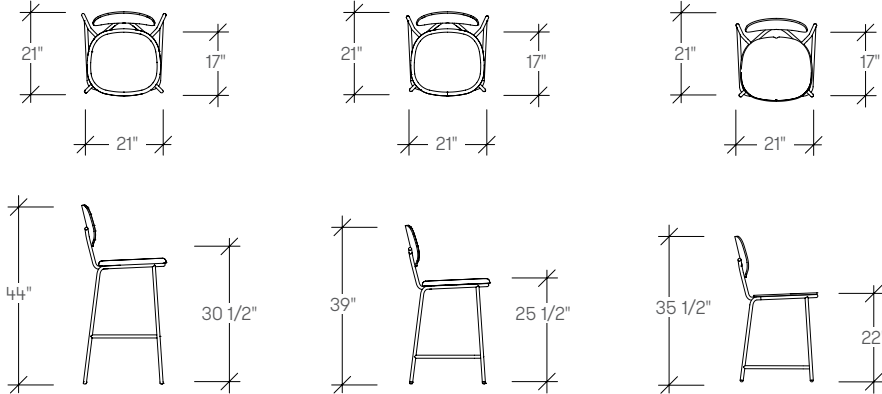
dimensions

- Designed and tested for users up to 300 lbs
- Meets ANSI/BIFMA requirements



Santé Chair,
No Arms
(TKAAN)

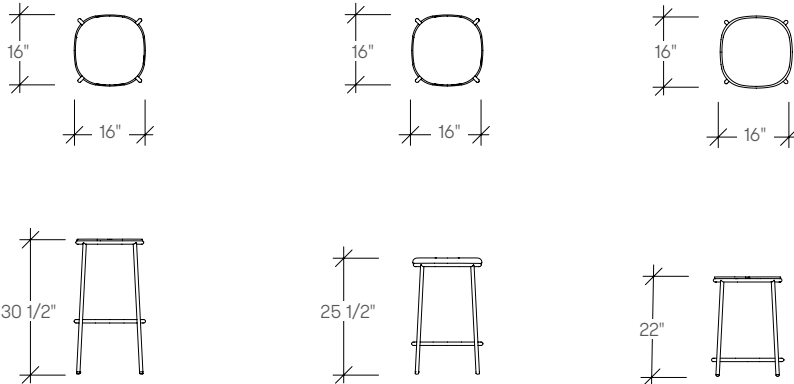
Santé Chair,
With Arms
(TKAAA)



Santé Stool,
Bar Height
(TKAB1)

Santé Stool,
Counter Height
(TKAB2)

Santé Stool,
22" Seat Height
(TKAB3)



Santé Stool without Back,
Bar Height
(TKAC1)

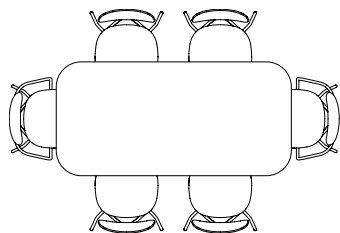
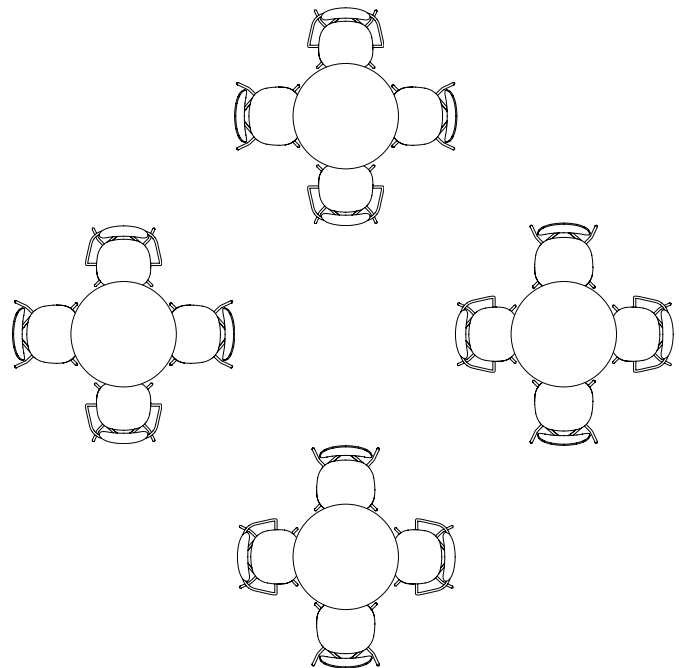
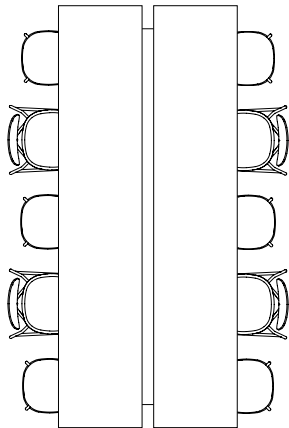
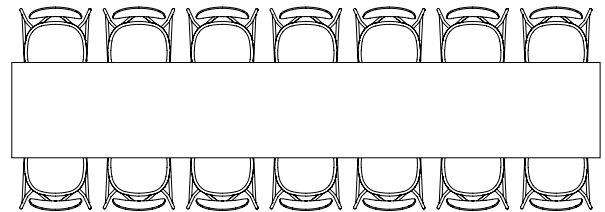
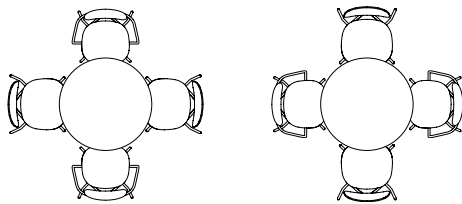
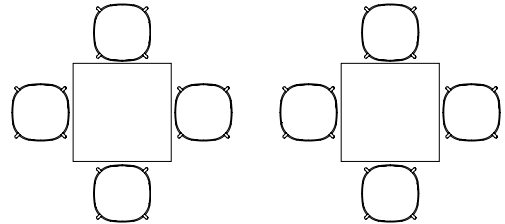
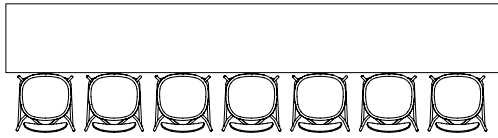
Santé Stool without Back,
Counter Height
(TKAC2)

Santé Stool without Back,
22" Seat Height
(TKAC3)

santé

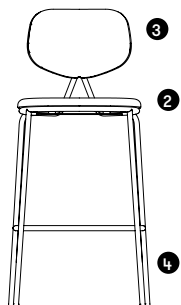
planning

A variety of configurations can be achieved with Santé, allowing for various configurations. The following typical demonstrate the versatility that can be achieved.



specifying santé finishes

The modularity of Santé permits a wide range of fabric combinations that allows for an expressive use of color, texture and material.



- 1 Seat Configuration**
Select the configuration
- 2 Seat Finish**
Select the seat finish
- 3 Back Upholstery**
Select the back finish
- 4 Select Base Finish**
Select base finish

specification example

TKAAAABD Santé Chair, With Arms, Upholstered Seat		
1	Seat fabric Gr.3	1577
2	Back fabric Gr.3	117
3	Base finish Fundamental Paint	0
Total:		\$1694

TKAB1BD Santé Stool with Back, Bar Height, Upholstered Seat, Upholstered Back		
1	Seat fabric Gr.3	1697
2	Back fabric Gr.3	117
3	Base finish Fundamental Paint	0
Total:		\$1814

TKAC1B Santé Stool without Back, Bar Height		
1	Seat fabric Gr.3	1349
2	Base finish Fundamental Paint	0
Total:		\$1349

TKAC1B Santé Stool without Back, Bar Height		
1	Seat fabric Gr.3	1349
2	Base finish Fashion Paint	32
Total:		\$1381

COM/COL material requirement

Yardage is based on a non-patterned fabric. Additional yardage may be required for pattern repeats and the matching required. Leather yield may be affected by the quality of the COL. However, variance in the size of the hides will not affect the yield.

		[yards]	[sq. ft.]
Santé, Chair or Stool	Seat	11/4	22 1/2
	Back	11/4	22 1/2

TKAA **santé chair**

Product Options

Arm Style	Seat Style	Back Style	Seat Finish	Back Finish	Base Finish
N No Arms	A Veneer	C Veneer	Studio Veneer	Studio Veneer	Fundamental Paint
A With Arms	B Upholstered	D Upholstered	Upholstery	Upholstery	Fashion Paint Chrome

Note For Fundamental Paint, add \$0
 For Fashion Paint, add \$32
 For Chrome, add \$126
 Chairs with and without arms may be stacked when not in use. Upholstered chairs stack up to 5 high, veneer chairs stack up to 6 high.



N No Arms
AC Veneer Seat,
 Veneer Back

Seat and Back

Studio
 Veneer

1128



AD Veneer Seat,
 Upholstered Back

Seat
 Studio
 Veneer

1321

Back

COM	COL	Gr.1	Gr.2	Gr.3	Gr.4	Gr.5	Gr.6	Gr.7	Gr.8	Gr.9	Gr.10	Gr.11
0	126	63	92	117	144	166	182	199	221	243	263	288

AD Veneer Seat,
 Upholstered Back

AD Veneer Seat,
 Upholstered Back

Gr.12	Gr.13	Gr.14	Gr.15	Gr.16	Gr.17	Gr.18	Gr.19	Gr.20	Leather LB	LC	LD
316	351	387	421	457	492	528	561	597	379	569	632



N No Arms
BC Upholstered Seat,
 Veneer Back

Seat

COM	COL	Gr.1	Gr.2	Gr.3	Gr.4	Gr.5	Gr.6	Gr.7	Gr.8	Gr.9	Gr.10	Gr.11
1321	1401	1384	1413	1437	1465	1486	1504	1522	1542	1563	1585	1609

BC Upholstered Seat,
 Veneer Back



BD Upholstered Seat,
 Upholstered Back

Seat

COM	COL	Gr.1	Gr.2	Gr.3	Gr.4	Gr.5	Gr.6	Gr.7	Gr.8	Gr.9	Gr.10	Gr.11
1388	1472	1451	1479	1503	1531	1552	1571	1588	1609	1630	1651	1675

BD Upholstered Seat,
 Upholstered Back

Gr.12	Gr.13	Gr.14	Gr.15	Gr.16	Gr.17	Gr.18	Gr.19	Gr.20	Leather LB	LC	LD
1704	1739	1773	1809	1844	1879	1914	1950	1985	1851	2040	2104

Back

COM	COL	Gr.1	Gr.2	Gr.3	Gr.4	Gr.5	Gr.6	Gr.7	Gr.8	Gr.9	Gr.10	Gr.11
0	126	63	92	117	144	166	182	199	221	243	263	288

BD Upholstered Seat,
 Upholstered Back

BD Upholstered Seat,
 Upholstered Back

Gr.12	Gr.13	Gr.14	Gr.15	Gr.16	Gr.17	Gr.18	Gr.19	Gr.20	Leather LB	LC	LD
316	351	387	421	457	492	528	561	597	379	569	632

Pricing is continued on the following page.

TKAA **santé chair (continued)**



A With Arms
AC Veneer Seat,
 Veneer Back

Seat and Back
 Studio
 Veneer

1321



AD Veneer Seat,
 Upholstered Back

Seat
 Studio
 Veneer

1467



A With Arms | B Upholstered Seat
BC Upholstered Seat,
 Veneer Back

Back

COM COL Gr.1 Gr.2 Gr.3 Gr.4 Gr.5 Gr.6 Gr.7 Gr.8 Gr.9 Gr.10 Gr.11

AD Veneer Seat,
 Upholstered Back

0 126 63 92 117 144 166 182 199 221 243 263 288

AD Veneer Seat,
 Upholstered Back

Gr.12	Gr.13	Gr.14	Gr.15	Gr.16	Gr.17	Gr.18	Gr.19	Gr.20	Leather				
									LB	LC	LD		
316	351	387	421	457	492	528	561	597		379	569	632	



BD Upholstered Seat,
 Upholstered Back

Seat

COM COL Gr.1 Gr.2 Gr.3 Gr.4 Gr.5 Gr.6 Gr.7 Gr.8 Gr.9 Gr.10 Gr.11

BC Upholstered Seat,
 Veneer Back

1467 1555 1530 1559 1583 1611 1632 1650 1668 1688 1709 1731 1755

BC Upholstered Seat,
 Veneer Back

Gr.12	Gr.13	Gr.14	Gr.15	Gr.16	Gr.17	Gr.18	Gr.19	Gr.20	Leather				
									LB	LC	LD		
1783	1818	1853	1889	1924	1959	1994	2030	2064		1935	2124	2188	

BD Upholstered Seat,
 Upholstered Back

Seat

COM COL Gr.1 Gr.2 Gr.3 Gr.4 Gr.5 Gr.6 Gr.7 Gr.8 Gr.9 Gr.10 Gr.11

BD Upholstered Seat,
 Upholstered Back

1534 1626 1597 1625 1649 1678 1698 1717 1734 1755 1776 1797 1821

BD Upholstered Seat,
 Upholstered Back

Back

COM COL Gr.1 Gr.2 Gr.3 Gr.4 Gr.5 Gr.6 Gr.7 Gr.8 Gr.9 Gr.10 Gr.11

BD Upholstered Seat,
 Upholstered Back

0	126	63	92	117	144	166	182	199	221	243	263	288	
Gr.12	Gr.13	Gr.14	Gr.15	Gr.16	Gr.17	Gr.18	Gr.19	Gr.20	Leather				
									LB	LC	LD		
316	351	387	421	457	492	528	561	597		379	569	632	

TKAB santé stool with back

Product Options

Height	Seat Style	Back Style	Seat Finish	Back Finish	Base Finish
1 Bar	A Veneer	C Veneer	Studio Veneer	Studio Veneer	Fundamental Paint
2 Counter	B Upholstered	D Upholstered	Upholstery	Upholstery	Fashion Paint
3 22" Seat Height					Chrome

Note Bar and Counter height stools are the same price
 For Fundamental Paint, add \$0
 For Fashion Paint, add \$32
 For Chrome, add \$126

Seat and Back



AC Veneer Seat,
Veneer Back

Studio
Veneer

1394



AD Upholstered Back

Seat
Studio
Veneer

1594



AD Upholstered Back

Back

COM	COL	Gr.1	Gr.2	Gr.3	Gr.4	Gr.5	Gr.6	Gr.7	Gr.8	Gr.9	Gr.10	Gr.11
0	126	63	92	117	144	166	182	199	221	243	263	288

Gr.12	Gr.13	Gr.14	Gr.15	Gr.16	Gr.17	Gr.18	Gr.19	Gr.20	Leather		
									LB	LC	LD
316	351	387	421	457	492	528	561	597	379	569	632

AD Upholstered Back

Seat

BC Upholstered Seat,
Veneer Back

COM	COL	Gr.1	Gr.2	Gr.3	Gr.4	Gr.5	Gr.6	Gr.7	Gr.8	Gr.9	Gr.10	Gr.11
1594	1690	1657	1685	1709	1737	1758	1777	1794	1815	1836	1857	1881

BC Upholstered Seat,
Veneer Back

Gr.12	Gr.13	Gr.14	Gr.15	Gr.16	Gr.17	Gr.18	Gr.19	Gr.20	Leather		
									LB	LC	LD
1910	1945	1979	2015	2050	2085	2120	2156	2191	2069	2258	2322

Seat

BD Upholstered Seat,
Upholstered Back

COM	COL	Gr.1	Gr.2	Gr.3	Gr.4	Gr.5	Gr.6	Gr.7	Gr.8	Gr.9	Gr.10	Gr.11
1660	1760	1723	1752	1776	1804	1825	1843	1861	1881	1902	1924	1948

BD Upholstered Seat,
Upholstered Back

Gr.12	Gr.13	Gr.14	Gr.15	Gr.16	Gr.17	Gr.18	Gr.19	Gr.20	Leather		
									LB	LC	LD
1976	2011	2046	2082	2117	2152	2187	2223	2257	2140	2329	2393

Back

BD Upholstered Seat,
Upholstered Back

COM	COL	Gr.1	Gr.2	Gr.3	Gr.4	Gr.5	Gr.6	Gr.7	Gr.8	Gr.9	Gr.10	Gr.11
0	126	63	92	117	144	166	182	199	221	243	263	288

BD Upholstered Seat,
Upholstered Back

Gr.12	Gr.13	Gr.14	Gr.15	Gr.16	Gr.17	Gr.18	Gr.19	Gr.20	Leather		
									LB	LC	LD
316	351	387	421	457	492	528	561	597	379	569	632

TKAC **santé stool without back**

Product Options

Height	Seat Style	Seat Finish	Base Finish
1 Bar	A Veneer	Studio Veneer	Fundamental Paint
2 Counter	B Upholstered	Upholstery	Fashion Paint
3 22" Seat Height			Chrome

Note Bar and Counter height stools are the same price
 For Fundamental Paint, add \$0
 For Fashion Paint, add \$32
 For Chrome, add \$126



A Veneer Seat

Seat
 Studio
 Veneer
 1162



B Upholstered Seat

Seat

COM	COL	Gr.1	Gr.2	Gr.3	Gr.4	Gr.5	Gr.6	Gr.7	Gr.8	Gr.9	Gr.10	Gr.11
1295	1372	1358	1386	1410	1439	1460	1478	1495	1516	1537	1559	1583



B Upholstered Seat

Gr.12	Gr.13	Gr.14	Gr.15	Gr.16	Gr.17	Gr.18	Gr.19	Gr.20	Leather		
									LB	LC	LD
1611	1646	1681	1717	1752	1787	1821	1857	1892	1752	1941	2005