

what are kiosks

A transformative shift is underway at the office.

The advent of hybrid work models now requires a workplace more agile and adaptable than ever and an environment more welcoming and inclusive, one that invites people to come together to work.

Kiosk is a collection of freestanding modules that define work hubs and distribute collaborative tools across the office. Suitable for training, meeting, work spaces or lounge areas, Kiosk stands at the intersection of furniture and architecture.



FLEXIBILITY

- Modular and maneuverable
- Ability to make and unmake a space

100% PARTICIPATION

- Analog and digital tools
- Promotes interaction between in person and virtual participants

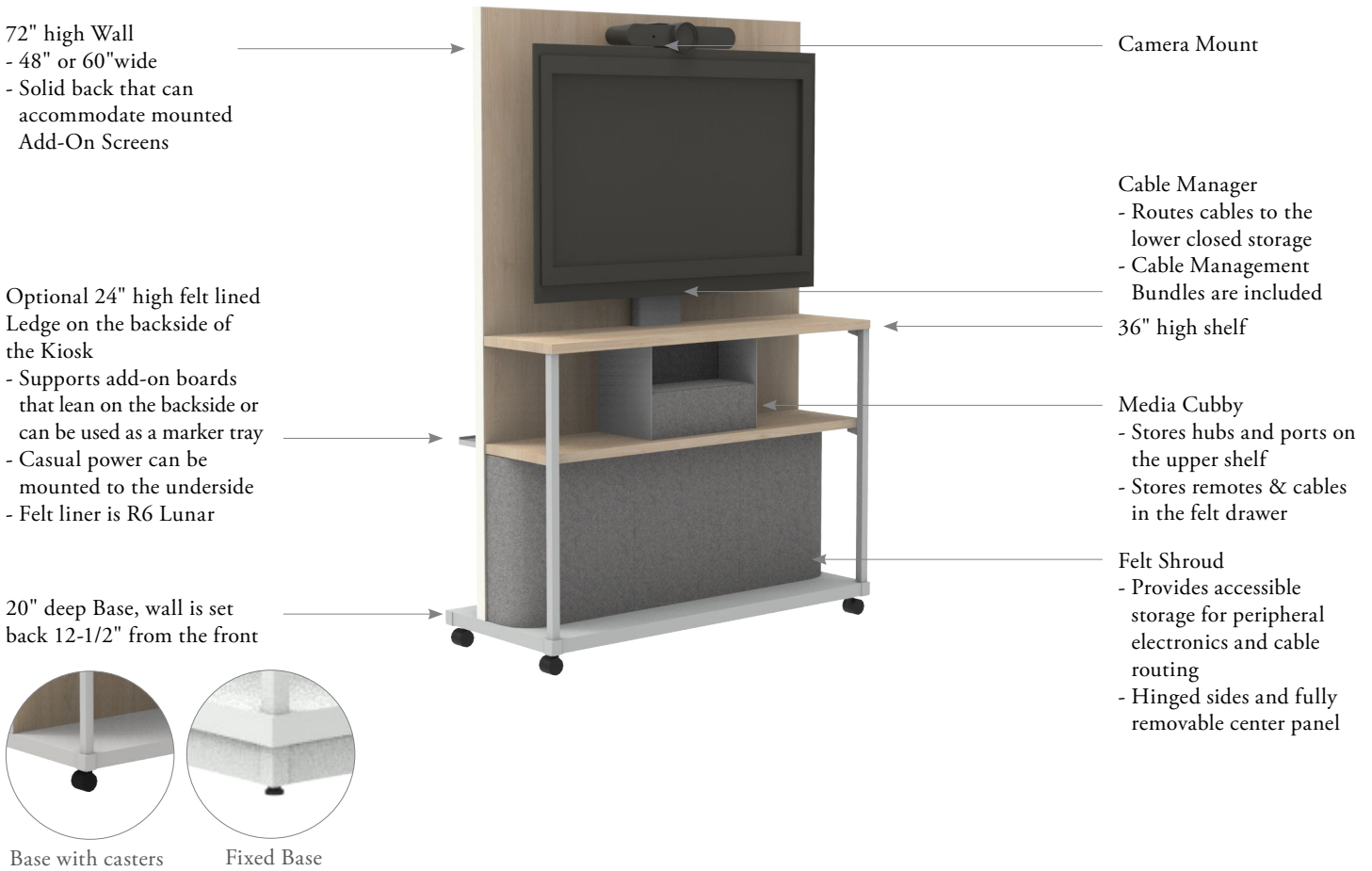
CHOICES

- A curated finish palette to provide a neutral backdrop
- Simple options and add-ons

kiosks

media kiosk (HDWT) / fixed media kiosk (HDWTQ)

Media Kiosks support TVs and optional mounted cameras and provide storage for digital equipment. They are ideal in meeting and workshop spaces.



PRODUCT OPTIONS

Height	Width	Configuration	Ledge on Back	Wall Finish	Wall Edge Trim Finish	Base Finish	Shelf Finish	Frame Finish	Felt Finish
72	48, 60	T TV Mount	N No Ledge Y With Ledge	Foundation Laminate 5D Whiteboard Laminate	Edge Trim Colors	Foundation Laminate	Foundation Laminate Gr.2 Laminate	Foundation Mica Accent	Smooth Felt

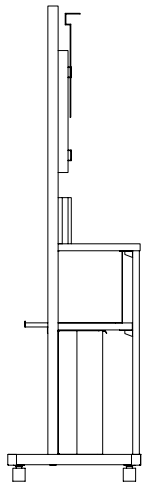
PRICING

Code	Dimensions	Price
HDWT / HDWTQ	72"h x 48"w	3151
HDWT / HDWTQ	72"h x 60"w	3483

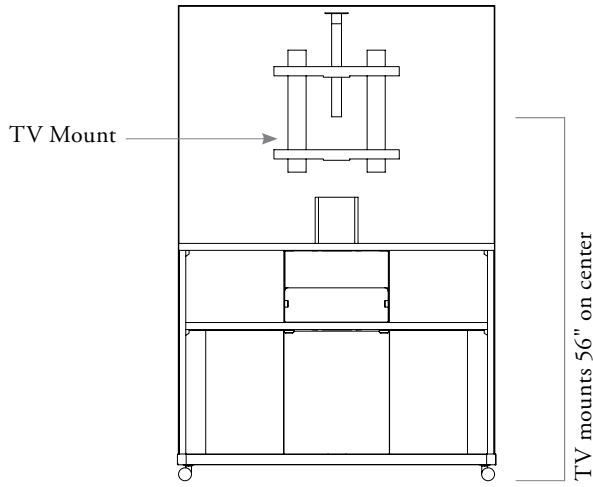
- If Whiteboard Laminate is specified, add 144
- If Grade 2 Laminate Shelf is specified: for 48" wide, add 73
for 60" wide, add 97
- If Back Ledge option is specified: for 48" wide, add 60
for 60" wide, add 73
- If Mica/Accent is specified, add 36

kiosks

media kiosk (HDWT) / fixed media kiosk (HDWTQ) (continued)



Side View



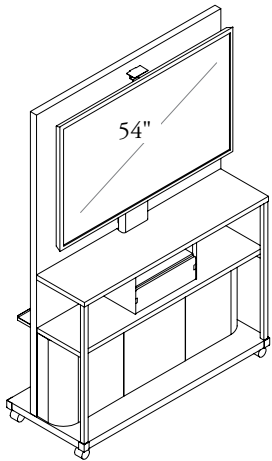
Front View

TV Mount

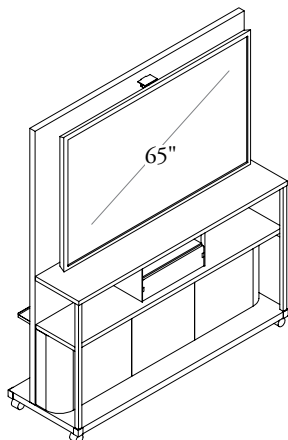
TV mounts 56" on center

MAXIMUM TV SIZE

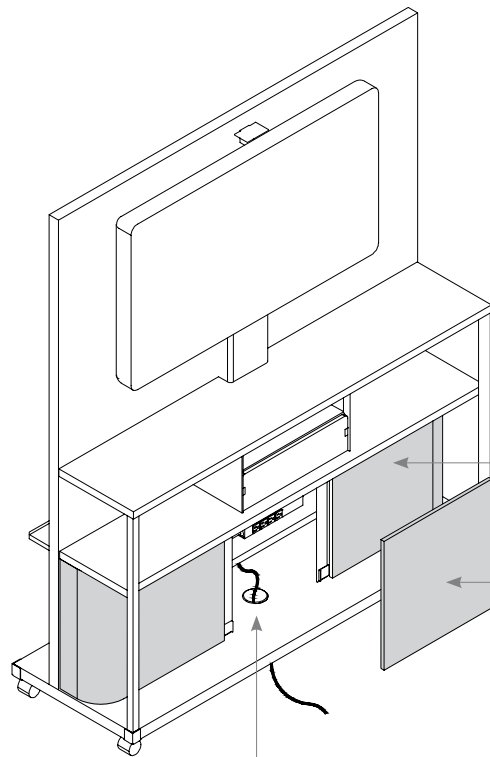
POWER AND DATA



48" wide Kiosk can accommodate a 54" television



60" wide Kiosk can accommodate a 65" television



Felt doors on either side are hinged to allow full access to the storage area

A fully removable felt center panel allows access to cables and storage

Cables route from the TV, through the cable manager to a power bar inside of the storage area.
 - The power bar cord then routes to the floor through a grommet in the base

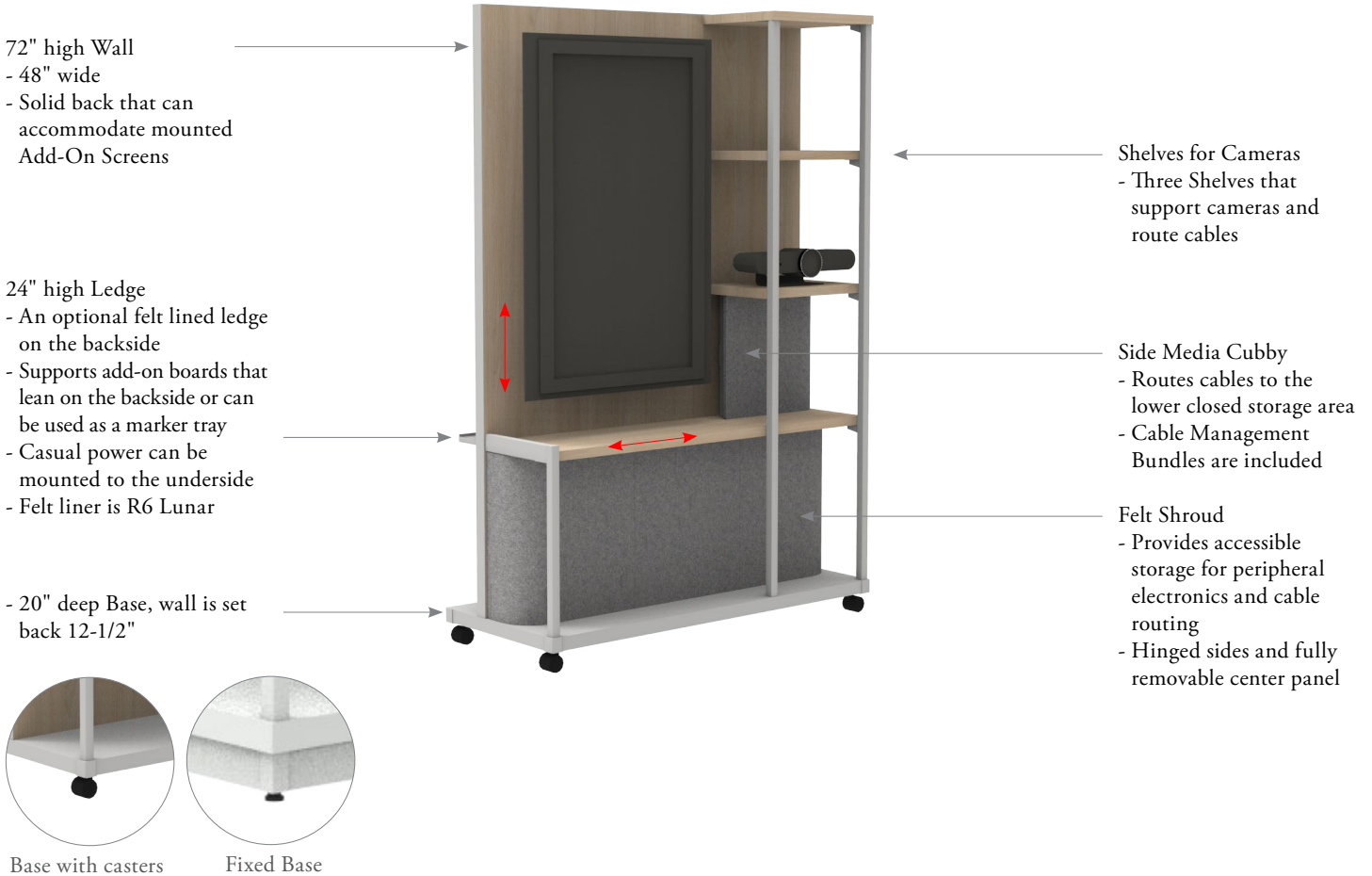
kiosks

media chat kiosk (HDWU) / fixed media chat kiosk (HDWUQ)

Media Chat Kiosks allow remote users to fully participate in gatherings.

Remote users are visible on the TV, and the Kiosk has cameras that move through the space allowing the users to view any activity in the space.

It includes storage for digital equipment.



PRODUCT OPTIONS

Height	Width	Orientation	Ledge on Back	Wall Finish	Wall Edge Trim Finish	Base Finish	Shelf Finish	Frame Finish	Felt Finish
72	48	L Left R Right	N No Ledge Y With Ledge	Foundation Laminate 5D Whiteboard Laminate	Edge Trim Colors	Foundation Laminate	Foundation Laminate Gr.2 Laminate	Foundation Mica Accent	Smooth Felt

PRICING

Code	Dimensions	Price
HDWV / HDWQ	72"h x 48"w	3212

If Whiteboard Laminate is specified, add 144

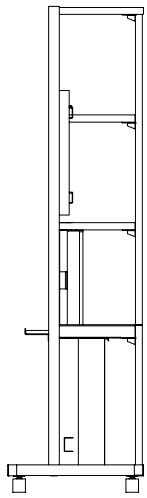
If Grade 2 Laminate Shelf is specified, add 144

If Back Ledge option is specified, add 60

If Mica/Accent is specified, add 36

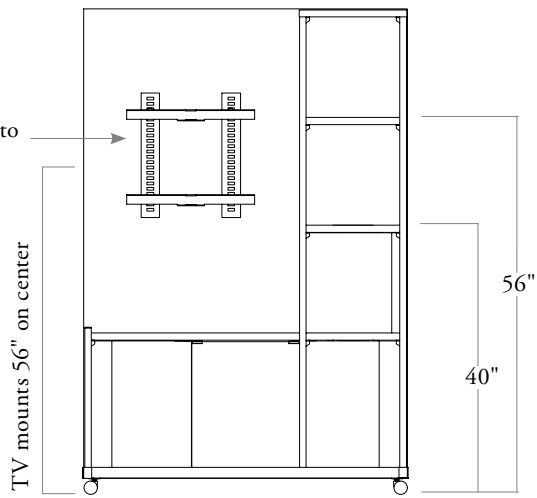
kiosks

media chat kiosk (HDWU) / fixed media chat kiosk (HDWUQ) (continued)



Side View

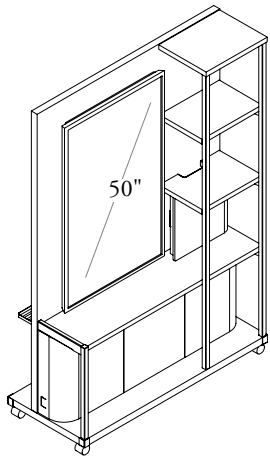
TV Mount allows the TV's to be mounted vertically



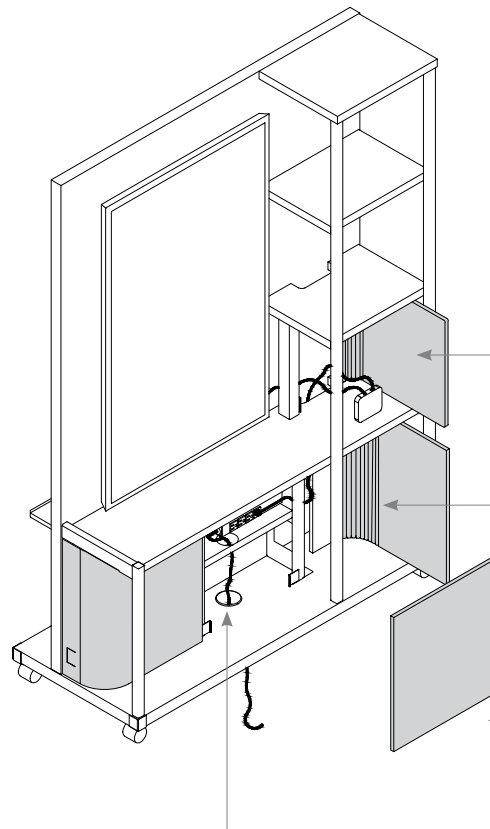
Front View

MAXIMUM TV SIZE

POWER AND DATA



The 48" wide Kiosk can accommodate a 50" television



A felt door conceals the side media cubby.
- cubby accommodates USB and power access

The felt doors on either side are hinged to allow full access to the storage area

A fully removable felt center panel allows access to cables and storage

Cables route from the TV and Side Media Cubby, through the cable manager to a power bar inside of the storage area.
- the power bar cord then routes to the floor through a grommet in the base

kiosks

gallery kiosk (HDWD) / fixed gallery kiosk (HDWDQ)

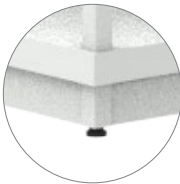
Gallery Kiosks include two whiteboards that lift and drop onto a frame to provide an analog meeting experience.

When not in use the screens are stored in the open section of the Kiosk.

Tackable screens can be ordered separately.



Base with casters



Fixed Base

PRODUCT OPTIONS

Height	Width	Orientation	Ledge on Back	Wall Finish	Wall Edge Trim Finish	Base Finish	Shelf Finish	Frame Finish
72	48	L Left R Right	N No Ledge Y With Ledge	Foundation Laminate 5D Whiteboard Laminate	Edge Trim Colors	Foundation Laminate	Foundation Laminate Gr.2 Laminate	Foundation Mica Accent

PRICING

Code	Dimensions	Price
HDWD / HDWDQ	72" h x 48" w	3218

If Whiteboard Laminate is specified, add 144

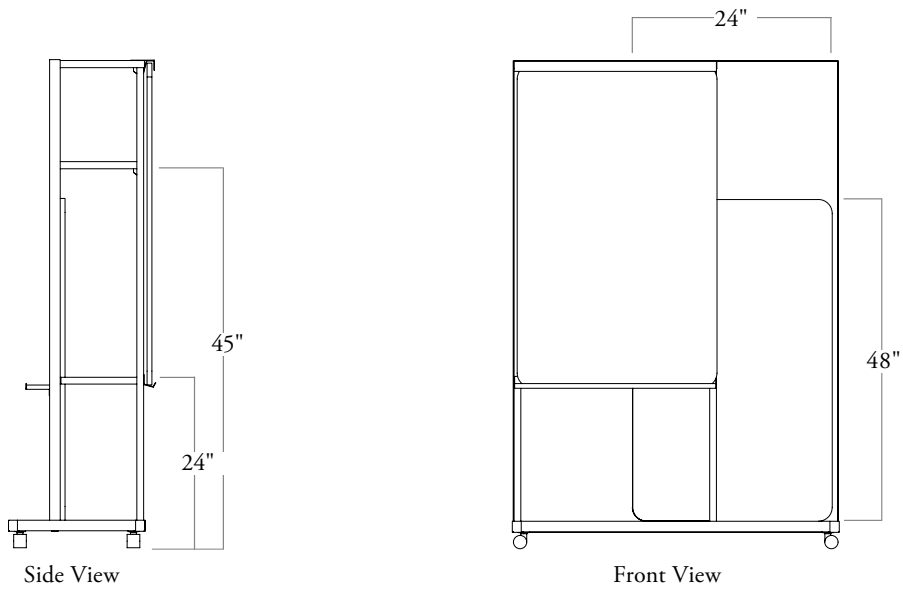
If Grade 2 Laminate Shelf is specified, add 97

If Back Ledge option is specified, add 60

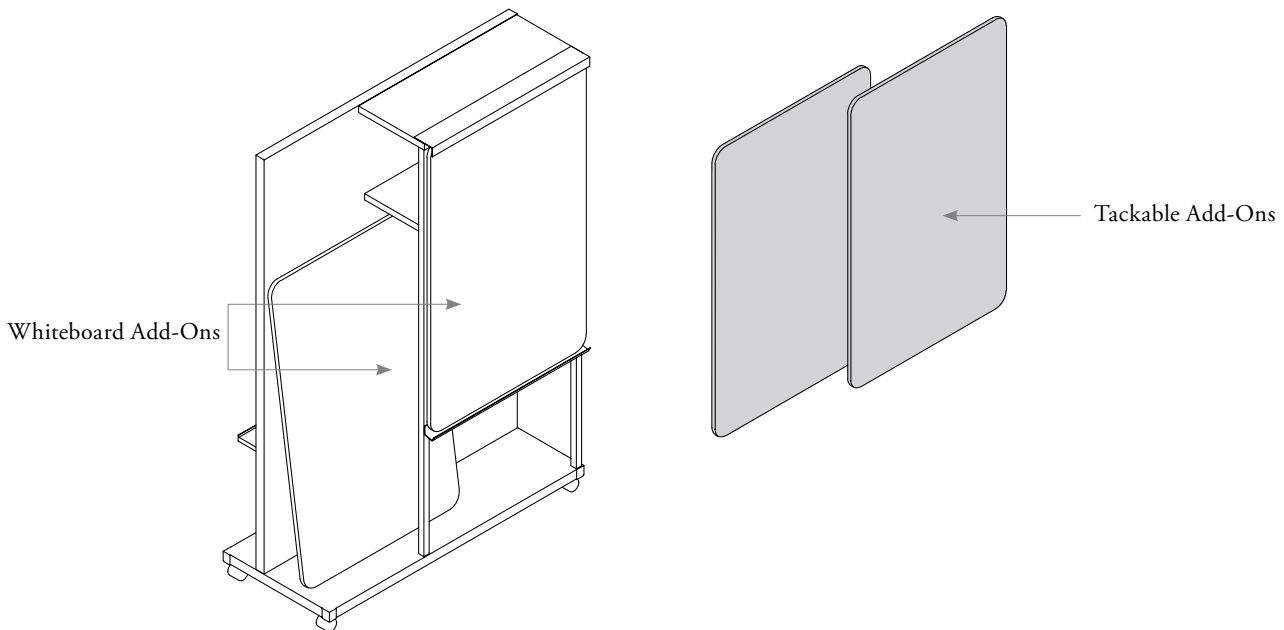
If Mica/Accent is specified, add 36

kiosks

gallery kiosk (HOWD) / fixed gallery kiosk (HOWDD) (continued)



The Gallery Kiosk can accommodate both whiteboard and tackable add-ons.
Two whiteboard add-ons are included, and tackable add-ons are ordered separately.



kiosks

mudroom kiosk (HDWS) / fixed mudroom kiosk (HDWSQ)

Mudroom Kiosks provide coat and bag storage and additional storage shelves. They are ideal in social and collaborative area.

72" high Wall

- 48" wide

- Solid back that can accommodate mounted Add-On Screens

Hooks

- Three dual coat/bag hooks
- Hooks color will match with selected frame color

24" deep Ledge

- An optional felt lined ledge on the backside
- Supports add-on boards that lean on the backside or can be used as a marker tray
- Casual power can be mounted to the underside
- Felt liner is R6 Lunar

20" deep Base, wall is set back 12-1/2"



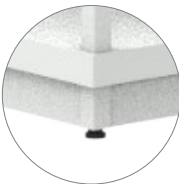
Felt Storage Front

Cubbies
- Three cubby areas

Power and USB Option
- Can accommodate optional USB ports, power bars and cable managers mounted to shelf bottoms



Base with casters



Fixed Base

PRODUCT OPTIONS

Height	Width	Orientation	Ledge on Back	Wall Finish	Wall Edge Trim Finish	Base Finish	Shelf Finish	Frame Finish	Felt Finish
72	48	L Left R Right	N No Ledge Y With Ledge	Foundation Laminate 5D Whiteboard Laminate	Edge Trim Colors	Foundation Laminate	Foundation Laminate Gr.2 Laminate	Foundation Mica Accent	Smooth Felt

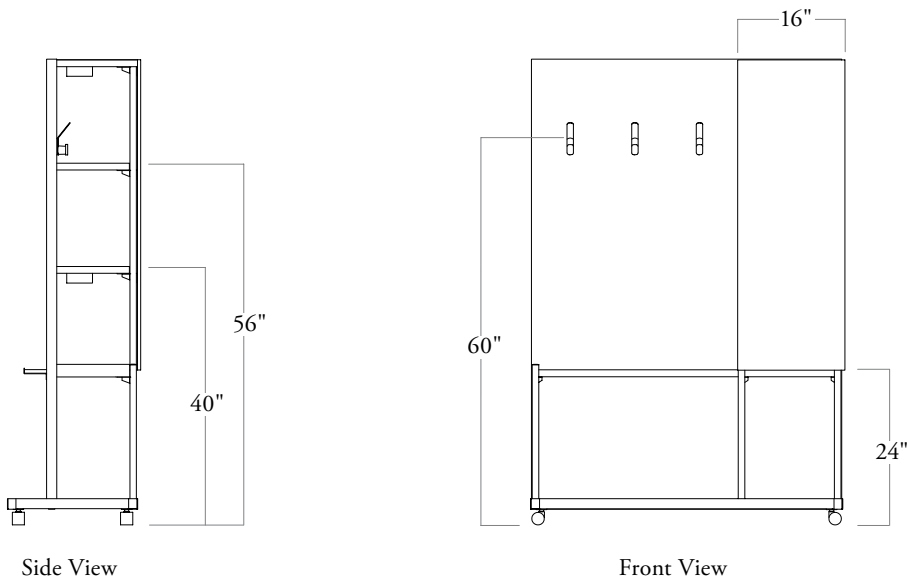
PRICING

Code	Dimensions	Price
HDWS / HDWSQ	72" h x 48" w	2947

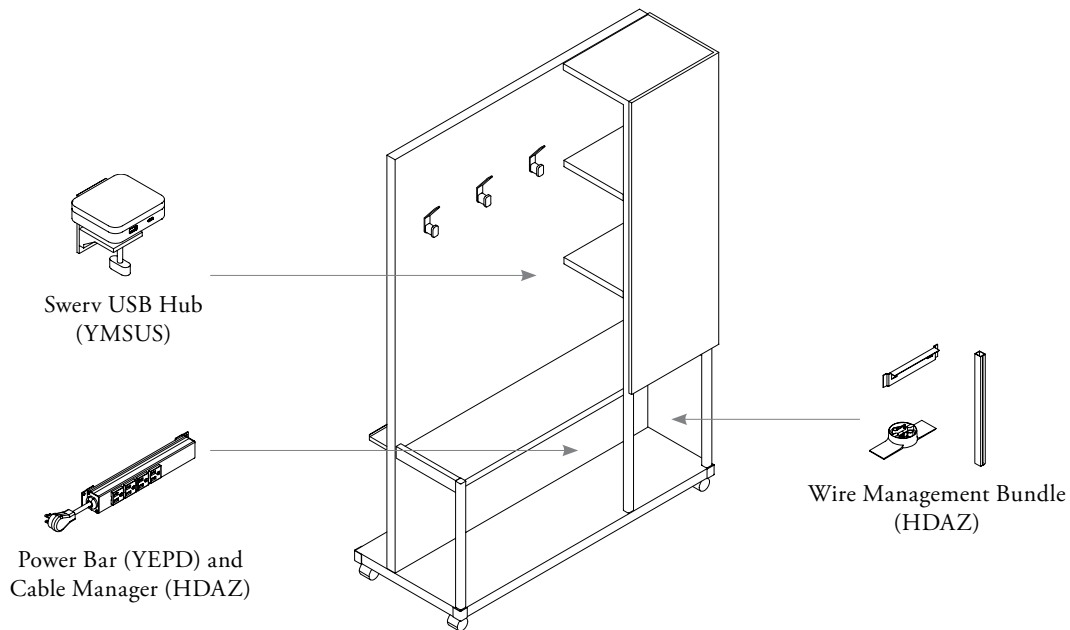
If Whiteboard Laminate is specified, add 144
If Grade 2 Laminate Shelf is specified, add 144
If Back Ledge option is specified, add 60
If Mica/Accent is specified, add 36

kiosks

mudroom kiosk (HDWS) / fixed mudroom kiosk (HDWSQ) (continued)



The Mudroom Kiosk can accommodate USB Ports and Power Bars that mount below shelves.
The Wire Management Bundle routes cables to the floor.
All components are ordered separately.



kiosks

servery kiosk (HDWG) / fixed servery kiosk (HDWGQ)

Servery Kiosks provide a shelf for refreshments, options for power and USB and a cubby for storing small items.

- 72" high Wall
- 48" wide
- Solid back that can accommodate mounted Add-On Screens on either side

- Cubby with Felt Liner
- Stores small items in either the open or closed section
- Available in all five Felt Colors

- 24" high Ledge
- An optional felt lined ledge on the backside
- Supports add-on boards that lean on the backside or can be used as a marker tray
- Casual power can be mounted to the underside
- Felt liner is R6 Lunar



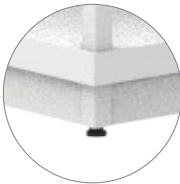
36" high shelf

- Lower Shelf
- Includes power pass through for optional power
- Can accommodate USB ports, or a power bar

20" deep base, wall is set back 12-1/2"



Base with casters



Fixed Base

PRODUCT OPTIONS

Height	Width	Configuration	Ledge on Back	Wall Finish	Wall Edge Trim Finish	Base Finish	Shelf Finish	Frame Finish	Felt Finish
72	48	O Open	N No Ledge Y With Ledge	Foundation Laminate 5D Whiteboard Laminate	Edge Trim Colors	Foundation Laminate	Foundation Laminate Gr.2 Laminate	Foundation Mica Accent	Smooth Felt

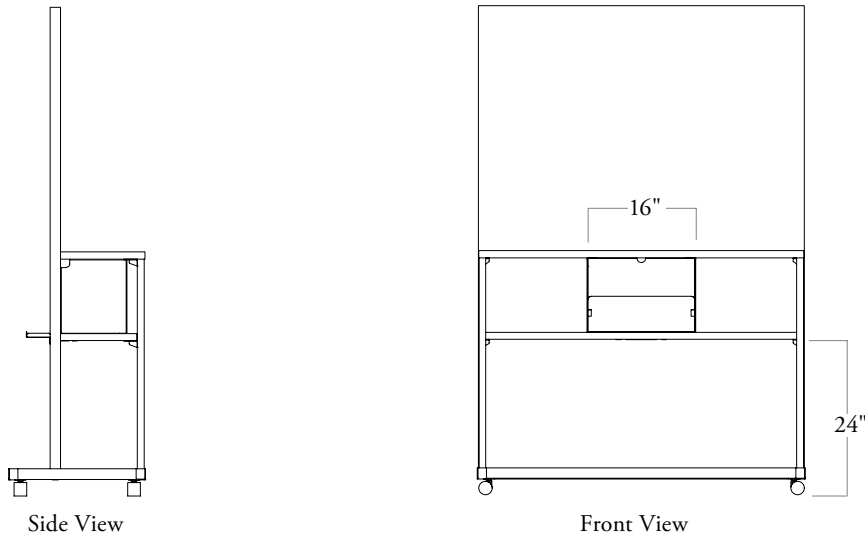
PRICING

Code	Dimensions	Price
HDWG / HDWGQ	72"h x 48"w	2682

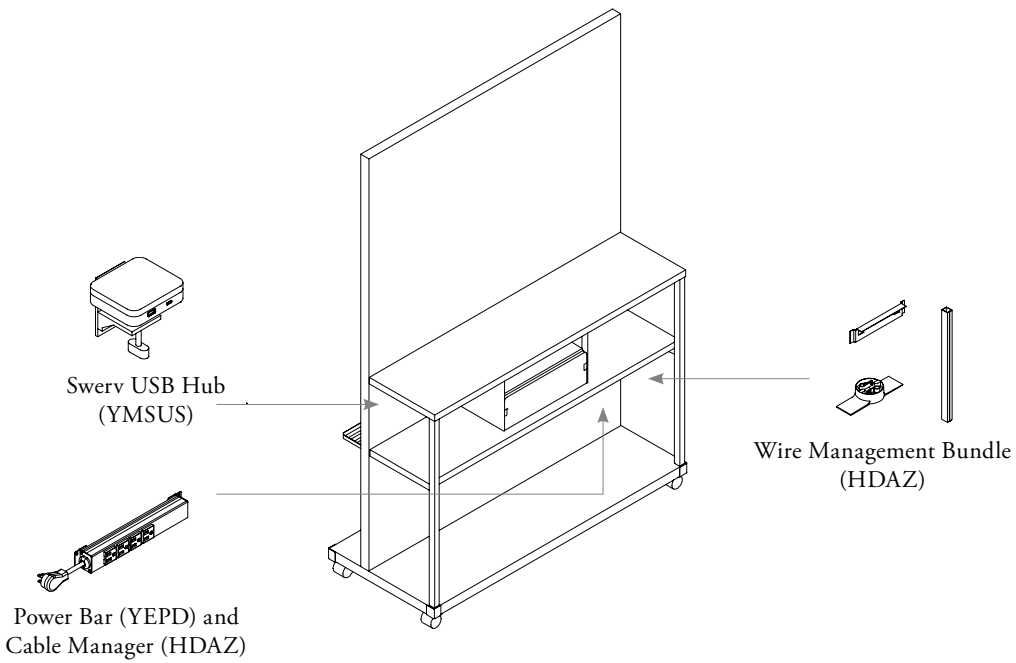
- If Whiteboard Laminate is specified, add 144
- If Grade 2 Laminate Shelf is specified, add 121
- If Back Ledge option is specified, add 60
- If Mica/Accent is specified, add 36

kiosks

server kiosk (HDWG) / fixed server kiosk (HDWGQ) (continued)



The Server Kiosk can accommodate USB Ports and Power Bars that mount below shelves.
The Wire Management Bundle routes cables to the floor.
All components are ordered separately.



kiosks

storage kiosk (HDWB) / fixed storage kiosk (HDWBQ)

Storage Kiosks provide open and closed storage and the ability to mount framed fascias for additional functionality.

72" high Wall
 - 48" wide
 - Solid back that can accommodate mounted Add-On Screens on either side

24" high Ledge
 - 48" wide
 - An optional felt lined ledge on the backside
 - Supports add-on boards that lean on the backside or can be used as a marker tray
 - Casual power can be mounted to the underside
 - Felt liner is R6 Lunar

20" d. Base, wall is set back 12-1/2"



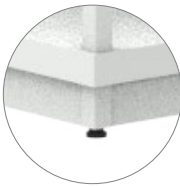
36" high shelf

Open cubby storage

Hinged door closed storage



Base with casters



Fixed Base

PRODUCT OPTIONS

Height	Width	Configuration	Ledge on Back	Wall Finish	Wall Edge Trim Finish	Base Finish	Shelf Finish	Frame Finish	Case Finish
72	48, 60	C Cubby	N No Ledge Y With Ledge	Foundation Laminate 5D Whiteboard Laminate	Edge Trim Colors	Foundation Laminate	Foundation Laminate Gr.2 Laminate	Foundation Mica Accent	Source Laminate

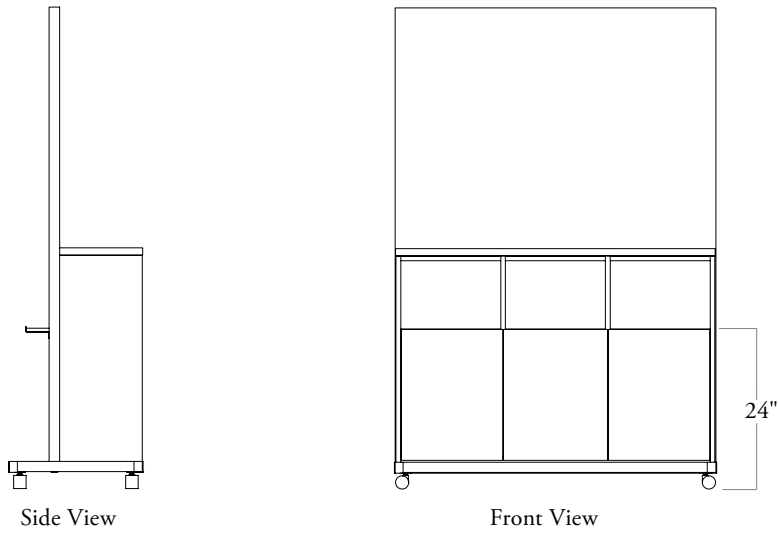
PRICING

Code	Wall, Foundation Laminate
HDWB / HDWBQ	3218

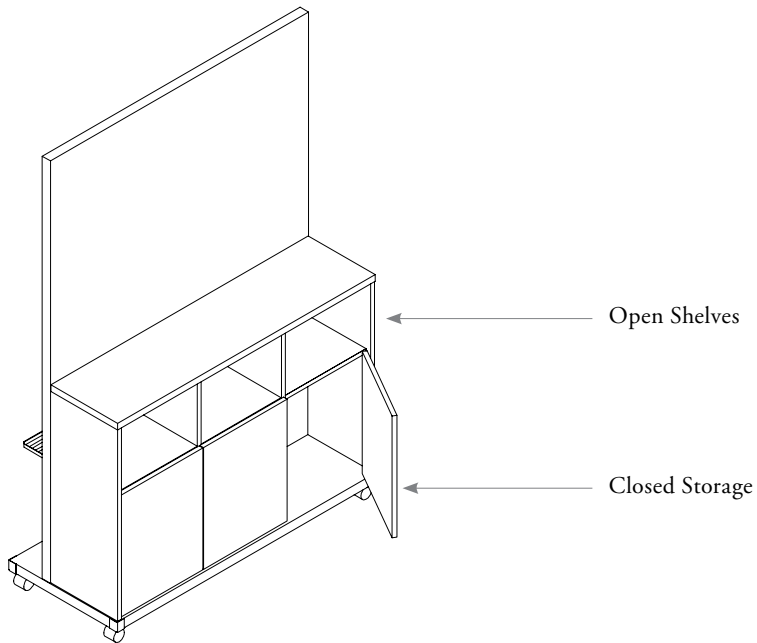
If Whiteboard Laminate is specified, add 144
 If Grade 2 Laminate Shelf is specified, add 73
 If Back Ledge option is specified, add 60
 If Mica/Accent is specified, add 36

kiosks

storage kiosk (H0WB) / fixed storage kiosk (H0WBQ) (continued)



The Storage Kiosk provides both closed and open storage.



kiosks

counter storage kiosk (HDWC) / fixed counter storage kiosk (HDWCQ)

Counter Storage Kiosk can be utilized as a space-saving and versatile storage solution, providing easy access to office supplies and serving as a convenient workspace for various tasks.

Always 36" high x 48" wide x 20" deep

Outer Case & Shelf
- Foundation Laminate
- Grade 2 Laminate

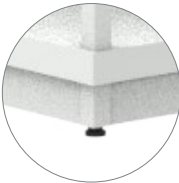


- Configuration with Cubby and Drawer
- Accent Felt Options

- Dual-sided, six Push latch hinged doors for easy access.
- Cabinets are finished in Source Laminate



Base with casters



Fixed Base

PRODUCT OPTIONS

Height	Width	Upper Configuration	Outer Case & Shelves Finish	Base Finish	Felt Accent	Frame Finish	Cabinet Finish
36	48	A Open B Cubby and Drawer	Foundation Laminate Gr.2 Laminate	Foundation Laminate	Smooth Felt	Foundation Mica Accent	Source Laminate

PRICING

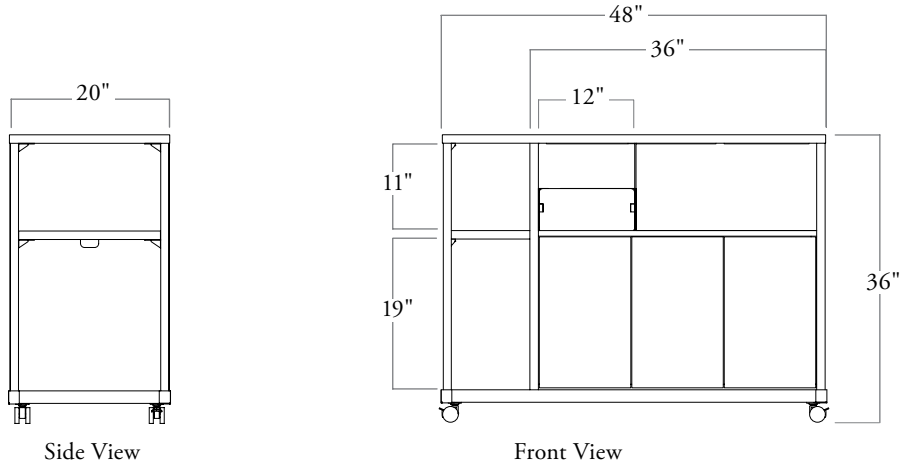
Code	Open	Cubby and Drawer
HDWC / HDWCQ	2998	3058

If Outer Case & Shelves, Grade 2 Laminate is specified, add 514

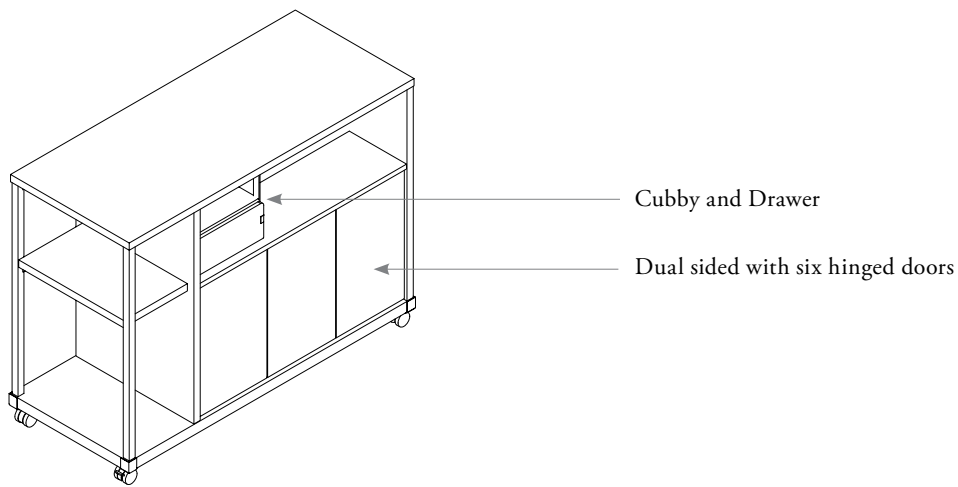
If Mica/Accent is specified, add 36

kiosks

counter storage kiosk (HDWC) / fixed counter storage kiosk (HDWCQ) (continued)



Counter Storage Kiosk provides both open and closed storage that can be accessed from both sides.



kiosks

recycle kiosk (HDWR) / fixed recycle kiosk (HDWRQ)

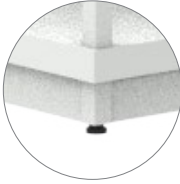
Recycle Kiosks provide three bins for recycling and the ability to mount framed fascias for additional functionality.

72" high Wall
 - 60" wide
 - Solid back that can accommodate mounted Add-On Screens on either side

24" high Ledge
 - An optional felt lined ledge on the backside
 - Supports add-on boards that lean on the backside or can be used as a marker tray
 - Casual power can be mounted to the underside
 - Felt liner is R6 Lunar



Base with casters



Fixed Base



36" high shelf
 Three recycle bins with metal bin covers
 Metal bin covers finish will match with selected frame color
 Hinged closed storage

- Optional metal recycle symbols (Paper, Recycle and Waste)
 - Recycle symbols color will match with selected frame color



Paper



Recycling



Waste

PRODUCT OPTIONS

Height	Width	Configuration	Ledge on Back	Wall Finish	Wall Edge Trim Finish	Base Finish	Shelf Finish	Frame Finish	Case Finish
72	60	N Bins without Recycle symbols Y Bins with Recycle symbols	N No Ledge Y With Ledge	Foundation Laminate 5D Whiteboard Laminate	Edge Trim Colors	Foundation Laminate	Foundation Laminate Gr.2 Laminate	Foundation Mica Accent	Source Laminate

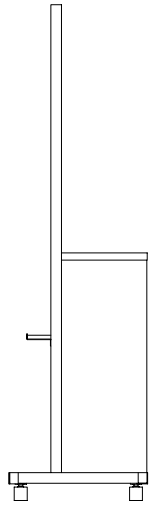
PRICING

Code	Dimensions	Price (without recycle symbols)
HDWR / HDWRQ	72"h x 60"w	3483

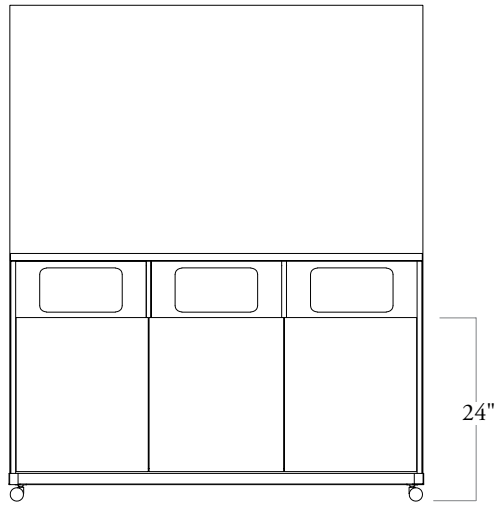
If Whiteboard Laminate is specified, add 144
 If Grade 2 Laminate Shelf is specified, add 97
 If Back Ledge option is specified, add 73
 If Recycle Symbols is specified, add 47
 If Mica/Accent is specified, add 36

kiosks

recycle kiosk (HDWR) / fixed recycle kiosk (HDWRQ) (continued)

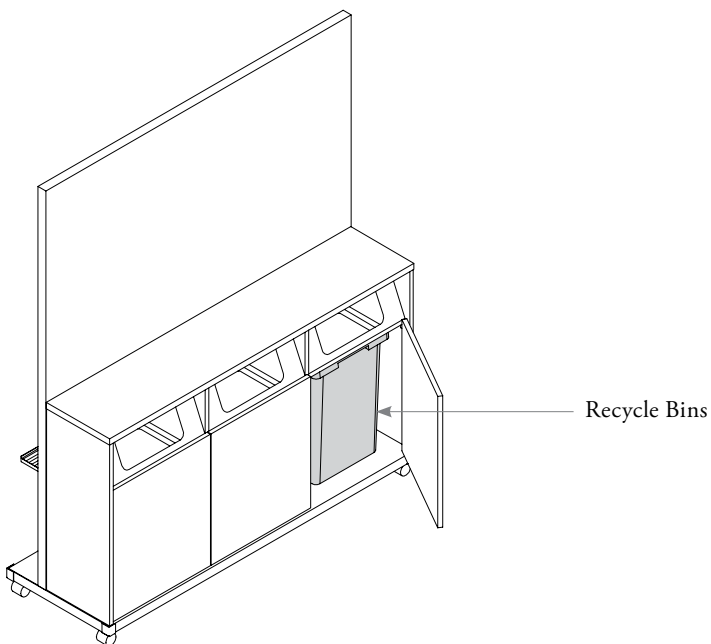


Side View



Front View

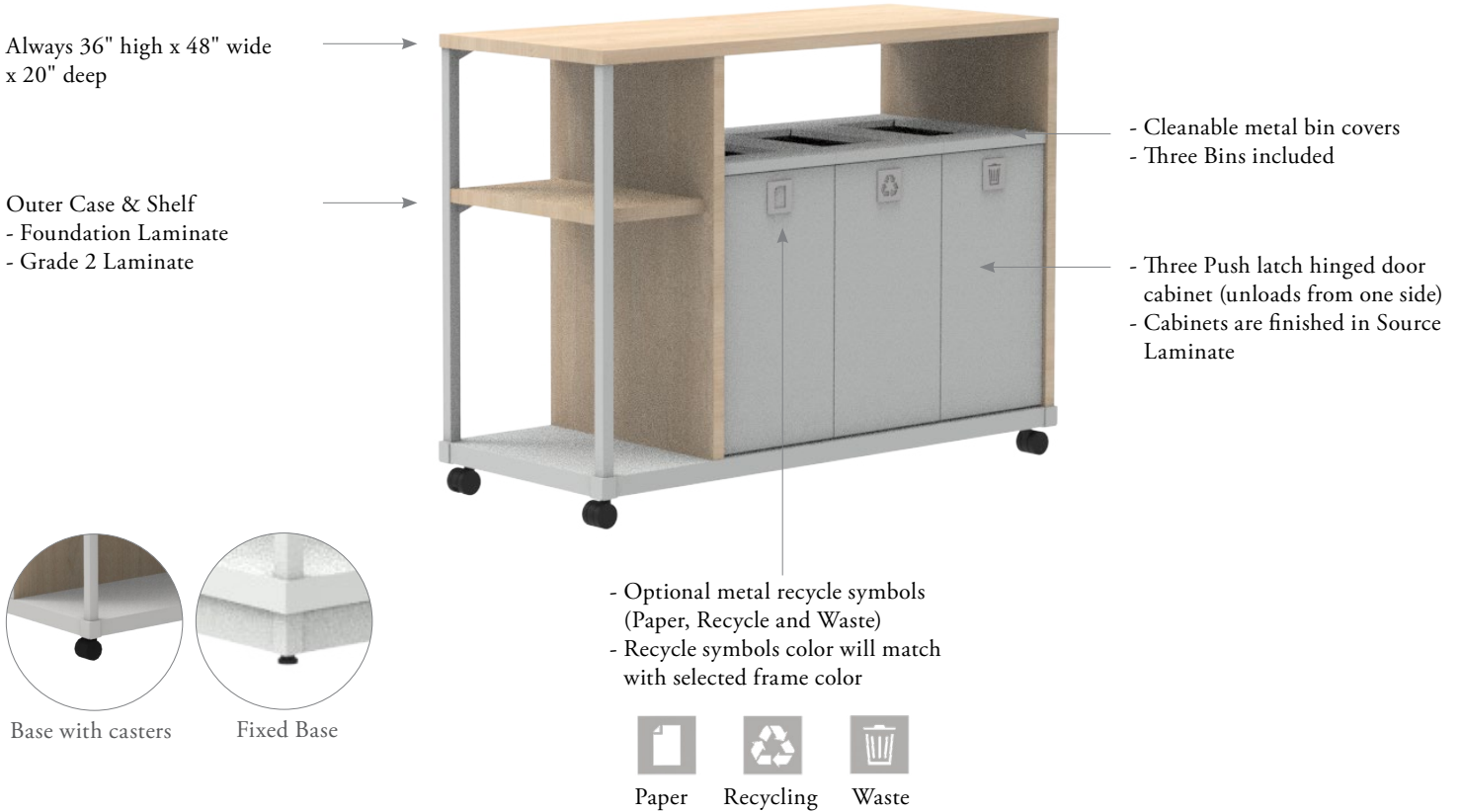
The Recycle Kiosk includes three bins.



kiosks

counter recycle kiosk (HDWW) / fixed counter recycle kiosk (HDWWQ)

Counter Recycle Kiosk offers a user-friendly solution for waste separation and recycling in public spaces and offices, promoting eco-friendly practices with easy accessibility.



PRODUCT OPTIONS

Height	Width	Configuration	Outer Case & Shelves Finish	Base Finish	Bins Cover Finish	Frame Finish	Cabinet Finish
36	48	N Bins without Recycle symbols Y Bins with Recycle symbols	Foundation Laminate Gr.2 Laminate	Foundation Laminate	Foundation Mica Accent	Foundation Mica Accent	Source Laminate

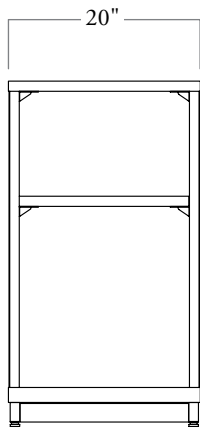
PRICING

Code	Dimensions	Price (without recycle symbols)
HDWW / HDWWQ	36"h x 48"w	2966

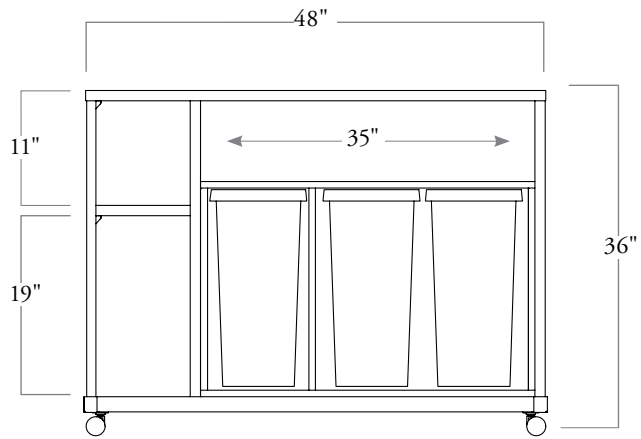
If Outer Case & Shelves, Grade 2 Laminate is specified, add 514
 If Recycle Symbols is specified, add 47
 If Bins Cover Mica/Accent is specified, add 36

kiosks

counter recycle kiosk (H0WW) / fixed counter recycle kiosk (H0WWQ) (continued)

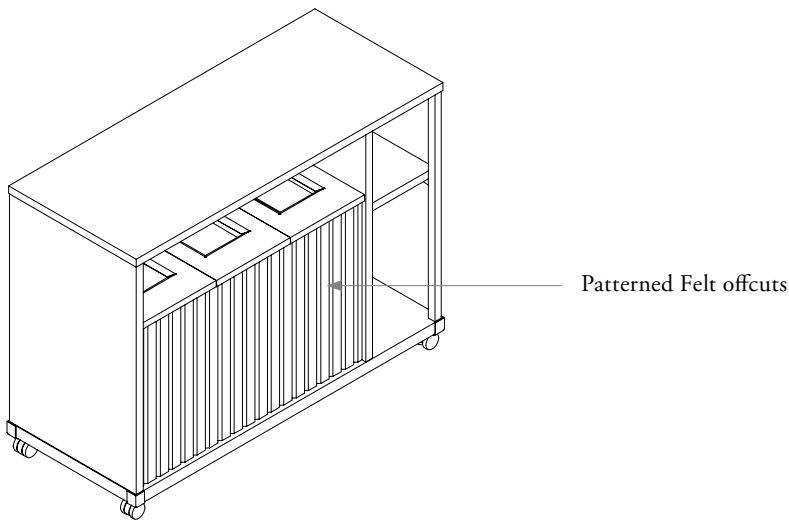


Side View



Front View

The Counter Recycle Kiosk includes three bins. Backside includes a three patterned felt offcuts.

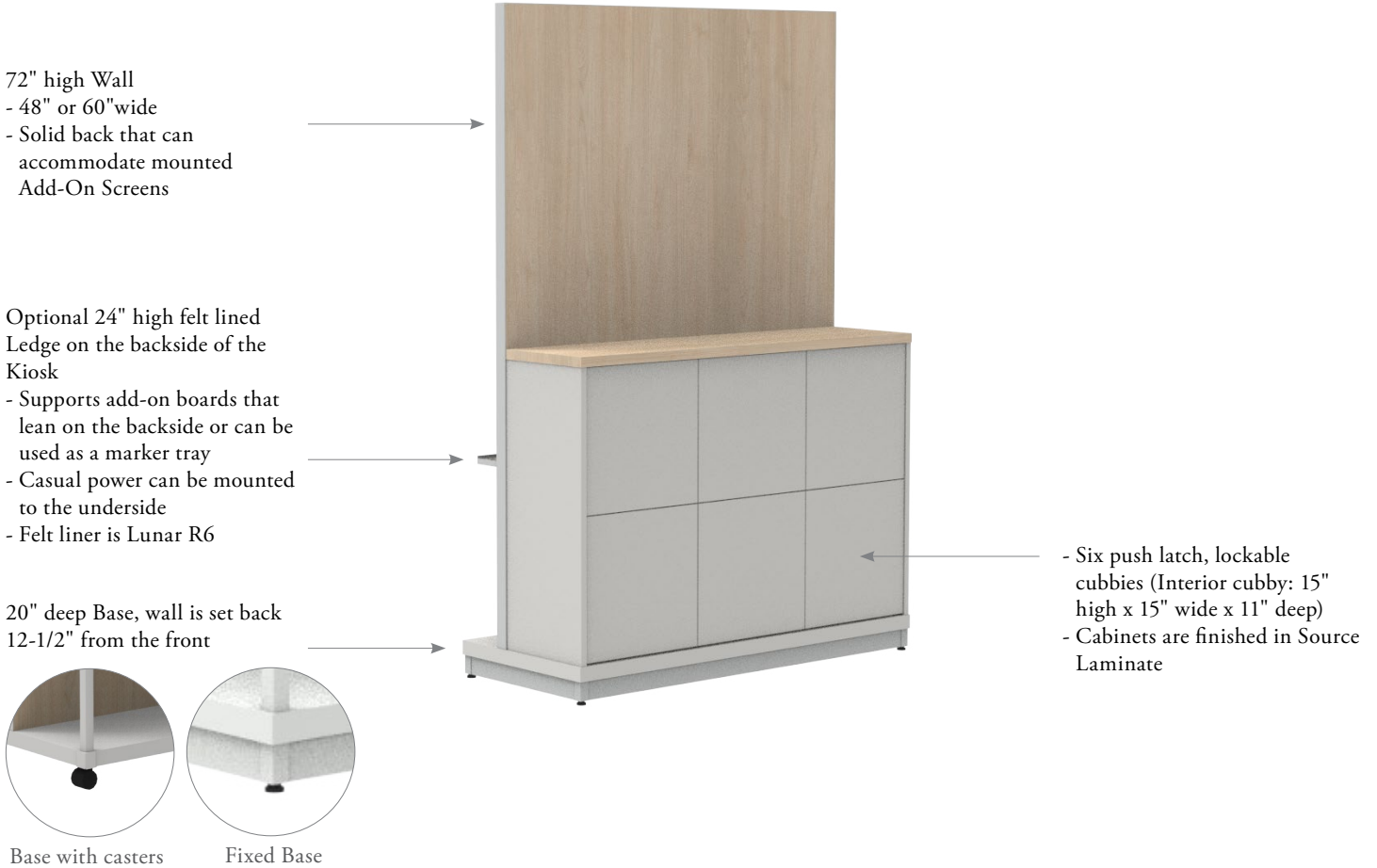


Back View

kiosks

locker kiosk (HDWL) / fixed locker kiosk (HDWLQ)

Locker Kiosk featuring six lockable cubbies, providing a secure and organized solution for conveniently storing personal items and supplies.



PRODUCT OPTIONS

Height	Width	Configuration	Back Configuration	Wall Finish	Wall Edge Trim Finish	Base Finish	Shelf Finish	Frame Finish	Cabinet Finish	Key
72	48, 60	L Hinged Door, Left Open R Hinged Door, Right Open	N No Ledge Y With Ledge	Foundation Laminate 5D Whiteboard Laminate	Edge Trim Colors	Foundation Laminate	Foundation Laminate Gr.2 Laminate	Foundation Mica Accent	Source Laminate	N No Lock K Key Alike R Key Random

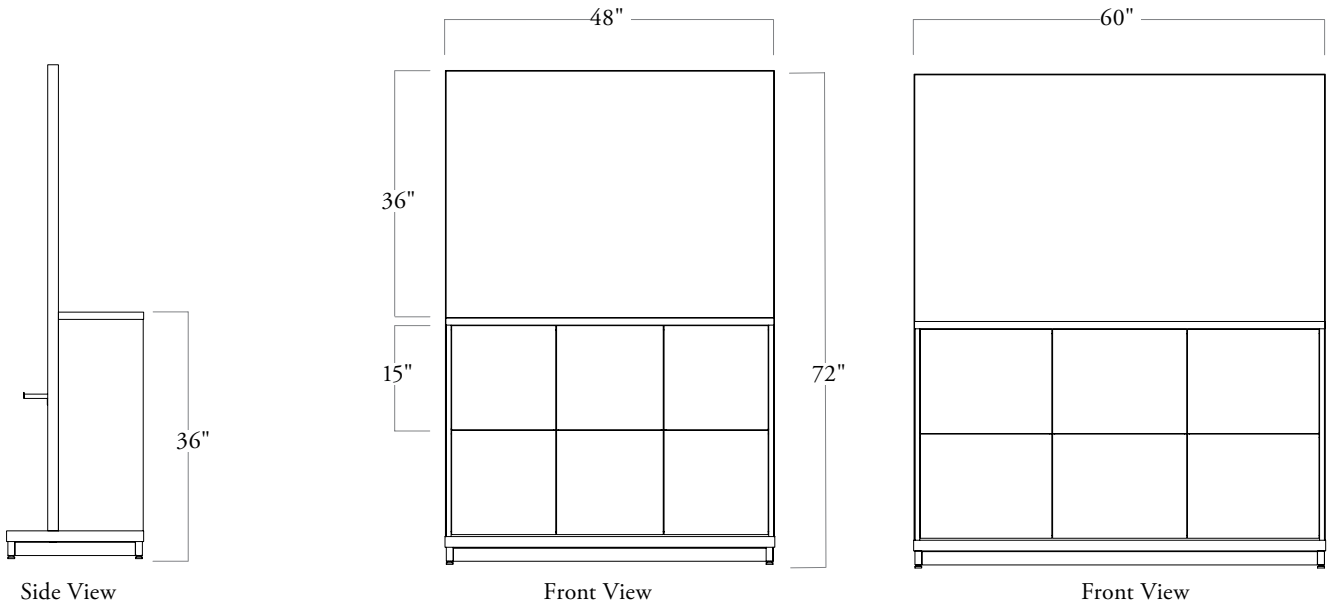
PRICING

Code	Dimensions	Product Name	Foundation Laminate Wall
HDWL / HDWLQ	72"h x 48"w	Locker Kiosk, Hinged Door-Left Open, No Ledge	3030
HDWL / HDWLQ	72"h x 60"w	Locker Kiosk, Hinged Door-Left Open, No Ledge	3445

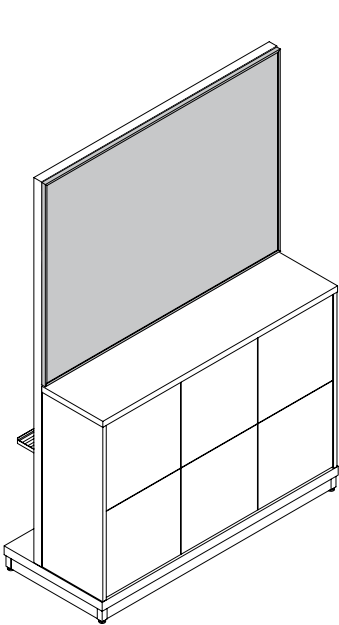
If Whiteboard Laminate Wall is specified, add 144
 If Shelf, Grade 2 Laminate Shelf is specified: for 48" wide, add 1023
 for 60" wide, add 1169
 If Mica/Accent is specified, add 36
 f Back Ledge Option is specified: for 48" wide, add 60
 for 60" wide, add 73

kiosks

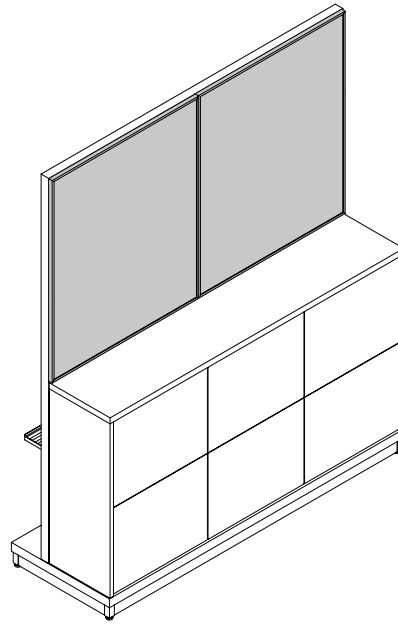
locker kiosk (HDWL) / fixed locker kiosk (HDWLQ) (continued)



Add-ons can be specified on the front above 36".



For 48" wide, one 48" Add-ons needs to be specified.

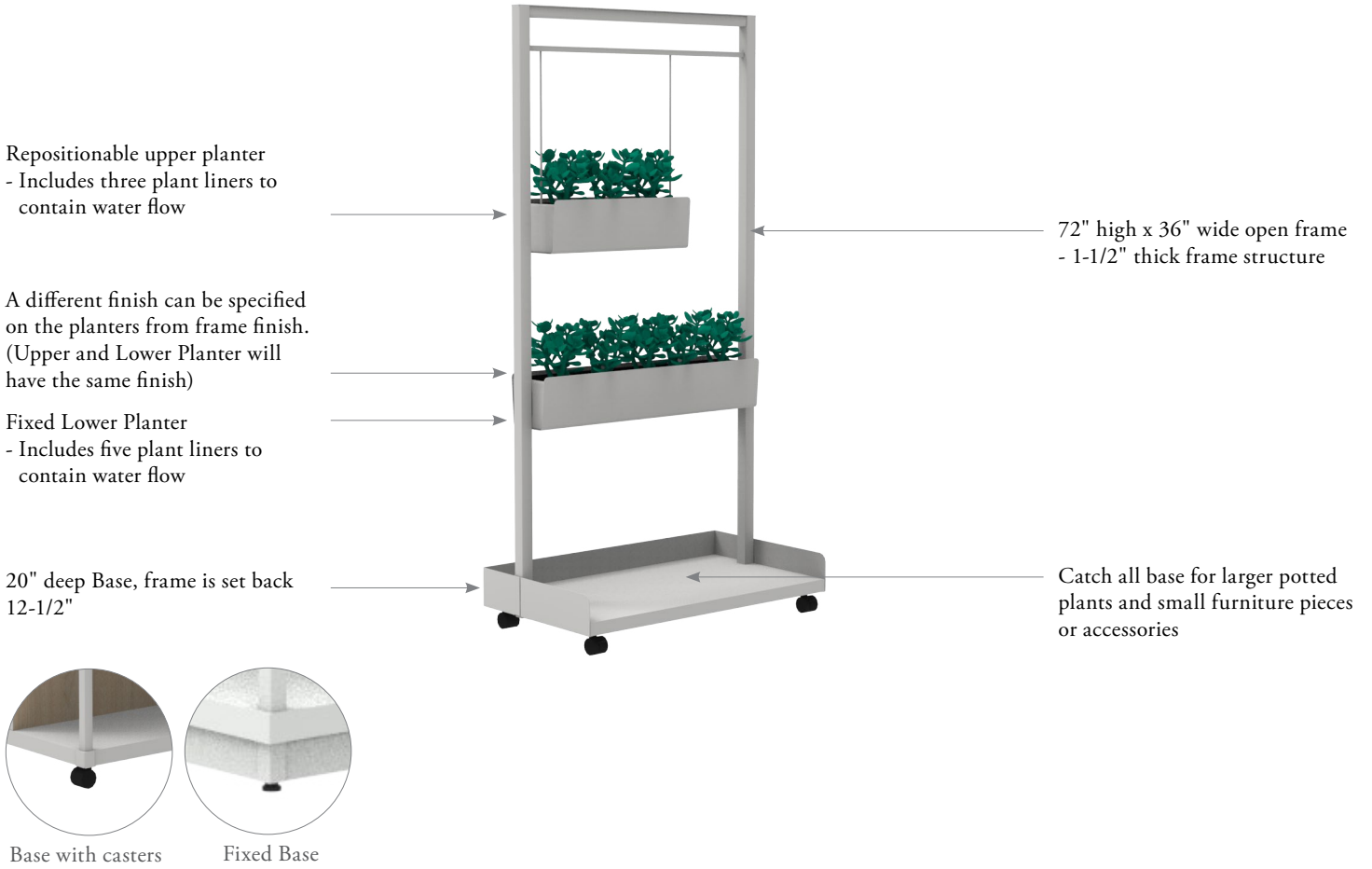


For 60" wide, two 30" Add-ons need to be specified.

kiosks

open planter kiosk (HDWP) / fixed open planter kiosk (HDWPQ)

Open Planter Kiosks provide open space division and add biophilia to a work setting.



PRODUCT OPTIONS

Height	Width	Planter Configuration	Frame Finish	Planter Finish	Base Finish
72	36	A With Hanging Planter (three wide)	Foundation Mica Accent	Foundation Mica Accent	Source Laminate

PRICING

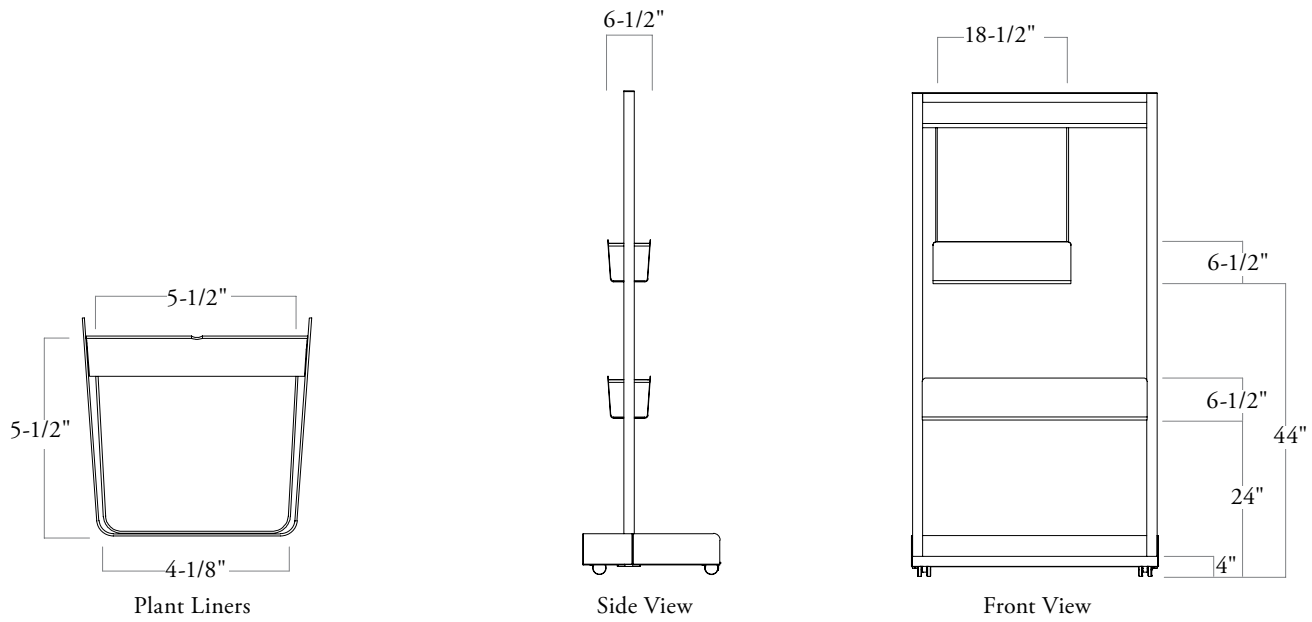
Code	Dimensions	Price
HDWP / HDWPQ	72"h x 36"w	1808

If Mica/Accent Planter is specified, add 18

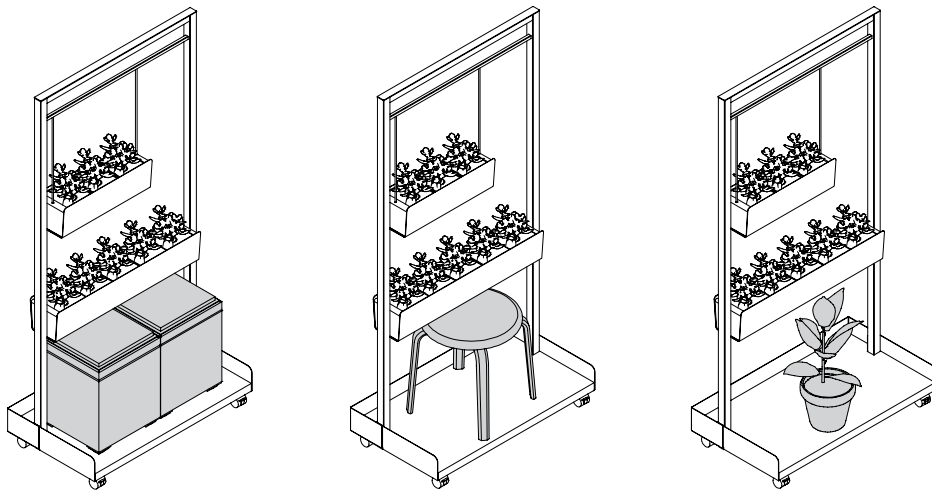
If Mica/Accent is specified, add 36

kiosks

open planter kiosk (HDWP) / fixed open planter kiosk (HDWPQ) (continued)



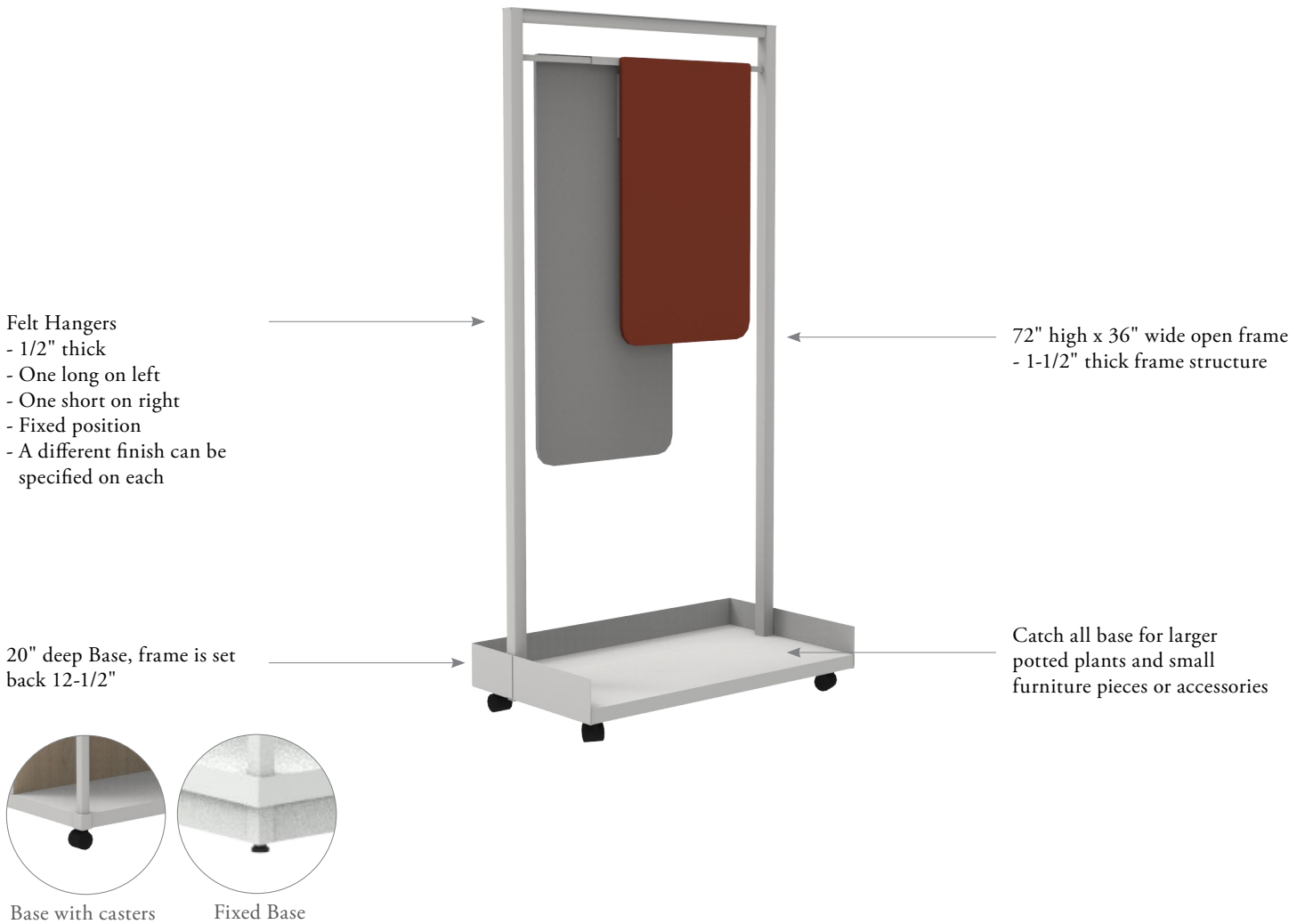
The bottom shelf is idea for small furniture, accessories or potted plants.



kiosks

open felt kiosk (HDWF) / fixed open felt kiosk (HDWFQ)

Open Felt Kiosks provide open space division and the warmth of felt hangers to a work setting.



PRODUCT OPTIONS

Height	Width	Smooth Felt Configuration	Frame Finish	Felt Finish - Long	Felt Finish - Short	Base Finish
72	36	A One Long, One Short	Foundation Mica Accent	Smooth Felt	Smooth Felt	Foundation Laminate

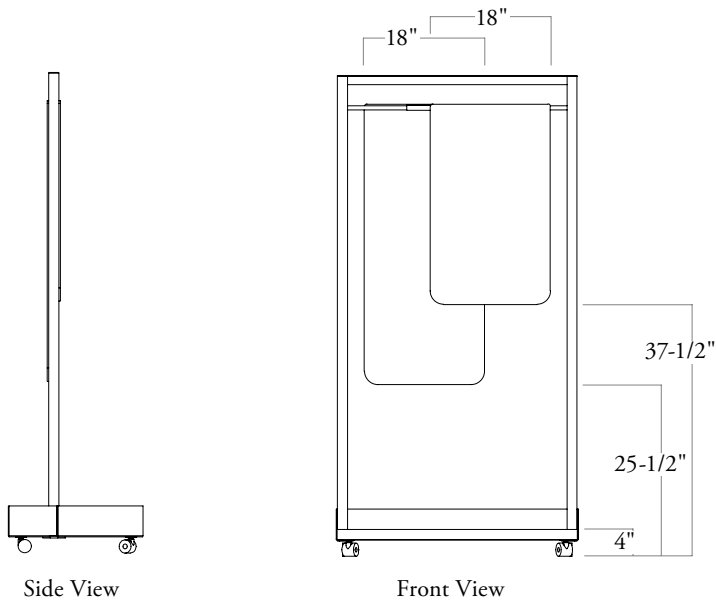
PRICING

Code	Dimensions	Price
HDWF / HDWFQ	72"h x 36"w	1741

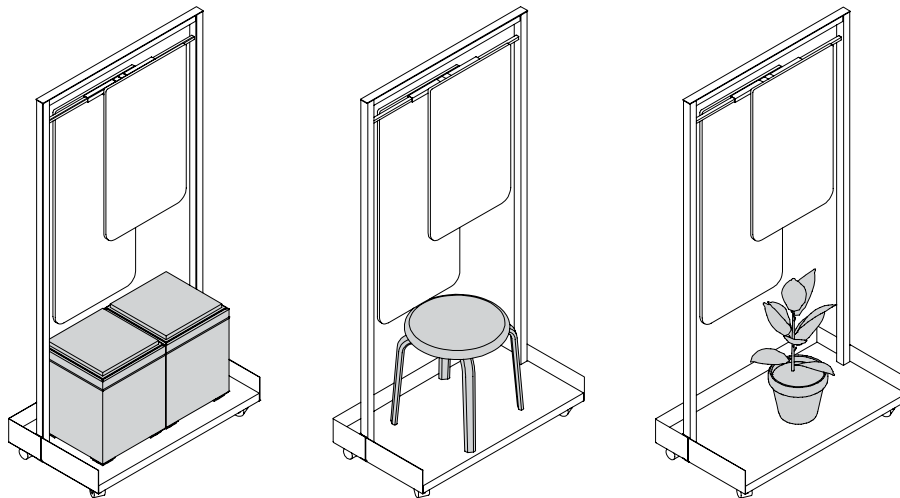
If Mica/Accent is specified, add 36

kiosks

open felt kiosk (HDWF) / fixed open felt kiosk (HDWFO) (continued)



The bottom shelf is idea for small furniture, accessories or potted plants.



kiosks

open shelves kiosk (HQW0) / fixed open shelves kiosk (HQW0Q)

The open shelves kiosk with dual-sided functionality serves as both a display shelf and a space division, allowing people to showcase items while effectively separating and organizing different areas within the office.

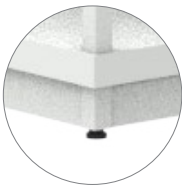
29-1/2" wide Solid back that can accommodate mounted Add-On Screens

12" deep shelf

20" deep Base, wall is set back 12-1/2" from the front



Base with casters



Fixed Base



Back View

Optional 24" high felt lined Ledge on the backside of the Kiosk

- Supports add-on boards that lean on the backside or can be used as a marker tray
- Casual power can be mounted to the underside - Felt liner is R6 Lunar

kiosks

open shelves kiosk (HQW0) / fixed open shelves kiosk (HQW0Q) (continued)

PRODUCT OPTIONS

Height	Width	Configuration	Back Configuration	Wall Location	Wall Finish	Wall Edge Trim Finish	Base Finish	Shelf Finish	Frame Finish
72	48, 60	O Open Shelves	N No Ledge Y With Ledge	L Left R Right	Foundation Laminate 5D Whiteboard Laminate	Edge Trim Colors	Foundation Laminate	Foundation Laminate Gr.2 Laminate	Foundation Mica Accent

PRICING

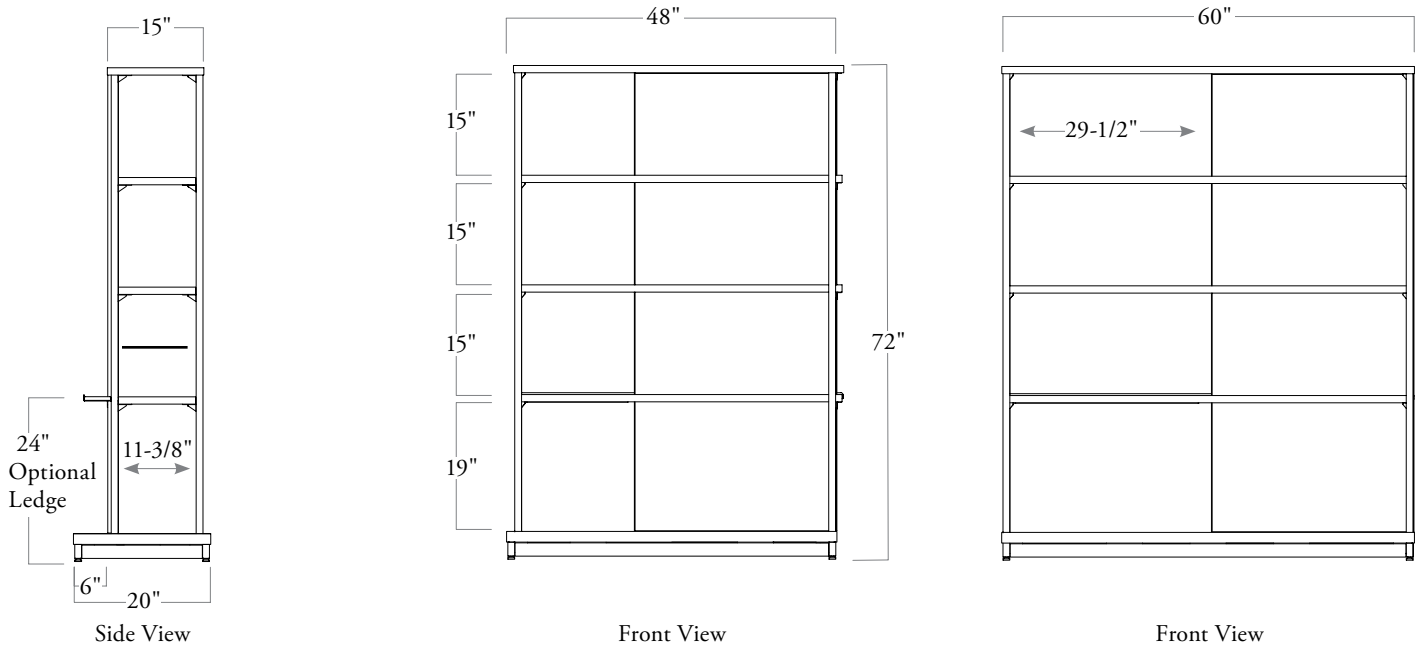
Dimensions	Back Configuration	Foundation Laminate Wall
72"h x 48"w	No Ledge	2338
72"h x 60"w	No Ledge	2649

If Whiteboard Laminate Wall is specified, add 144
 If Shelf, Grade 2 Laminate Shelf is specified, add 930
 If Mica/Accent is specified, add 36
 If Back Ledge Option is specified: for 48" wide, add 60
 for 60" wide, add 73

kiosks

open shelves kiosk (HDWO) / fixed open shelves kiosk (HDWOQ) [continued]

The following shows the dimensions for Open Shelves Kiosk (HDWO) and Fixed Open Shelves Kiosk (HDWOQ).



For optimal deployment of the Open Shelves Kiosks, it is advisable to arrange one unit facing forward and another facing rearward, embodying a balanced Yin and Yang concept.

