

kiosks & bookcases

reference guide

01.27.2025



teknion

update summary

Please be advised that information has been updated within the Kiosks & Bookcases Reference Guide. To highlight these updates, a summary has been created for your reference.

revised

General maintenance to this guide has been implemented.

Please note, first orders for new products will be accepted on January 27, 2025. All software will also be updated by January 27, 2025. If you have any questions regarding the information enclosed, please contact your Teknion Customer Service Representative.



table of contents

PRODUCT MAP	5
KIOSK	10
KIOSK ACCESSORIES	38
BOOKCASE	53
BOOKCASE ACCESSORIES	59

product map

The Kiosk offering includes thirteen unique Kiosk configurations with accompanying Add-On and Framed Add-On Boards and power and data accessories. Additionally, the Retrofittable Kits that enable the transition of the Kiosk between mobile and fixed setups.

kiosks



Media Kiosk
(HDWT / HDWTQ)



Media Chat Kiosk
(HDWV / HDWVQ)



Gallery Kiosk
(HDWD / HDWDQ)



Mudroom Kiosk
(HDWS / HDWSQ)



Server Kiosk
(HDWG / HDWGQ)



Storage Kiosk
(HDWB / HDWBQ)



Counter Storage Kiosk
(HDWC / HDWCQ)



Recycle Kiosk
(HDWR / HDWRQ)



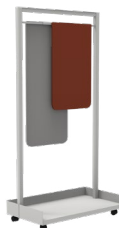
Counter Recycle Kiosk
(HDWW / HDWWQ)



Locker Kiosk
(HDWL / HDWLQ)



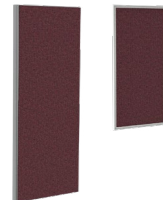
Open Planter Kiosk
(HDWP / HDWPQ)



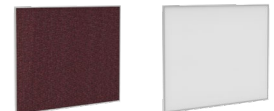
Open Felt Kiosk
(HDWF / HDWFQ)



Open Shelves Kiosk
(HDWO / HDWOQ)



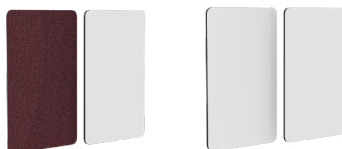
Framed Fabric add on for
Open Shelves Kiosk
(HDAS)



Framed Add-On Boards
(HDAF)



Add-On Boards
(HDAB)



Retrofittable Kits
(HDAK)



Wire Management Kits
(HDRZ)

product map

Open Bookcase collection fills the need for stylish, large-scale space division solutions, emphasizing simplicity, functionality, and complementary finish choices.

bookcases



Open Bookcase
(OBTS)



Open Console
(OBTC)



Fabric Tile
(OBFT)



Fabric Corner Divider
(OBCE)



Book End
(OBBE)



Planter
(OBPB)



Metal T-Divider
(OBTD)



Tethers
(OBTT)



Lighting Kit
(OBLK)



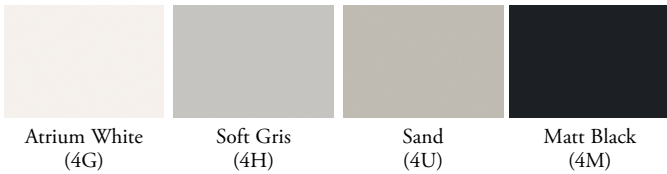
finishes

Kiosks have a curated palette of Teknion finishes.

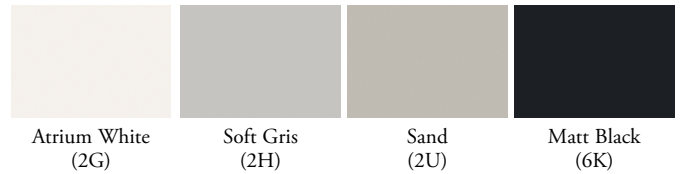
Bases and end trims are offered in four neutral finishes and when combined with metal and laminate finishes can create a neutral backdrop or a splash of color to a layout.



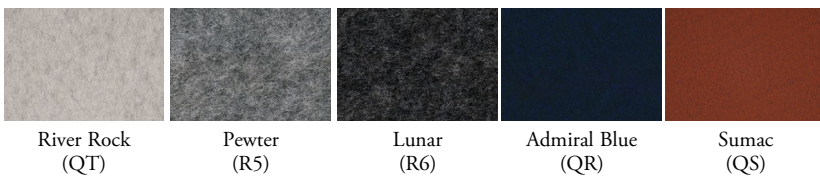
WALL EDGE



BASE



FELT





what are kiosks

A transformative shift is underway at the office.

The advent of hybrid work models now requires a workplace more agile and adaptable than ever and an environment more welcoming and inclusive, one that invites people to come together to work.

Kiosk is a collection of freestanding modules that define work hubs and distribute collaborative tools across the office. Suitable for training, meeting, work spaces or lounge areas, Kiosk stands at the intersection of furniture and architecture.



FLEXIBILITY

- Modular and maneuverable
- Ability to make and unmake a space

100% PARTICIPATION

- Analog and digital tools
- Promotes interaction between in person and virtual participants

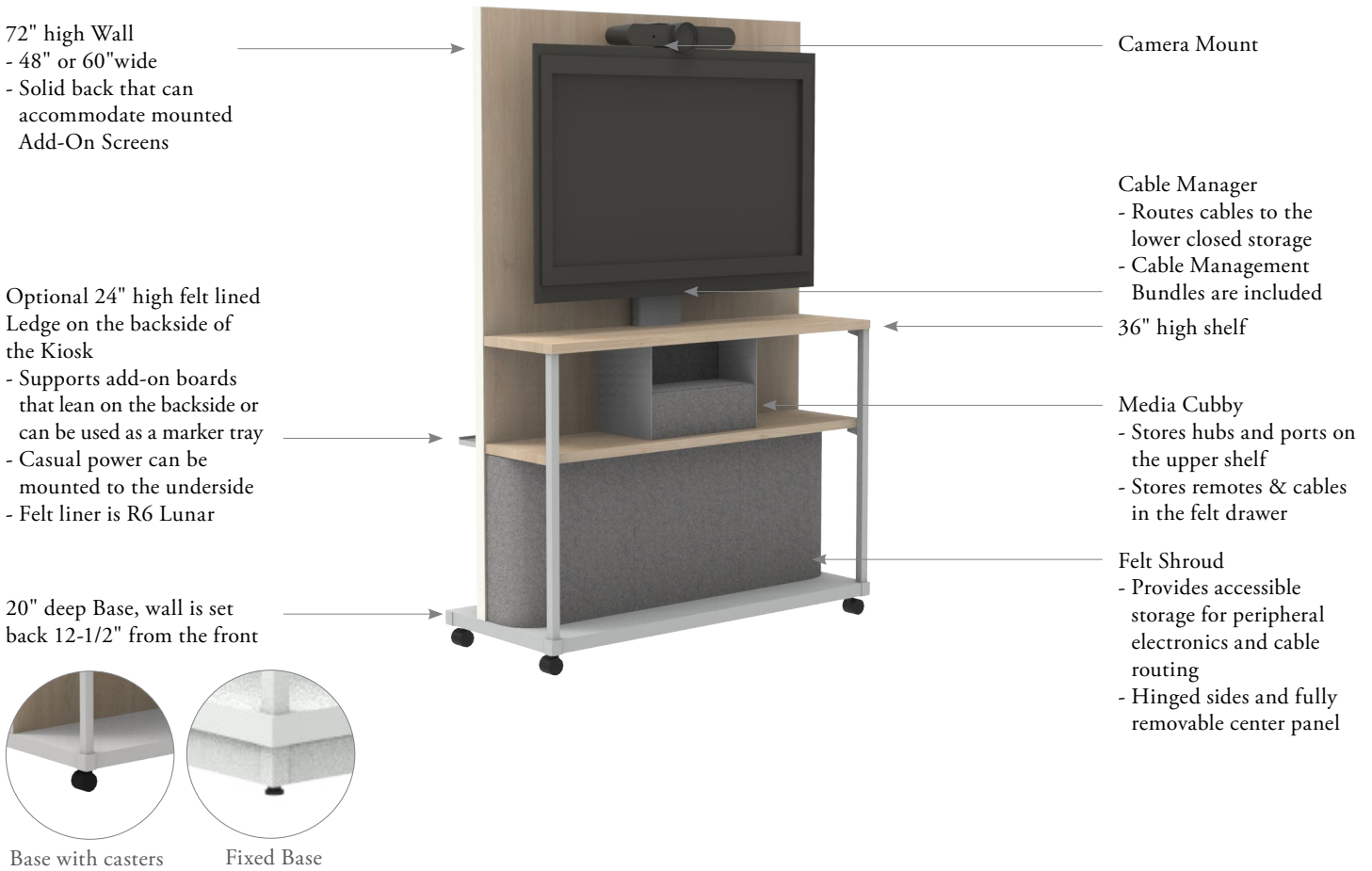
CHOICES

- A curated finish palette to provide a neutral backdrop
- Simple options and add-ons

kiosks

media kiosk (HDWT) / fixed media kiosk (HDWTQ)

Media Kiosks support TVs and optional mounted cameras and provide storage for digital equipment. They are ideal in meeting and workshop spaces.



PRODUCT OPTIONS

Height	Width	Configuration	Ledge on Back	Wall Finish	Wall Edge Trim Finish	Base Finish	Shelf Finish	Frame Finish	Felt Finish
72	48, 60	T TV Mount	N No Ledge Y With Ledge	Foundation Laminate 5D Whiteboard Laminate	Edge Trim Colors	Foundation Laminate	Foundation Laminate Gr.2 Laminate	Foundation Mica Accent	Smooth Felt

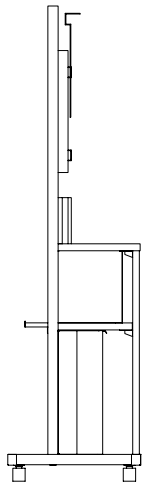
PRICING

Code	Dimensions	Price
HDWT / HDWTQ	72"h x 48"w	3151
HDWT / HDWTQ	72"h x 60"w	3483

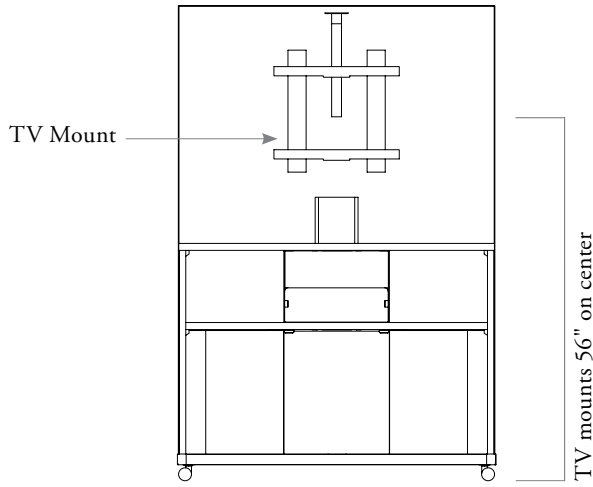
- If Whiteboard Laminate is specified, add 144
- If Grade 2 Laminate Shelf is specified: for 48" wide, add 73
for 60" wide, add 97
- If Back Ledge option is specified: for 48" wide, add 60
for 60" wide, add 73
- If Mica/Accent is specified, add 36

kiosks

media kiosk (HDWT) / fixed media kiosk (HDWTQ) (continued)



Side View



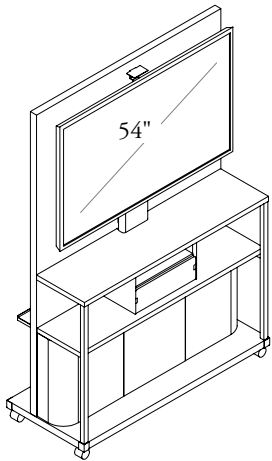
Front View

TV Mount

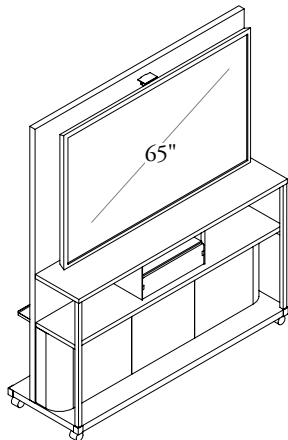
TV mounts 56" on center

MAXIMUM TV SIZE

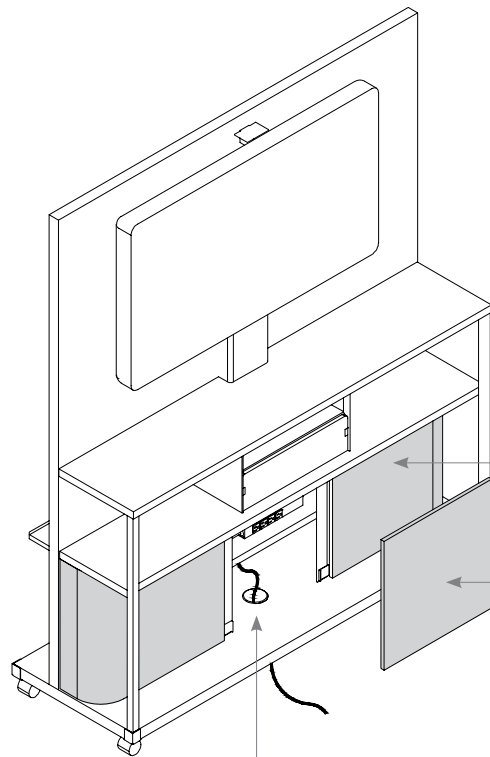
POWER AND DATA



48" wide Kiosk can accommodate a 54" television



60" wide Kiosk can accommodate a 65" television



Felt doors on either side are hinged to allow full access to the storage area

A fully removable felt center panel allows access to cables and storage

Cables route from the TV, through the cable manager to a power bar inside of the storage area.
 - The power bar cord then routes to the floor through a grommet in the base

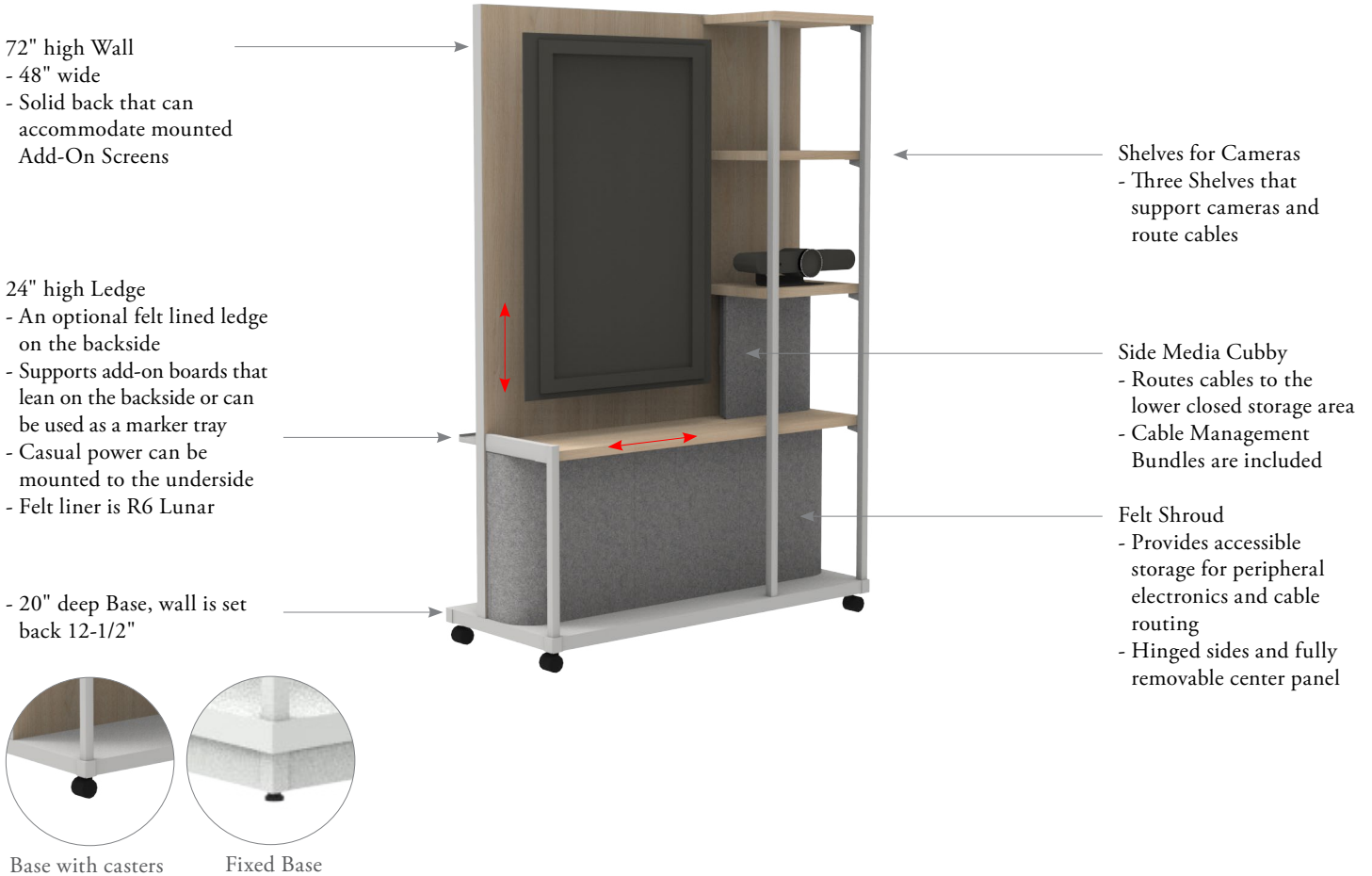
kiosks

media chat kiosk (HDWU) / fixed media chat kiosk (HDWUQ)

Media Chat Kiosks allow remote users to fully participate in gatherings.

Remote users are visible on the TV, and the Kiosk has cameras that move through the space allowing the users to view any activity in the space.

It includes storage for digital equipment.



PRODUCT OPTIONS

Height	Width	Orientation	Ledge on Back	Wall Finish	Wall Edge Trim Finish	Base Finish	Shelf Finish	Frame Finish	Felt Finish
72	48	L Left R Right	N No Ledge Y With Ledge	Foundation Laminate 5D Whiteboard Laminate	Edge Trim Colors	Foundation Laminate	Foundation Laminate Gr.2 Laminate	Foundation Mica Accent	Smooth Felt

PRICING

Code	Dimensions	Price
HDWV / HDWQ	72"h x 48"w	3212

If Whiteboard Laminate is specified, add 144

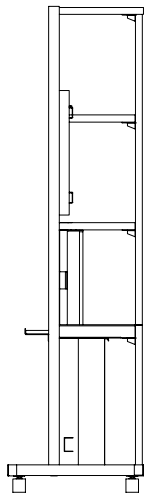
If Grade 2 Laminate Shelf is specified, add 144

If Back Ledge option is specified, add 60

If Mica/Accent is specified, add 36

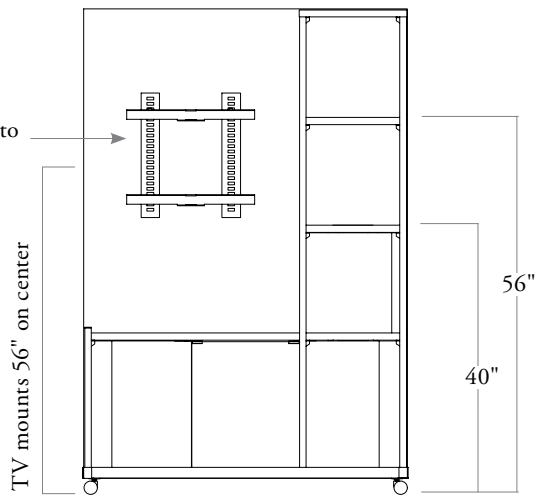
kiosks

media chat kiosk (HDWU) / fixed media chat kiosk (HDWUQ) (continued)



Side View

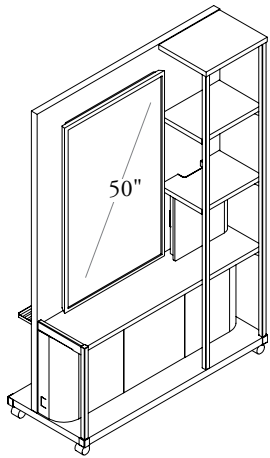
TV Mount allows the TV's to be mounted vertically



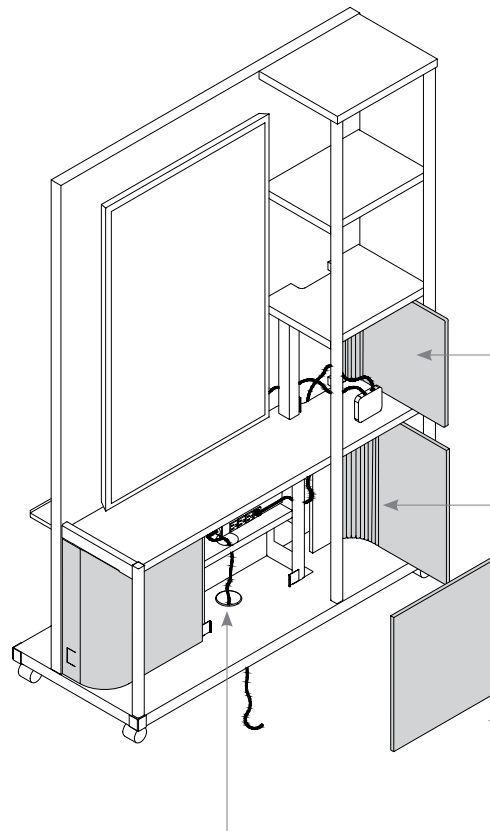
Front View

MAXIMUM TV SIZE

POWER AND DATA



The 48" wide Kiosk can accommodate a 50" television



A felt door conceals the side media cubby.
- cubby accommodates USB and power access

The felt doors on either side are hinged to allow full access to the storage area

A fully removable felt center panel allows access to cables and storage

Cables route from the TV and Side Media Cubby, through the cable manager to a power bar inside of the storage area.
- the power bar cord then routes to the floor through a grommet in the base

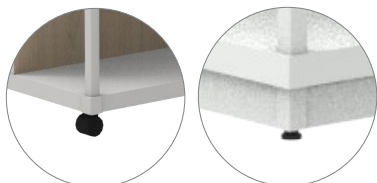
kiosks

gallery kiosk (HDWD) / fixed gallery kiosk (HDWDQ)

Gallery Kiosks include two whiteboards that lift and drop onto a frame to provide an analog meeting experience.

When not in use the screens are stored in the open section of the Kiosk.

Tackable screens can be ordered separately.



Base with casters

Fixed Base

PRODUCT OPTIONS

Height	Width	Orientation	Ledge on Back	Wall Finish	Wall Edge Trim Finish	Base Finish	Shelf Finish	Frame Finish
72	48	L Left R Right	N No Ledge Y With Ledge	Foundation Laminate 5D Whiteboard Laminate	Edge Trim Colors	Foundation Laminate	Foundation Laminate Gr.2 Laminate	Foundation Mica Accent

PRICING

Code	Dimensions	Price
HDWD / HDWDQ	72" h x 48" w	3218

If Whiteboard Laminate is specified, add 144

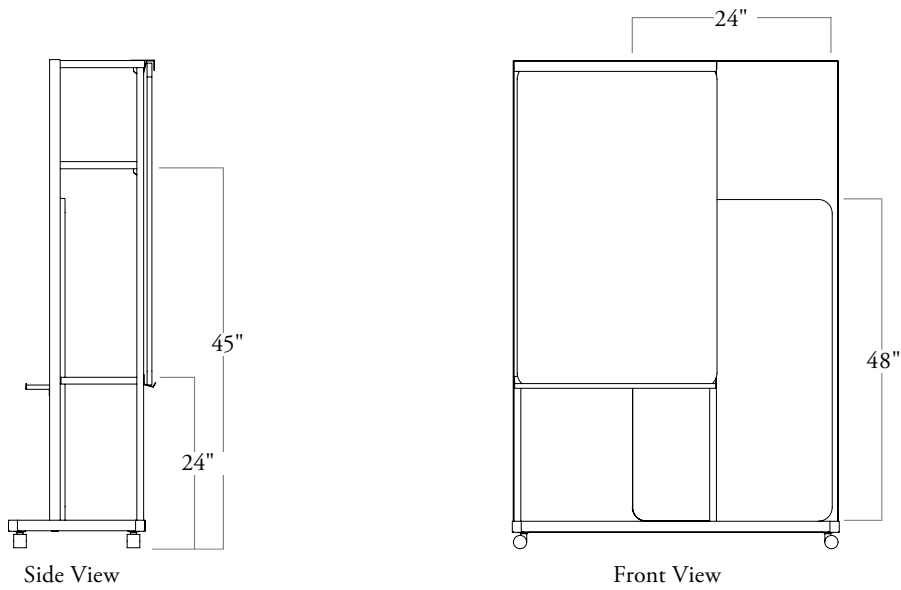
If Grade 2 Laminate Shelf is specified, add 97

If Back Ledge option is specified, add 60

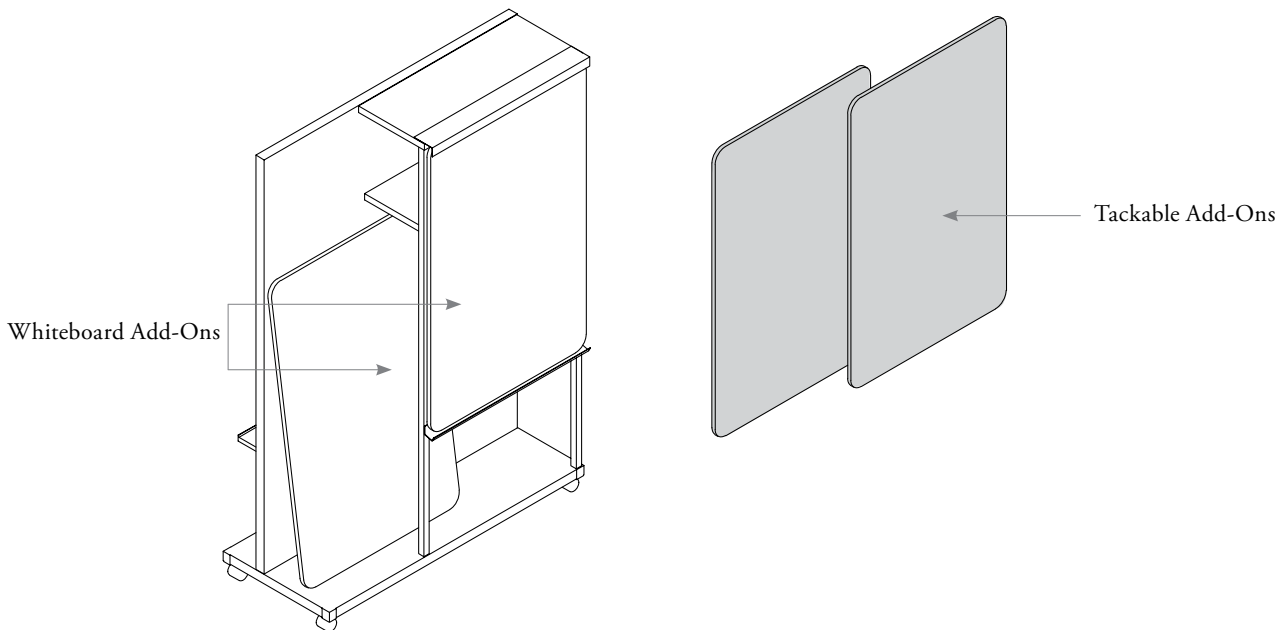
If Mica/Accent is specified, add 36

kiosks

gallery kiosk (H0WD) / fixed gallery kiosk (H0W0Q) (continued)



The Gallery Kiosk can accommodate both whiteboard and tackable add-ons.
Two whiteboard add-ons are included, and tackable add-ons are ordered separately.



kiosks

mudroom kiosk (HDWS) / fixed mudroom kiosk (HDWSQ)

Mudroom Kiosks provide coat and bag storage and additional storage shelves. They are ideal in social and collaborative area.

72" high Wall

- 48" wide

- Solid back that can accommodate mounted Add-On Screens

Hooks

- Three dual coat/bag hooks
- Hooks color will match with selected frame color

24" deep Ledge

- An optional felt lined ledge on the backside
- Supports add-on boards that lean on the backside or can be used as a marker tray
- Casual power can be mounted to the underside
- Felt liner is R6 Lunar

20" deep Base, wall is set back 12-1/2"



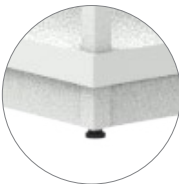
Felt Storage Front

Cubbies
- Three cubby areas

Power and USB Option
- Can accommodate optional USB ports, power bars and cable managers mounted to shelf bottoms



Base with casters



Fixed Base

PRODUCT OPTIONS

Height	Width	Orientation	Ledge on Back	Wall Finish	Wall Edge Trim Finish	Base Finish	Shelf Finish	Frame Finish	Felt Finish
72	48	L Left R Right	N No Ledge Y With Ledge	Foundation Laminate 5D Whiteboard Laminate	Edge Trim Colors	Foundation Laminate	Foundation Laminate Gr.2 Laminate	Foundation Mica Accent	Smooth Felt

PRICING

Code	Dimensions	Price
HDWS / HDWSQ	72" h x 48" w	2947

If Whiteboard Laminate is specified, add 144

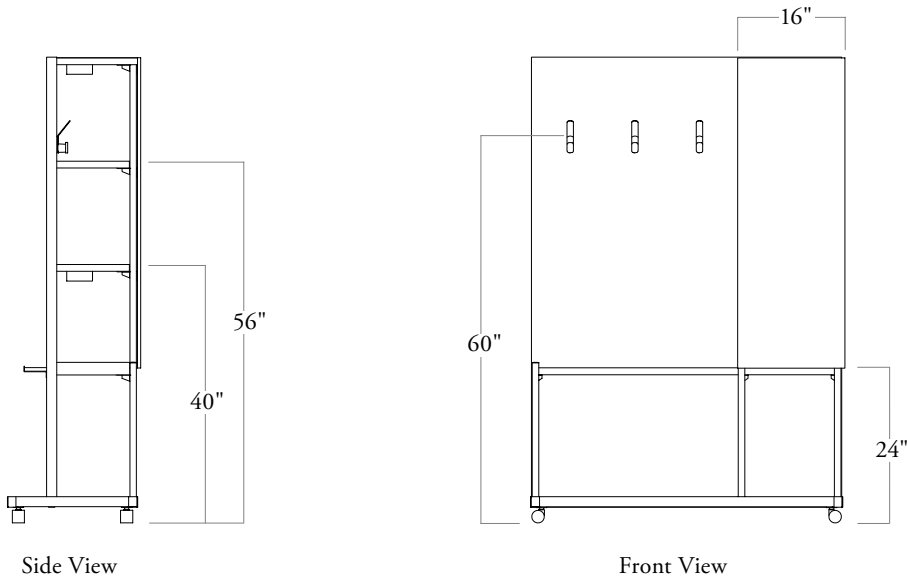
If Grade 2 Laminate Shelf is specified, add 144

If Back Ledge option is specified, add 60

If Mica/Accent is specified, add 36

kiosks

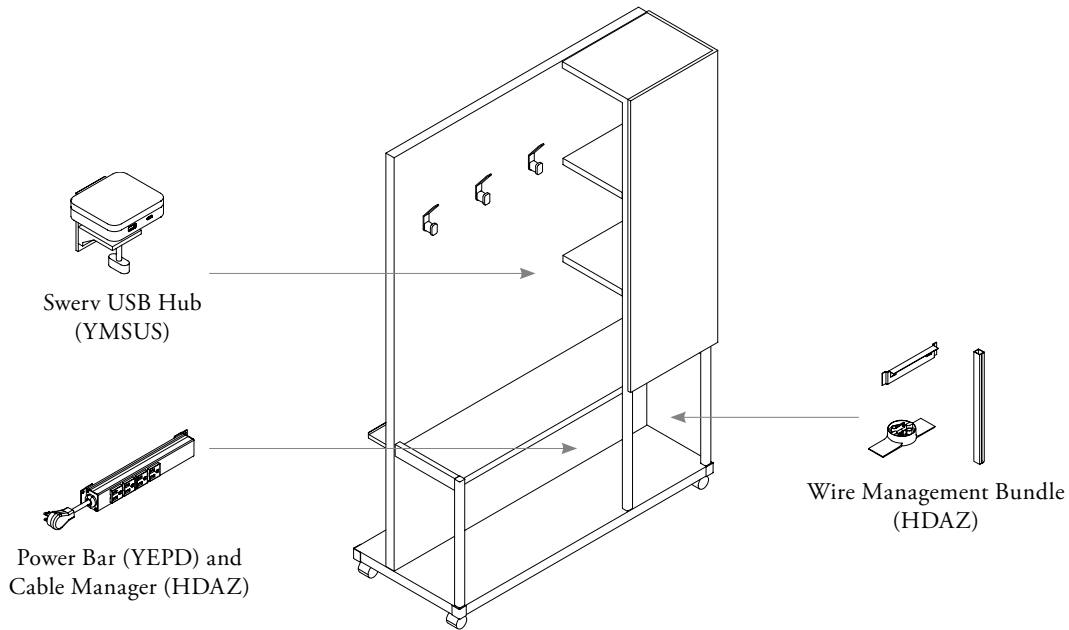
mudroom kiosk (HDWS) / fixed mudroom kiosk (HDWSQ) (continued)



The Mudroom Kiosk can accommodate USB Ports and Power Bars that mount below shelves.

The Wire Management Bundle routes cables to the floor.

All components are ordered separately.



kiosks

servery kiosk (HDWG) / fixed servery kiosk (HDWGQ)

Servery Kiosks provide a shelf for refreshments, options for power and USB and a cubby for storing small items.

- 72" high Wall
- 48" wide
- Solid back that can accommodate mounted Add-On Screens on either side

- Cubby with Felt Liner
- Stores small items in either the open or closed section
- Available in all five Felt Colors

- 24" high Ledge
- An optional felt lined ledge on the backside
- Supports add-on boards that lean on the backside or can be used as a marker tray
- Casual power can be mounted to the underside
- Felt liner is R6 Lunar



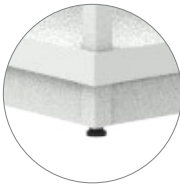
36" high shelf

- Lower Shelf
- Includes power pass through for optional power
- Can accommodate USB ports, or a power bar

20" deep base, wall is set back 12-1/2"



Base with casters



Fixed Base

PRODUCT OPTIONS

Height	Width	Configuration	Ledge on Back	Wall Finish	Wall Edge Trim Finish	Base Finish	Shelf Finish	Frame Finish	Felt Finish
72	48	O Open	N No Ledge Y With Ledge	Foundation Laminate 5D Whiteboard Laminate	Edge Trim Colors	Foundation Laminate	Foundation Laminate Gr.2 Laminate	Foundation Mica Accent	Smooth Felt

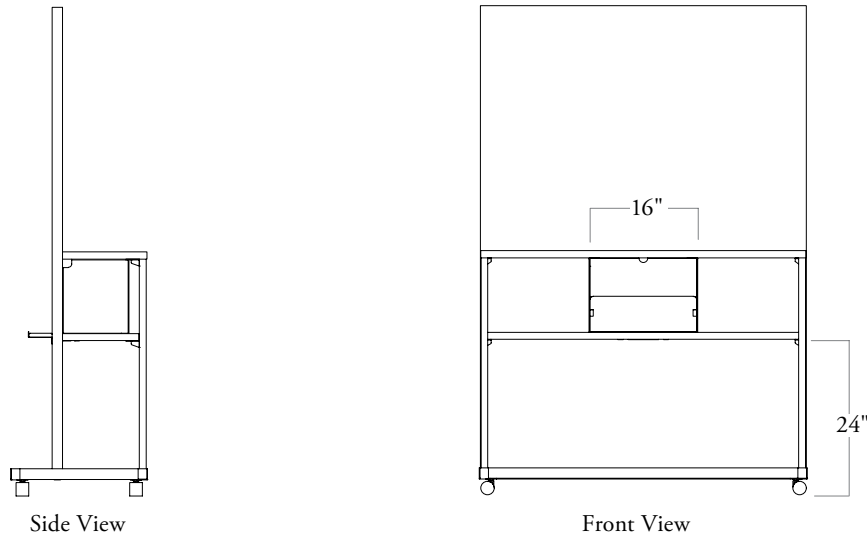
PRICING

Code	Dimensions	Price
HDWG / HDWGQ	72"h x 48"w	2682

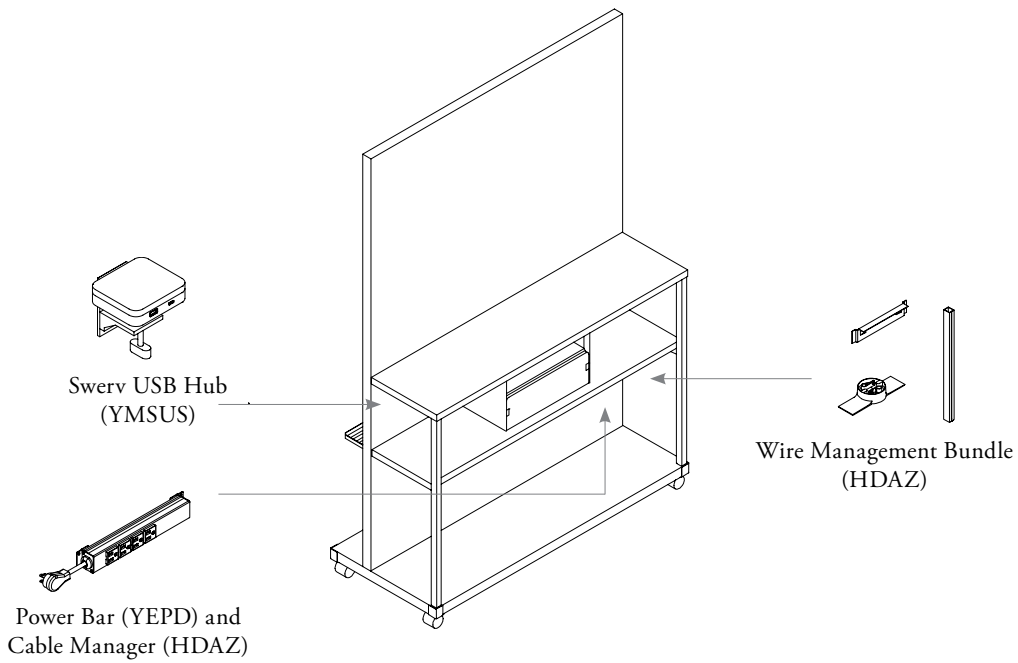
- If Whiteboard Laminate is specified, add 144
- If Grade 2 Laminate Shelf is specified, add 121
- If Back Ledge option is specified, add 60
- If Mica/Accent is specified, add 36

kiosks

server kiosk (HDWG) / fixed server kiosk (HDWGQ) (continued)



The Server Kiosk can accommodate USB Ports and Power Bars that mount below shelves.
The Wire Management Bundle routes cables to the floor.
All components are ordered separately.



kiosks

storage kiosk (HDWB) / fixed storage kiosk (HDWBQ)

Storage Kiosks provide open and closed storage and the ability to mount framed fascias for additional functionality.

72" high Wall
 - 48" wide
 - Solid back that can accommodate mounted Add-On Screens on either side

24" high Ledge
 - 48" wide
 - An optional felt lined ledge on the backside
 - Supports add-on boards that lean on the backside or can be used as a marker tray
 - Casual power can be mounted to the underside
 - Felt liner is R6 Lunar

20" d. Base, wall is set back 12-1/2"



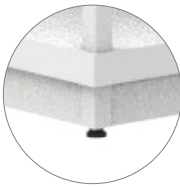
36" high shelf

Open cubby storage

Hinged door closed storage



Base with casters



Fixed Base

PRODUCT OPTIONS

Height	Width	Configuration	Ledge on Back	Wall Finish	Wall Edge Trim Finish	Base Finish	Shelf Finish	Frame Finish	Case Finish
72	48, 60	C Cubby	N No Ledge Y With Ledge	Foundation Laminate 5D Whiteboard Laminate	Edge Trim Colors	Foundation Laminate	Foundation Laminate Gr.2 Laminate	Foundation Mica Accent	Source Laminate

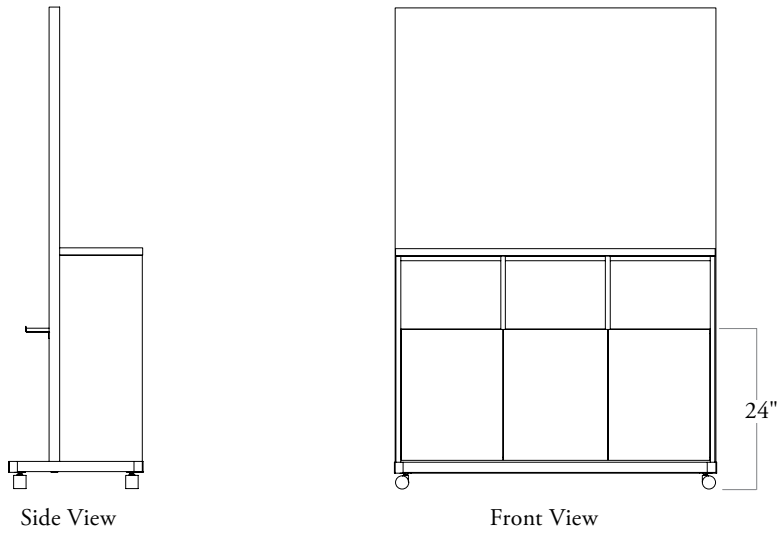
PRICING

Code	Wall, Foundation Laminate
HDWB / HDWBQ	3218

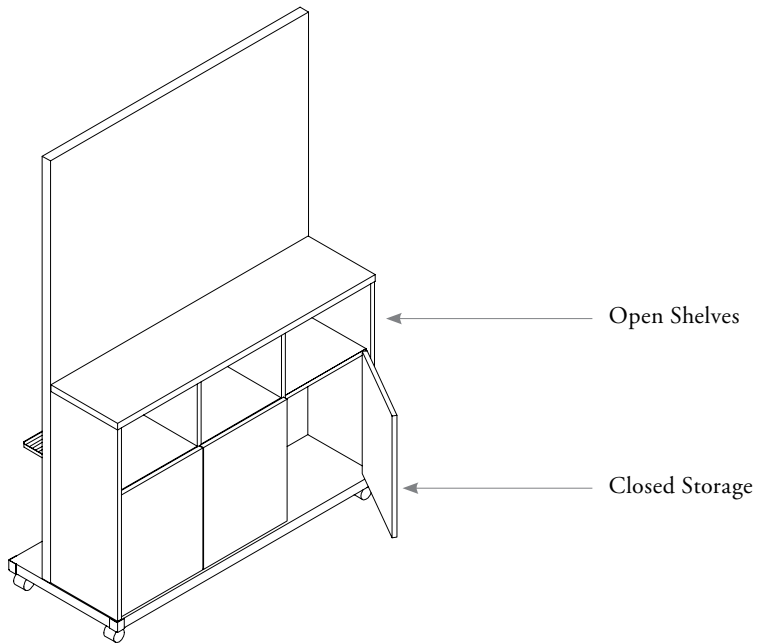
If Whiteboard Laminate is specified, add 144
 If Grade 2 Laminate Shelf is specified, add 73
 If Back Ledge option is specified, add 60
 If Mica/Accent is specified, add 36

kiosks

storage kiosk (H0WB) / fixed storage kiosk (H0WBQ) (continued)



The Storage Kiosk provides both closed and open storage.



kiosks

counter storage kiosk (HDWC) / fixed counter storage kiosk (HDWCQ)

Counter Storage Kiosk can be utilized as a space-saving and versatile storage solution, providing easy access to office supplies and serving as a convenient workspace for various tasks.

Always 36" high x 48" wide x 20" deep

Outer Case & Shelf
- Foundation Laminate
- Grade 2 Laminate

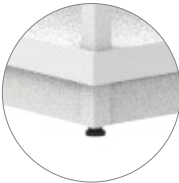


- Configuration with Cubby and Drawer
- Accent Felt Options

- Dual-sided, six Push latch hinged doors for easy access.
- Cabinets are finished in Source Laminate



Base with casters



Fixed Base

PRODUCT OPTIONS

Height	Width	Upper Configuration	Outer Case & Shelves Finish	Base Finish	Felt Accent	Frame Finish	Cabinet Finish
36	48	A Open B Cubby and Drawer	Foundation Laminate Gr.2 Laminate	Foundation Laminate	Smooth Felt	Foundation Mica Accent	Source Laminate

PRICING

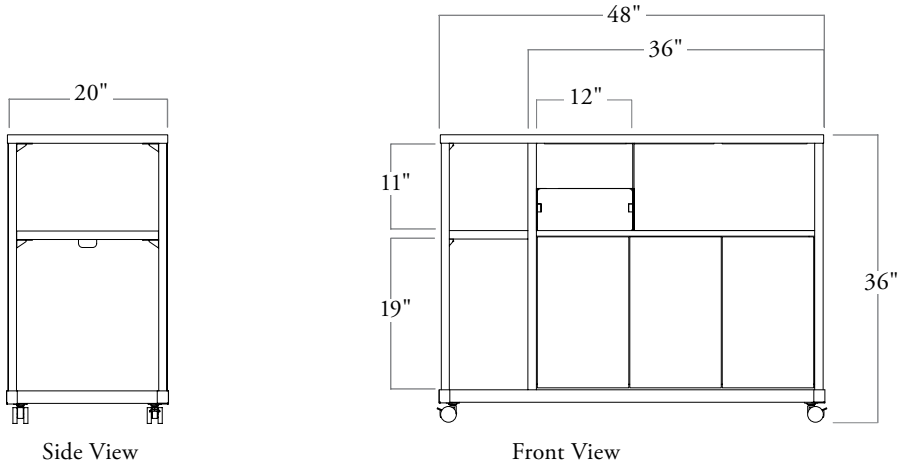
Code	Open	Cubby and Drawer
HDWC / HDWCQ	2998	3058

If Outer Case & Shelves, Grade 2 Laminate is specified, add 514

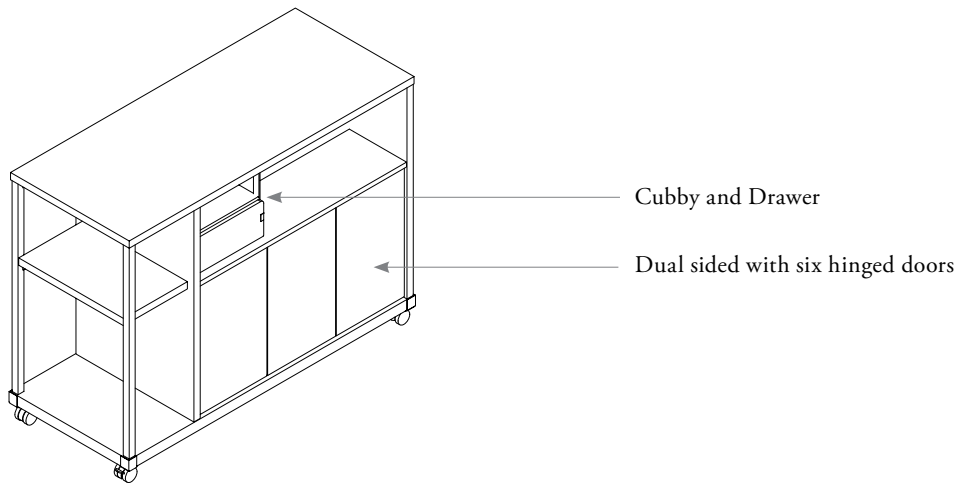
If Mica/Accent is specified, add 36

kiosks

counter storage kiosk (HDWC) / fixed counter storage kiosk (HDWCQ) (continued)



Counter Storage Kiosk provides both open and closed storage that can be accessed from both sides.



kiosks

recycle kiosk (HDWR) / fixed recycle kiosk (HDWRQ)

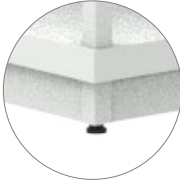
Recycle Kiosks provide three bins for recycling and the ability to mount framed fascias for additional functionality.

72" high Wall
 - 60" wide
 - Solid back that can accommodate mounted Add-On Screens on either side

24" high Ledge
 - An optional felt lined ledge on the backside
 - Supports add-on boards that lean on the backside or can be used as a marker tray
 - Casual power can be mounted to the underside
 - Felt liner is R6 Lunar



Base with casters



Fixed Base



36" high shelf
 Three recycle bins with metal bin covers
 Metal bin covers finish will match with selected frame color
 Hinged closed storage

- Optional metal recycle symbols (Paper, Recycle and Waste)
 - Recycle symbols color will match with selected frame color



Paper



Recycling



Waste

PRODUCT OPTIONS

Height	Width	Configuration	Ledge on Back	Wall Finish	Wall Edge Trim Finish	Base Finish	Shelf Finish	Frame Finish	Case Finish
72	60	N Bins without Recycle symbols Y Bins with Recycle symbols	N No Ledge Y With Ledge	Foundation Laminate 5D Whiteboard Laminate	Edge Trim Colors	Foundation Laminate	Foundation Laminate Gr.2 Laminate	Foundation Mica Accent	Source Laminate

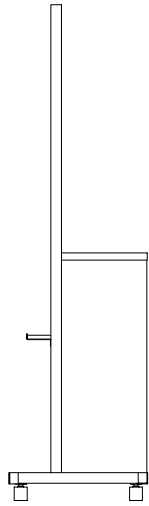
PRICING

Code	Dimensions	Price (without recycle symbols)
HDWR / HDWRQ	72"h x 60"w	3483

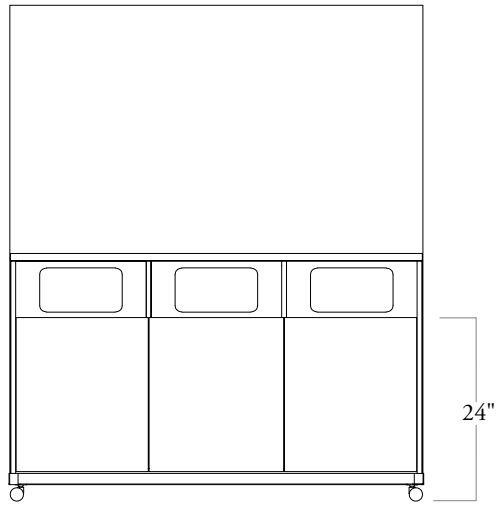
If Whiteboard Laminate is specified, add 144
 If Grade 2 Laminate Shelf is specified, add 97
 If Back Ledge option is specified, add 73
 If Recycle Symbols is specified, add 47
 If Mica/Accent is specified, add 36

kiosks

recycle kiosk (HDWR) / fixed recycle kiosk (HDWRQ) (continued)

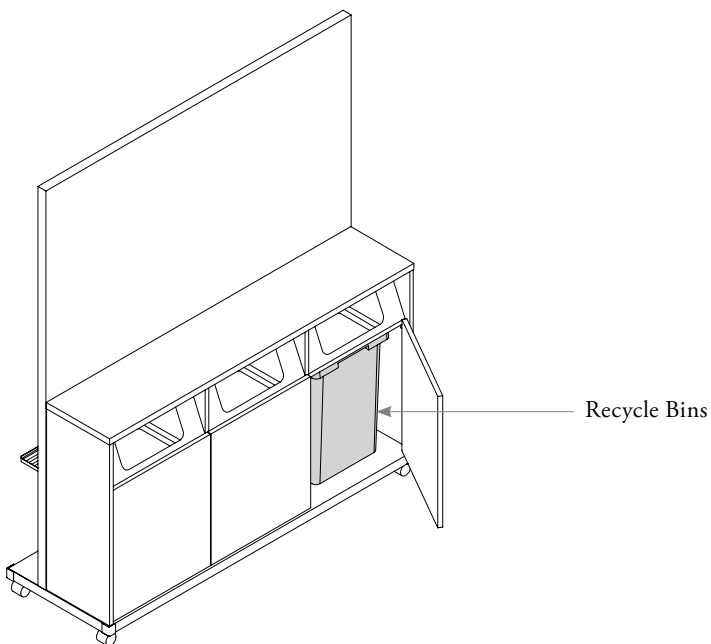


Side View



Front View

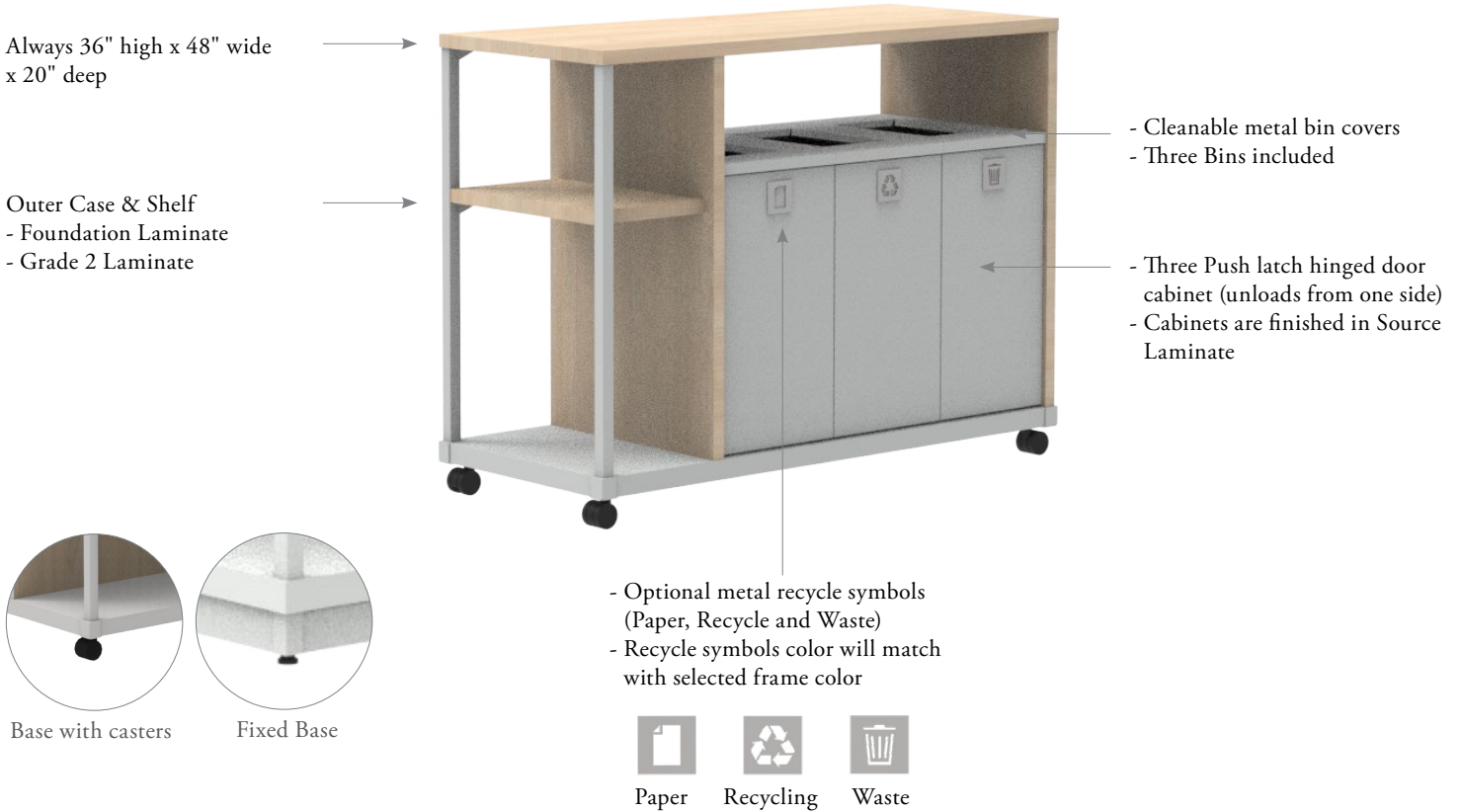
The Recycle Kiosk includes three bins.



kiosks

counter recycle kiosk (HDWW) / fixed counter recycle kiosk (HDWWQ)

Counter Recycle Kiosk offers a user-friendly solution for waste separation and recycling in public spaces and offices, promoting eco-friendly practices with easy accessibility.



PRODUCT OPTIONS

Height	Width	Configuration	Outer Case & Shelves Finish	Base Finish	Bins Cover Finish	Frame Finish	Cabinet Finish
36	48	N Bins without Recycle symbols Y Bins with Recycle symbols	Foundation Laminate Gr.2 Laminate	Foundation Laminate	Foundation Mica Accent	Foundation Mica Accent	Source Laminate

PRICING

Code	Dimensions	Price (without recycle symbols)
HDWW / HDWWQ	36"h x 48"w	2966

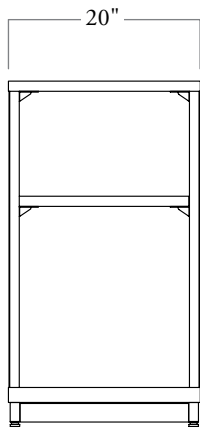
If Outer Case & Shelves, Grade 2 Laminate is specified, add 514

If Recycle Symbols is specified, add 47

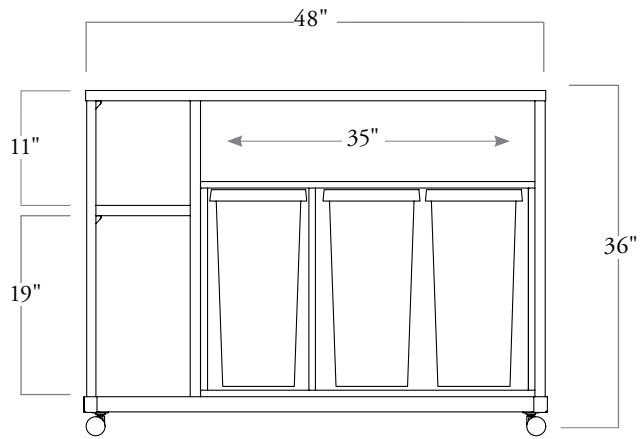
If Bins Cover Mica/Accent is specified, add 36

kiosks

counter recycle kiosk (HDWW) / fixed counter recycle kiosk (HDWWQ) (continued)

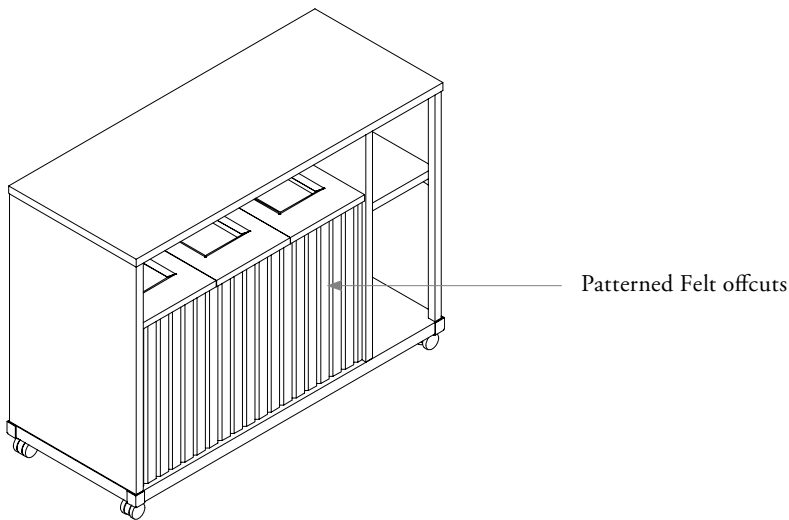


Side View



Front View

The Counter Recycle Kiosk includes three bins. Backside includes a three patterned felt offcuts.

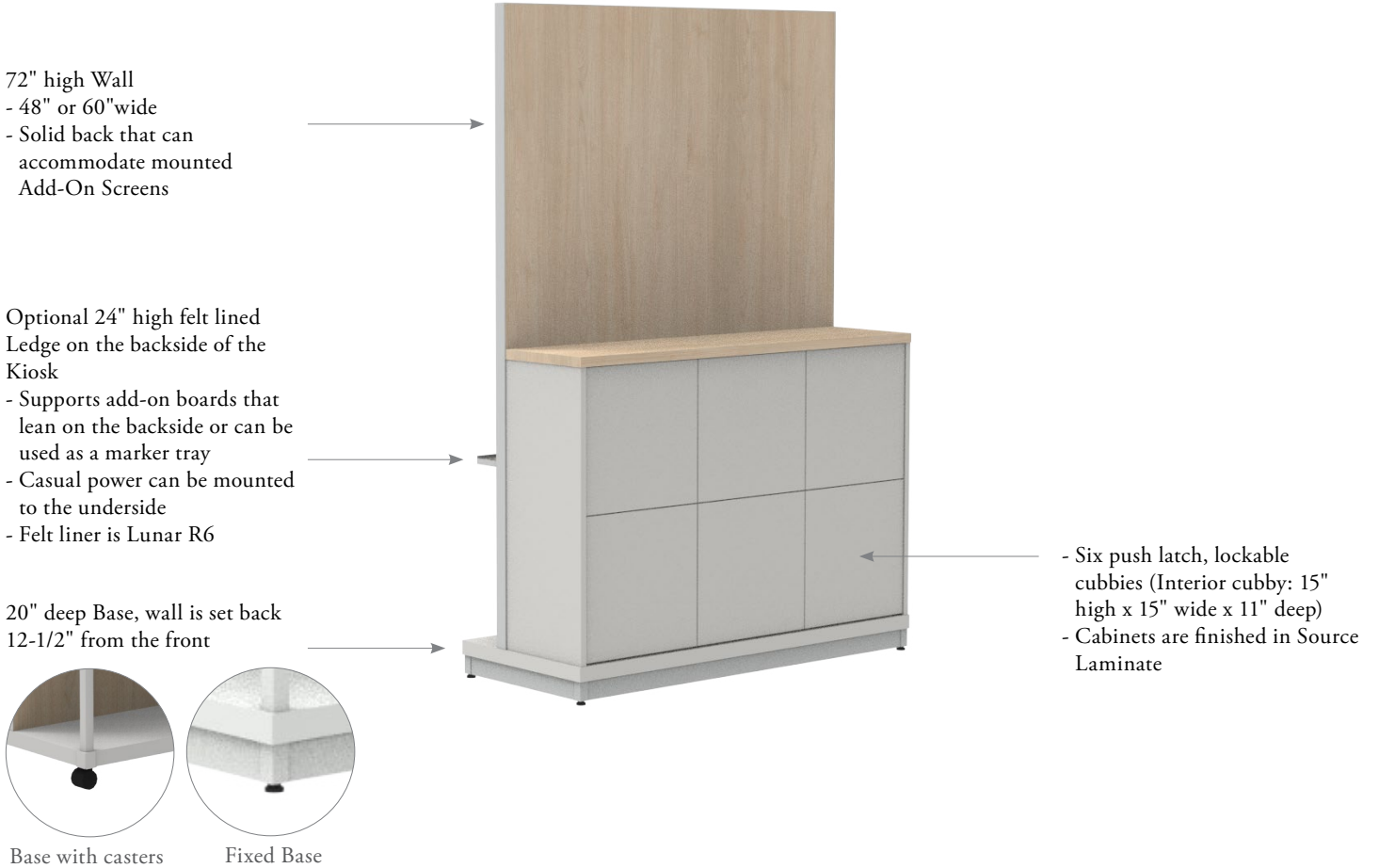


Back View

kiosks

locker kiosk (HDWL) / fixed locker kiosk (HDWLQ)

Locker Kiosk featuring six lockable cubbies, providing a secure and organized solution for conveniently storing personal items and supplies.



PRODUCT OPTIONS

Height	Width	Configuration	Back Configuration	Wall Finish	Wall Edge Trim Finish	Base Finish	Shelf Finish	Frame Finish	Cabinet Finish	Key
72	48, 60	L Hinged Door, Left Open R Hinged Door, Right Open	N No Ledge Y With Ledge	Foundation Laminate 5D Whiteboard Laminate	Edge Trim Colors	Foundation Laminate	Foundation Laminate Gr.2 Laminate	Foundation Mica Accent	Source Laminate	N No Lock K Key Alike R Key Random

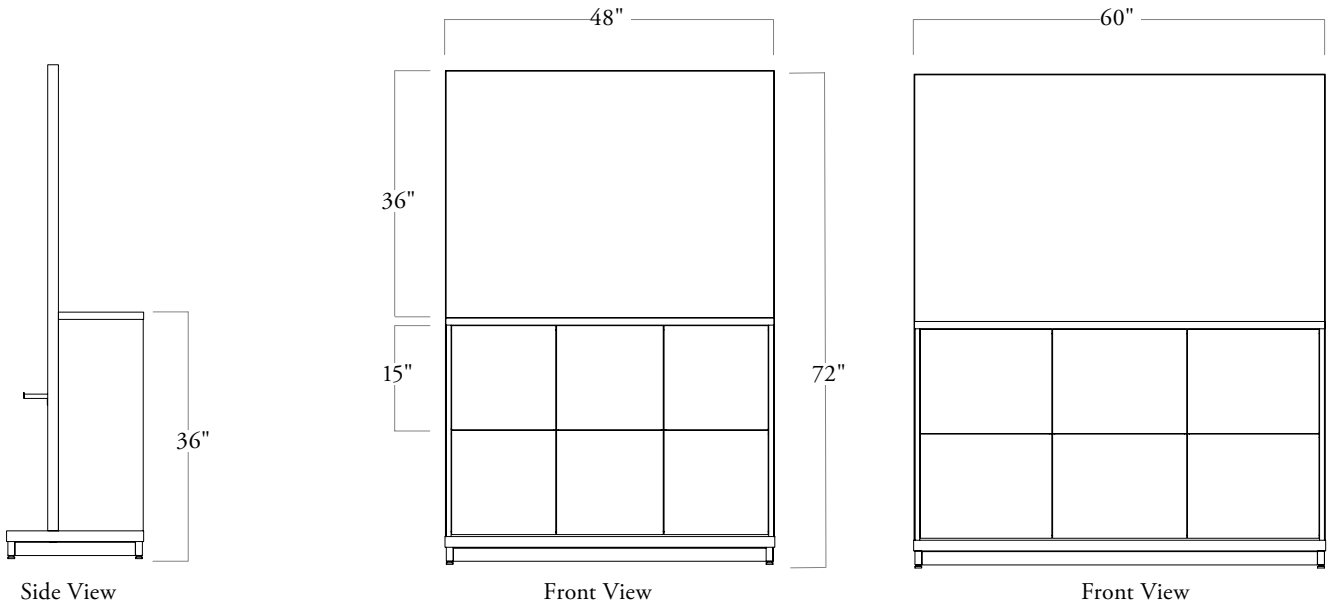
PRICING

Code	Dimensions	Product Name	Foundation Laminate Wall
HDWL / HDWLQ	72"h x 48"w	Locker Kiosk, Hinged Door-Left Open, No Ledge	3030
HDWL / HDWLQ	72"h x 60"w	Locker Kiosk, Hinged Door-Left Open, No Ledge	3445

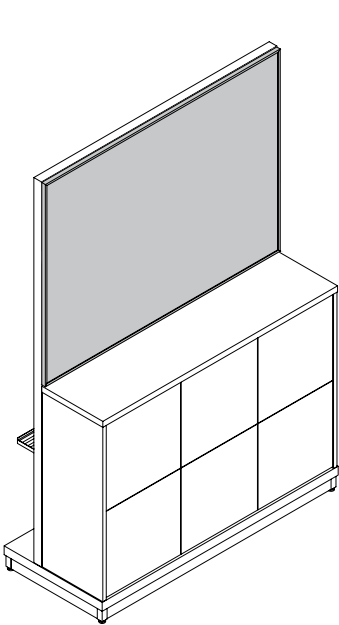
If Whiteboard Laminate Wall is specified, add 144
 If Shelf, Grade 2 Laminate Shelf is specified: for 48" wide, add 1023
 for 60" wide, add 1169
 If Mica/Accent is specified, add 36
 f Back Ledge Option is specified: for 48" wide, add 60
 for 60" wide, add 73

kiosks

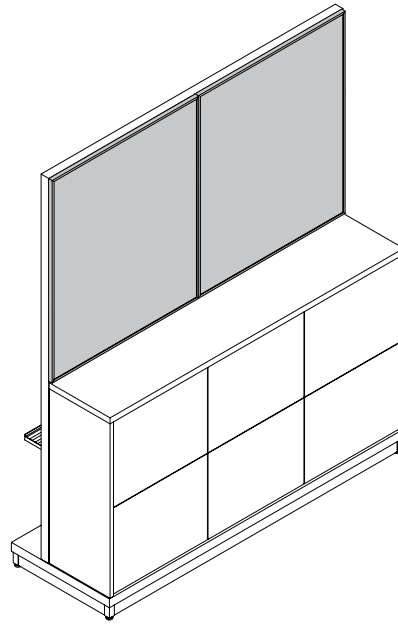
locker kiosk (HDWL) / fixed locker kiosk (HDWLO) (continued)



Add-ons can be specified on the front above 36".



For 48" wide, one 48" Add-ons needs to be specified.

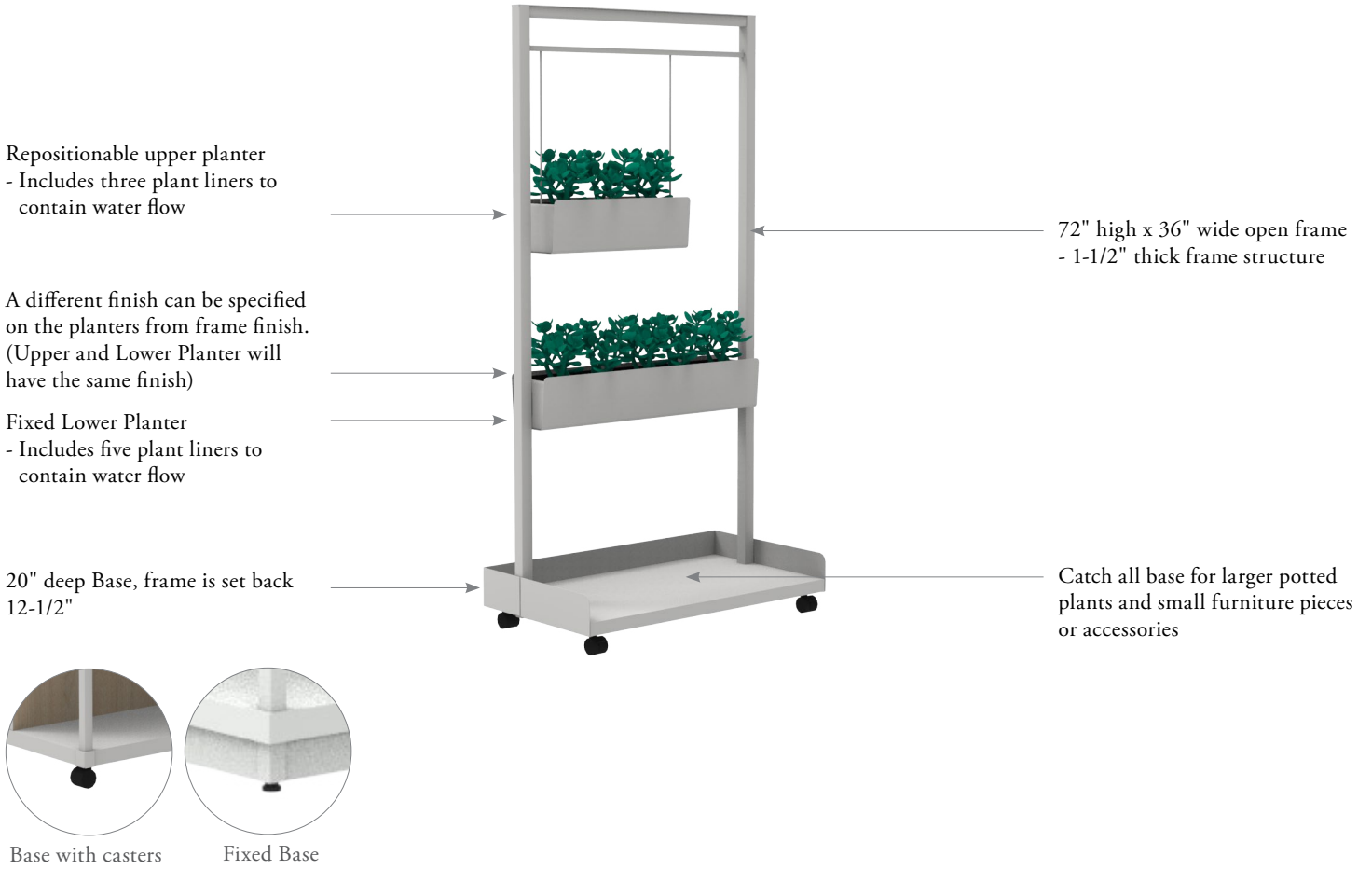


For 60" wide, two 30" Add-ons need to be specified.

kiosks

open planter kiosk (HDWP) / fixed open planter kiosk (HDWPQ)

Open Planter Kiosks provide open space division and add biophilia to a work setting.



PRODUCT OPTIONS

Height	Width	Planter Configuration	Frame Finish	Planter Finish	Base Finish
72	36	A With Hanging Planter (three wide)	Foundation Mica Accent	Foundation Mica Accent	Source Laminate

PRICING

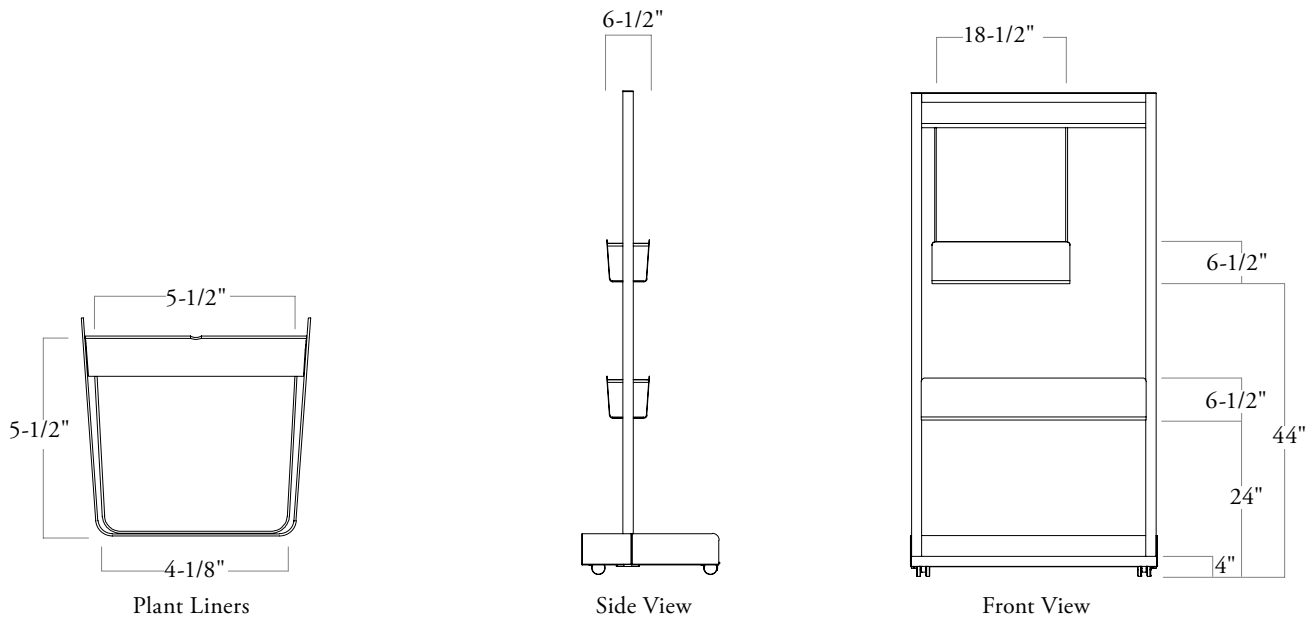
Code	Dimensions	Price
HDWP / HDWPQ	72"h x 36"w	1808

If Mica/Accent Planter is specified, add 18

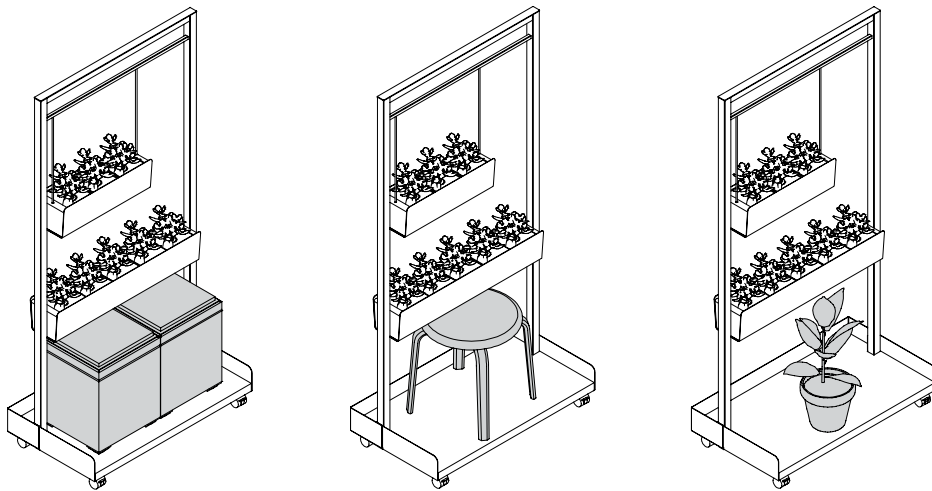
If Mica/Accent is specified, add 36

kiosks

open planter kiosk (HDWP) / fixed open planter kiosk (HDWPQ) (continued)



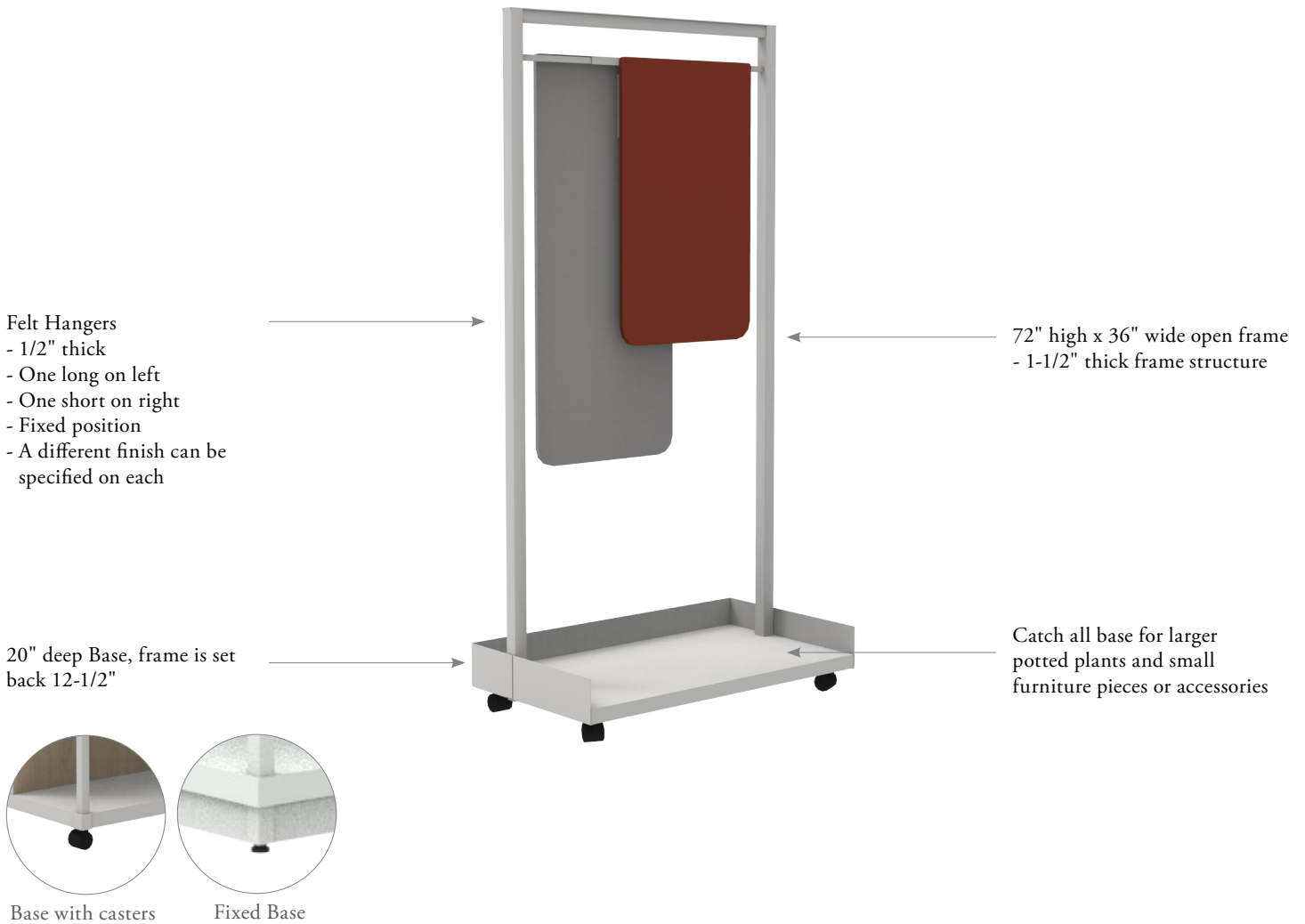
The bottom shelf is idea for small furniture, accessories or potted plants.



kiosks

open felt kiosk (HDWF) / fixed open felt kiosk (HDWFQ)

Open Felt Kiosks provide open space division and the warmth of felt hangers to a work setting.



PRODUCT OPTIONS

Height	Width	Smooth Felt Configuration	Frame Finish	Felt Finish - Long	Felt Finish - Short	Base Finish
72	36	A One Long, One Short	Foundation Mica Accent	Smooth Felt	Smooth Felt	Foundation Laminate

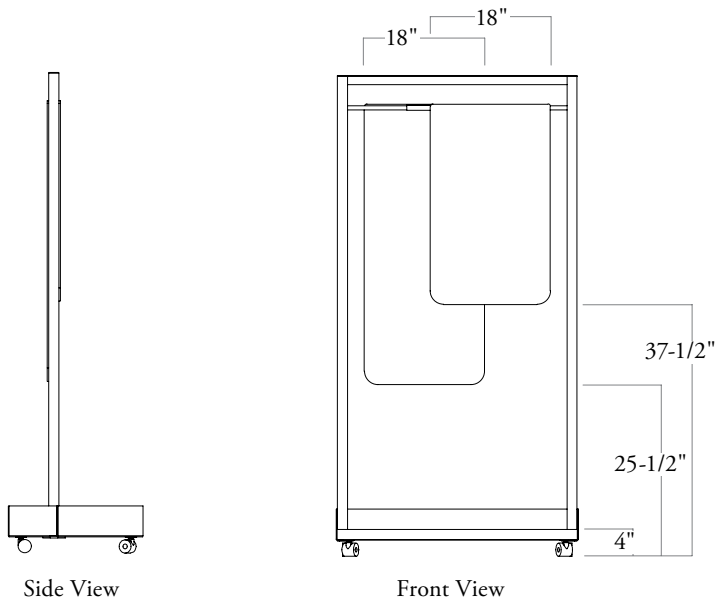
PRICING

Code	Dimensions	Price
HDWF / HDWFQ	72"h x 36"w	1741

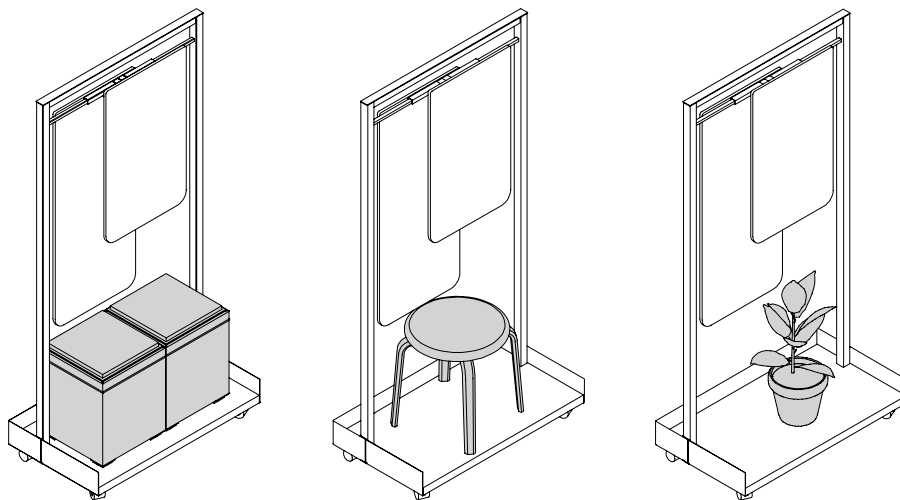
If Mica/Accent is specified, add 36

kiosks

open felt kiosk (HDWF) / fixed open felt kiosk (HDWFO) (continued)



The bottom shelf is idea for small furniture, accessories or potted plants.



kiosks

open shelves kiosk (HQW0) / fixed open shelves kiosk (HQW0Q)

The open shelves kiosk with dual-sided functionality serves as both a display shelf and a space division, allowing people to showcase items while effectively separating and organizing different areas within the office.

29-1/2" wide Solid back that can accommodate mounted Add-On Screens

12" deep shelf

20" deep Base, wall is set back 12-1/2" from the front



Base with casters



Fixed Base



Back View

Optional 24" high felt lined Ledge on the backside of the Kiosk

- Supports add-on boards that lean on the backside or can be used as a marker tray
- Casual power can be mounted to the underside - Felt liner is R6 Lunar

kiosks

open shelves kiosk (HQWO) / fixed open shelves kiosk (HQWQQ) (continued)

PRODUCT OPTIONS

Height	Width	Configuration	Back Configuration	Wall Location	Wall Finish	Wall Edge Trim Finish	Base Finish	Shelf Finish	Frame Finish
72	48, 60	O Open Shelves	N No Ledge Y With Ledge	L Left R Right	Foundation Laminate 5D Whiteboard Laminate	Edge Trim Colors	Foundation Laminate	Foundation Laminate Gr.2 Laminate	Foundation Mica Accent

PRICING

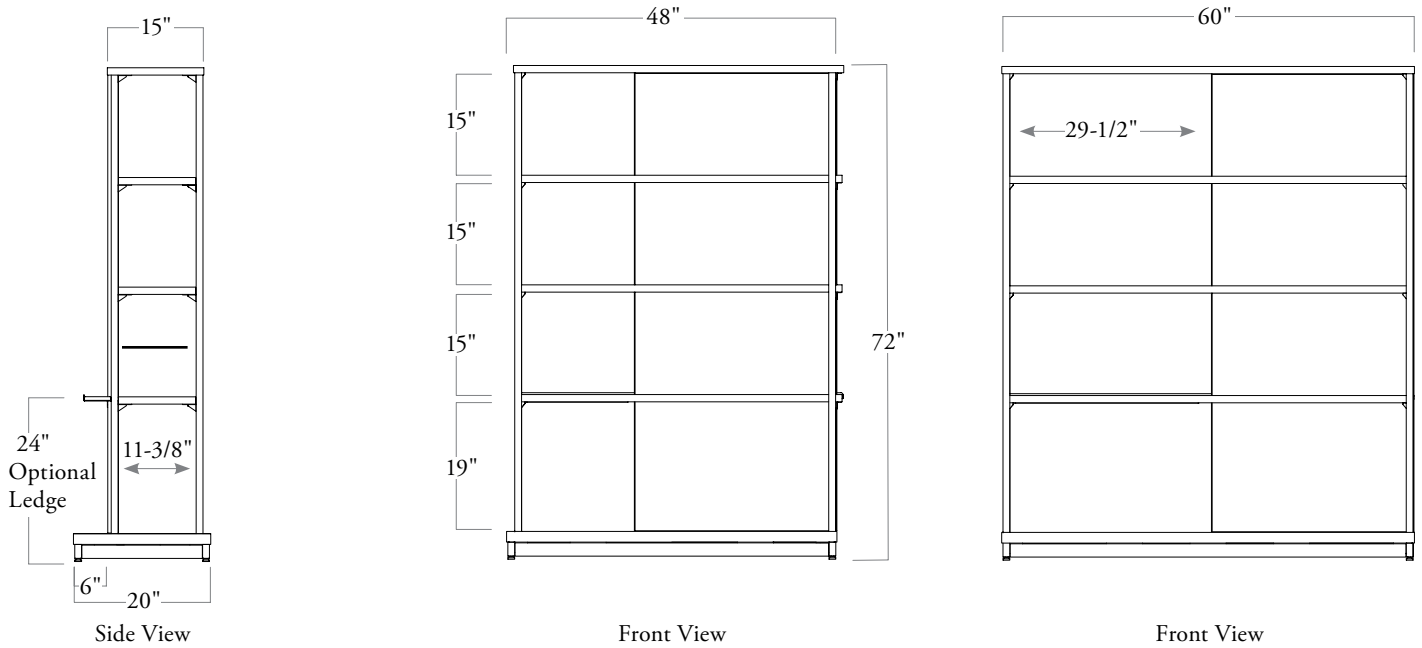
Dimensions	Back Configuration	Foundation Laminate Wall
72"h x 48"w	No Ledge	2338
72"h x 60"w	No Ledge	2649

If Whiteboard Laminate Wall is specified, add 144
 If Shelf, Grade 2 Laminate Shelf is specified, add 930
 If Mica/Accent is specified, add 36
 If Back Ledge Option is specified: for 48" wide, add 60
 for 60" wide, add 73

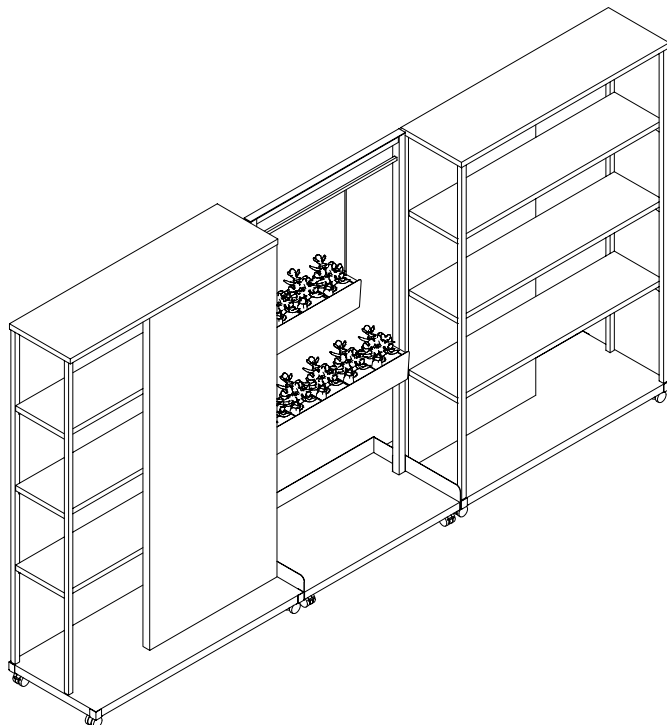
kiosks

open shelves kiosk (HDWO) / fixed open shelves kiosk (HDWOQ) (continued)

The following shows the dimensions for Open Shelves Kiosk (HDWO) and Fixed Open Shelves Kiosk (HDWOQ).



For optimal deployment of the Open Shelves Kiosks, it is advisable to arrange one unit facing forward and another facing rearward, embodying a balanced Yin and Yang concept.



kiosks

framed fabric add on for open shelves kiosk (HDAS)

This Framed Add-On board is sized specifically for Open Shelves Kiosk can be used in two applications:

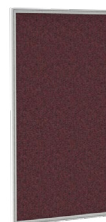
- 67" high x 30" is mounted to the back of Open Shelves Kiosk without Ledge
- 48" high x 30" is mounted to the back of Open Shelves Kiosk with Ledge



Dimensions:
30" wide x 48" or 67" high
Fabric Finish:
Select Teknion fabrics
Trim:
All paint finishes



67" high x 30" wide



48" high x 30" wide

kiosks

framed fabric add on for open shelves kiosk (HDAS) (continued)

PRODUCT OPTIONS

Height	Width	Fabric Finish	Frame Finish
48, 67	30	Panel Fabrics Upholstery Fabrics	Foundation Mica Accent

PRICING

		Upholstery Fabric										
Code	Dimensions	COM	Gr. 1	Gr. 2	Gr. 3	Gr. 4	Gr. 5	Gr. 6	Gr. 7	Gr. 8	Gr. 9	Gr. 10
HDAS	48"h x 30"w	575	685	788	887	994	1089	1176	1264	1352	1439	1526
HDAS	67"h x 30"w	729	870	1004	1128	1262	1382	1494	1605	1716	1827	1938

		Panel Fabric					
Code	Dimensions	COM Gr. A	Gr. 1	Gr. 2	Gr. 3	Gr. 4	Gr. 5
HDAS	48"h x 30"w	575	597	620	645	671	698
HDAS	67"h x 30"w	758	758	790	821	852	886

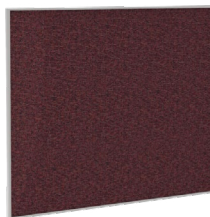
If Mica/Accent is specified, add 36

kiosks

framed fabric and whiteboard add-on (HDAF/HDAW)

Framed Add-On Boards are available tackable and whiteboard and can be used in two applications:

- Mounted to the front of a Kiosk that has a 36" high shelf (shown)
- Mounted to the back of a Kiosk with a 24" high optional rail



Framed Fabric Add-On
(HDAF)



Whiteboard Add-On
(HDAW)

Dimensions:

- 24" or 30" wide x 48" high (to finish the full width of the back of a Kiosk with a ledge two add-ons will be required)
- 24", 30" or 48" wide x 36" high (to finish the full width of the front of a Kiosk with a 36" high shelf one add-on will be required)

Finishes:

Whiteboard: Non magnetic writable laminate

Tackable: Select Teknion fabrics

Trim: All paint finishes

kiosks

framed fabric (HDAF)

PRODUCT OPTIONS

Height	Width	Fabric Finish	Frame Finish
72	48, 60	Panel Fabrics Upholstery Fabrics	Foundation Mica Accent

PRICING

		Upholstery Fabric										
Code	Dimensions	COM	Gr. 1	Gr. 2	Gr. 3	Gr. 4	Gr. 5	Gr. 6	Gr. 7	Gr. 8	Gr. 9	Gr. 10
HDAF	36"h x 24"w	263	310	356	404	451	492	540	587	634	681	728
HDAF	36"h x 30"w	281	328	375	422	469	534	581	628	675	722	769
HDAF	36"h x 48"w	353	400	447	495	541	672	720	767	814	860	907
HDAF	48"h x 24"w	285	331	378	425	473	543	590	638	685	731	778
HDAF	48"h x 30"w	311	358	405	452	499	588	635	683	729	776	823
HDAF	48"h x 48"w	391	437	484	532	579	739	785	833	880	927	974

		Panel Fabric					
Code	Dimensions	COM Gr. A	Gr. 1	Gr. 2	Gr. 3	Gr. 4	Gr. 5
HDAF	36"h x 24"w	263	270	281	294	304	316
HDAF	36"h x 30"w	281	292	304	316	329	342
HDAF	36"h x 48"w	353	370	383	399	415	431
HDAF	48"h x 24"w	285	298	311	322	335	348
HDAF	48"h x 30"w	311	322	335	348	362	377
HDAF	48"h x 48"w	391	405	421	438	455	474

If Mica/Accent is specified, add 36

kiosks

whiteboard add-on (HDAW)

PRODUCT OPTIONS

Height	Width	Whiteboard Finish	Frame Finish
48	24, 30, 48	Whiteboard Laminate	Foundation Mica Accent

PRICING

Code	Dimensions	Foundation Frame	Mica Frame	Accent Frame
HDAW	36"h x 24"w	429	447	447
HDAW	36"h x 30"w	459	477	477
HDAW	36"h x 48"w	563	581	581
HDAW	48"h x 24"w	461	480	480
HDAW	48"h x 30"w	497	514	514
HDAW	48"h x 48"w	670	688	688

kiosks

add-on boards (HOAB)

Add-On Boards are available in tackable fabric or whiteboard and can be used in two applications.

- Sitting freely on the ledge on the back of a Kiosk (shown)
- Stored or used on the Lift & Drop frame of a Gallery Kiosk



Configurations:

(T) 2 tackboards

(W) 2 whiteboards

(U) 1 tackboard/1 whiteboard

Dimensions:

30" wide x 48" high (each board)

Finishes

Whiteboard: non magnetic writable laminate with black edge

Tackboard: select Teknion fabrics



Add-On Boards
(HDABT)



Add-On Boards
(HDABW)

kiosks

add-on boards (HDAB) (continued)

PRODUCT OPTIONS

Add On Board Configuration	Tackboard	Whiteboard Finish
W Two Whiteboard Add-Ons T Two Tackboard Add-Ons U One Whiteboard Add-On and Tackboard Add-On	Whiteboard Panel Fabrics Upholstery Fabrics	Whiteboard Laminate

PRICING

Code	Product Name	Upholstery Fabric							Panel Fabric	
		COM	Gr. 1	Gr. 2	Gr. 3	Gr. 4	Gr. 5	Gr. 6	COM	Gr. 1
HDABT	Two Tackboard Add-Ons	625	640	791	941	1040	1139	1241	638	640
HDABU	One Whiteboard Add-On & One Tackboard Add-On	728	760	808	856	906	955	1007	739	741
		Whiteboard Finish								
HDABW	Two Whiteboard Add-Ons	843								

kiosks

retrofitable kits (HDAK)

Retrofitable Kit allows all Kiosks to be converted in the field; change from mobile to fixed, or fixed to mobile.



Four Casters with Corner bumper (HDAKC)

Detachable



Four Fixed Legs with Removable Skirt (HDAKL)

- For 48", 60" wide Kiosk
- Four coordinated paint colors are available to match Kiosk base color
- Can be used to ease installation and/or enable potential cable management.

Fully Welded Frame



Fixed Plinth (HDAKP)

- For "Open" Kiosks 36" wide only (HDWF, HDWP)
- Four coordinated paint colors are available to match Kiosk base color

PRODUCT OPTIONS

Width	Kit Type	Leg Finish
30, 48, 60	C Casters and Bumpers L Legs with Removable Skirt P Fixed Plinth	Foundation Laminate

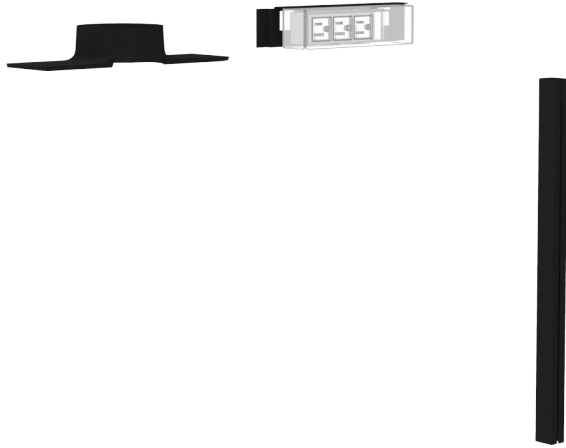
PRICING

Code	Dimensions	Description	Price
HDAKC	36"w	Casters and Bumpers	171
HDAKP	36"w	Fixed Plinth	187
HDAKC	48"w	Casters and Bumpers	172
HDAKL	48"w	Legs with Removable Skirt	187
HDAKC	60"w	Casters and Bumpers	177
HDAKL	60"w	Legs with Removable Skirt	187

kiosks

wire management kit (HDAZ)

The Cable Management Bundle is used to add power to a Kiosk.



Included:

- 16'-0" long vertical cable manager
- A molded wire loom with two detachable p-clips
- A metal attachment bracket that accepts a YEPD-7 power bar (power bar ordered separately)
- Bundle is already included in the Media Kiosk and the Media Chat Kiosk

Finish: Black

PRODUCT OPTIONS

Wire Management Kit
A AC Power Mount, Wire Loom, Vertical Manager

PRICING

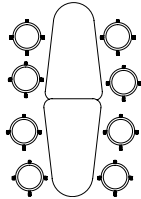
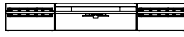
Code	Price
HDAZA	60

kiosks planning styles

Workplace settings can include a few Kiosks or additional ones can be brought in for added functionality.

TEAM SPACES

In team huddles Kiosks provide an owned space for brainstorming sessions. In workshop settings they are performance oriented and provide intuitive functionality. Kiosks provide technology support and space division. (Media Kiosk & Open Planter Kiosk)

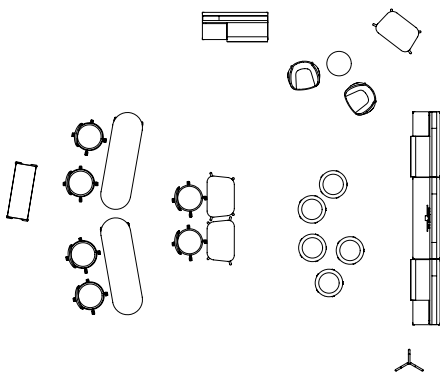


Enhance functionality with kiosks that bring remote workers into the activity, provide whiteboards and tackboards and a place for coats and bags. (Media Chat Kiosk, Gallery Kiosk & Mud Room Kiosk)



TRAINING AREAS

Kiosks are ideal when reconfiguration and scalability is required. They provide digital and analog options and bring remote workers into the activity. (Media Kiosk, Media Chat Kiosk & Gallery Kiosk)



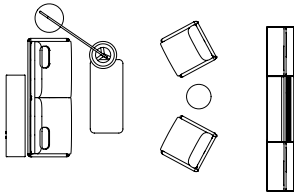
A place for coats and refreshments add to the functionality, while planters add the warmth of biophilia to the space. (Mud Room Kiosk, Servery Kiosk & Open Planter Kiosk)



kiosks planning styles

SOCIAL SPACES

Kiosks provide storage, a neutral backdrop and casual space division to a social space
(Storage Kiosk & Open Felt Kiosk)

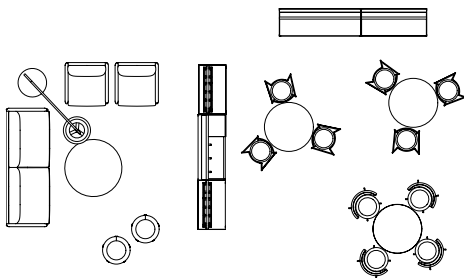


Biophilia and a place for refreshments adds comfort to the space.
(Servery Kiosk & Open Planter Kiosk)



CAFÉ SETTINGS

Kiosks provide the functionality required in a café/lounge setting including a place to hang your coat, have a coffee and recycle your waste.
(Mud Room Kiosk, Servery Kiosk & Recycle Kiosk)

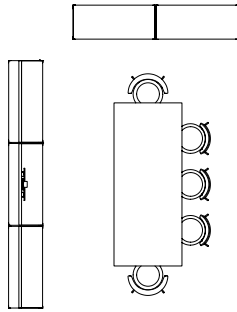


Casual open space division adds privacy between settings.
(Open Planter Kiosk & Open Felt Kiosk)



kiosks planning styles

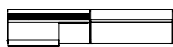
WORKSHOP/TEAM SPACE



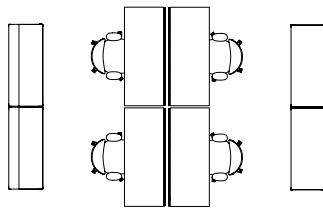
Extending beyond the traditional meeting room, gathering Kiosks together around a team-focused table instantly creates a destination for collaboration. With Kiosks, this team workshop space supports technology, personal storage and space division. (Locker Kiosk, Counter Storage Kiosk, Counter Recycling Kiosk and Media Kiosk).



TEAM FOCUS SPACE



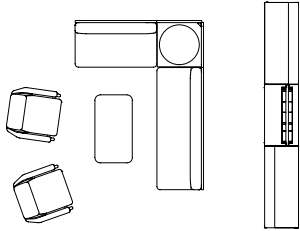
Heads down focus team space allows users to work together or independently. Surrounded by various storage solutions, tackboards or whiteboards, this type of Team Focus Space includes everything required for a productive work day. (Open Shelves Kiosk, Counter Storage Kiosk, Locker Kiosk and Gallery Kiosk)



kiosks planning styles

SOCIAL LOUNGE

Placed alone or grouping several Open Shelves Kiosks side by side forms desirable casual space division while maintaining a visual connection to areas beyond the lounge. These featured Kiosks are useful display units for showcasing items or storing materials. (Open Shelves Kiosk with Full-Height Fabric Add-on and Planter Kiosk).



planning with kiosks

The following Kiosk thought starters can be found on the Teknion Planning Tool.

 **TEKNION PLANNING TOOL – KIOSKS**





what are bookcases

The Open Bookcase and Open Console provide large scale and visually appealing space division.

They emphasize simplicity and seamlessly integrate with the Teknion portfolio.

A variety of accessories are available to enhance the functionality.



bookcases

open bookcase (OBTS)

The Open Bookcase serves the dual purpose of a display unit and a room partition. It allows for the showcasing of items while also defining and organizing separate areas in an office setting.

Top is always open →

18" deep shelf →

Solid Back always along the bottom →



← Back and Shelves Finish:
Foundation, Grade 2 Laminate,
Flintwood, Veneer

← Frame Finish:
Foundation, Mica, Accent

← Base cover is magnetic and removable,
it will default to the same frame finish

bookcases

open bookcase (OBTS) (continued)

PRODUCT OPTIONS

Height	Width	Divider Configuration	Back & Shelves Finish	Frame Finish	Fabric Divider Finish
81	30, 36, 48, 60	O Open C Two Pieces Fabric Corner Dividers S One High Fabric Tile D Two High Fabric Tile	Foundation Grade 2 Laminate Flintwood Veneer	Foundation Mica Accent	Panel Fabrics Upholstery Fabrics

PRICING

Code	Dimensions	Foundation Laminate	Grade 2 Laminate	Flintwood	Veneer
OBTS	81"h x 30"w	2196	2833	2314	2362
OBTS	81"h x 36"w	2329	2932	2469	2519
OBTS	81"h x 48"w	2563	3426	2818	2877
OBTS	81"h x 60"w	3415	4582	3600	3672

The following power options are available and added to the base price.

Code	Dimensions	Panel Fabric						Upholstery Fabric									
		COM/Gr.A	Gr.1	Gr.2	Gr.3	Gr.4	Gr.5	COM/Gr.1	Gr.2	Gr.3	Gr.4	Gr.5	Gr.6	Gr.7	Gr.8	Gr.9	Gr.10
OBTSC	81"h x 30"w	250	255	260	279	293	308	251	268	275	285	300	309	318	336	354	362
OBTSC	81"h x 36"w	250	255	260	279	293	308	251	268	275	285	300	309	318	336	354	362
OBTSC	81"h x 48"w	250	255	260	279	293	308	251	268	275	285	300	309	318	336	354	362
OBTSC	81"h x 60"w	250	255	260	279	293	308	251	268	275	285	300	309	318	336	354	362
OBTSS	81"h x 30"w	162	165	169	182	190	199	163	174	179	185	194	201	206	218	230	235
OBTSS	81"h x 36"w	189	192	196	211	221	232	190	203	208	215	227	233	240	254	267	273
OBTSS	81"h x 48"w	230	234	239	257	269	283	232	246	252	262	275	284	292	309	325	332
OBTSS	81"h x 60"w	345	351	359	385	405	424	347	370	379	394	414	426	438	463	488	499
OBTSD	81"h x 30"w	237	241	246	265	277	291	239	254	261	270	284	292	301	318	336	343
OBTSD	81"h x 36"w	313	318	325	349	367	383	315	335	343	356	374	385	397	420	443	452
OBTSD	81"h x 48"w	351	357	366	393	412	431	353	376	387	400	421	433	446	472	497	508
OBTSD	81"h x 60"w	509	517	529	568	596	624	512	544	559	580	610	628	646	683	720	736

If Open (O) or Two Pieces Fabric Corner Dividers (C) are specified:

- 30" wide, add 68
- 48" wide, add 71
- 60" wide, add 78
- 72" wide, add 104

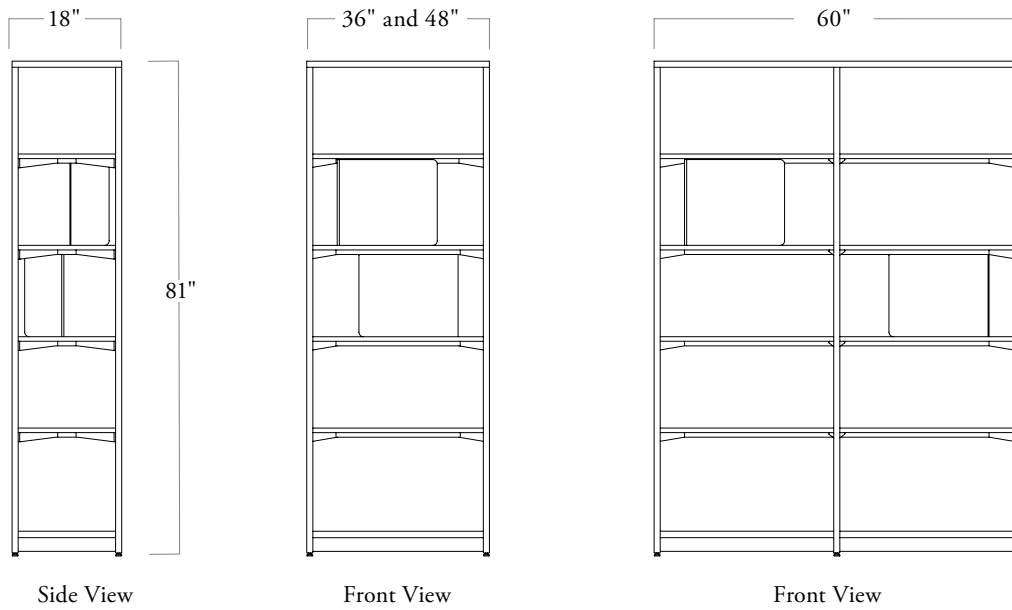
If One High Fabric Tile (S) or Two High Fabric Tile (D) are specified:

- 30" wide, add 75
- 48" wide, add 78
- 60" wide, add 94
- 72" wide, add 119

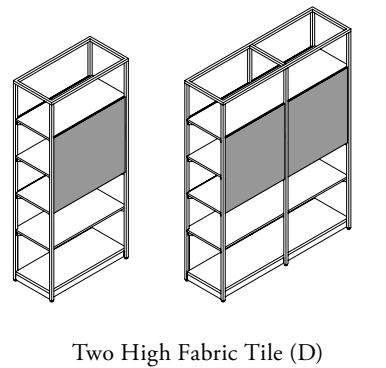
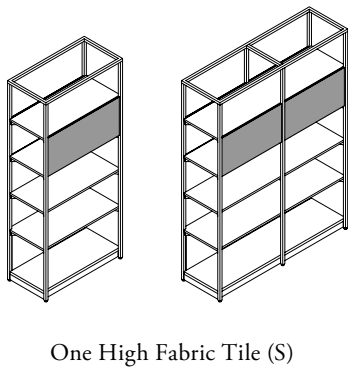
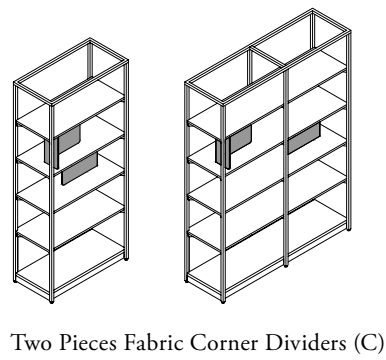
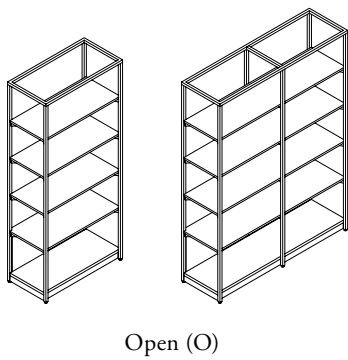
bookcases

open bookcase (OBTS) (continued)

The following shows the dimensions for Open Bookcase (OBTS).



The following configurations are available.



bookcases

open console (OBTC)

The Open Console serves as a multi-functional centerpiece, offering versatile storage and display solutions that blend seamlessly into any workspace.



PRODUCT OPTIONS

Height	Width	Configuration	Back & Shelves Finish	Frame Finish
36	36, 48, 60, 72	O Open	Foundation Grade 2 Laminate Flintwood Veneer	Foundation Mica Accent

PRICING

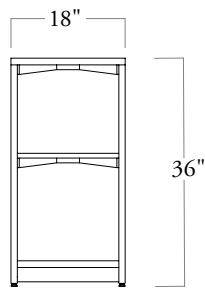
Code	Dimensions	Foundation Laminate	Grade 2 Laminate	Flintwood	Veneer
OBTC	36"h x 36"w	1382	1783	1512	1558
OBTC	36"h x 48"w	1507	2056	1697	1756
OBTC	36"h x 60"w	2009	2766	2180	2248
OBTC	36"h x 72"w	2113	2922	2495	2492

If Mica/Accent is specified for:
30" wide, add 42
48" wide, add 47
60" wide, add 60
72" wide, add 63

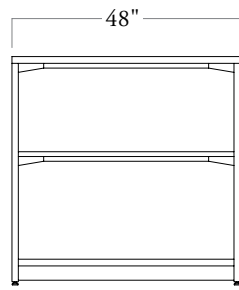
bookcases

open console (OBTC) (continued)

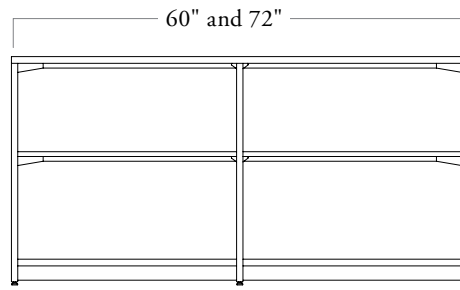
The following shows the dimensions for Open Console (OBTC).



Side View



Front View



Front View

bookcases

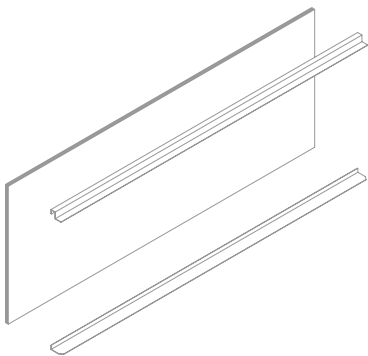
fabric tile (OBFT)

Fabric Tiles, as applied to Open Bookcase (OBTS), serve both aesthetic and functional purposes. They enhance the visual appeal of the Bookcases by adding a touch of color and texture, contributing to the overall design theme of the space.



Width beyond 48" will have two tiles.

The Fabric Tiles includes Steel brackets.



bookcases

fabric tile (OBFT) (continued)

PRODUCT OPTIONS

Height	Width	Fabric Finish	Metal Bracket Finish
S One High Fabric Tile D Two High Fabric Tile	24, 30, 36, 42, 48, 54, 60, 66, 72	Panel Fabrics Upholstery Fabrics	Foundation Mica Accent

PRICING

Code	Width	Panel Fabric						Upholstery Fabric										
		COM/Gr.A	Gr.1	Gr.2	Gr.3	Gr.4	Gr.5	COM	Gr.1	Gr.2	Gr.3	Gr.4	Gr.5	Gr.6	Gr.7	Gr.8	Gr.9	Gr.10
OBFTS	24"	233	236	241	260	272	285	234	248	264	271	282	296	304	314	331	349	356
OBFTS	30"	237	241	246	265	277	291	238	254	269	276	287	301	311	320	338	356	364
OBFTS	36"	313	318	325	349	367	383	315	335	355	366	379	398	410	422	446	471	481
OBFTS	42"	329	336	343	368	387	404	331	352	375	384	399	420	432	445	470	496	506
OBFTS	48"	352	357	366	393	412	431	354	376	400	410	426	448	461	475	502	529	540
OBFTS	54"	451	459	469	504	529	554	454	483	513	527	547	575	591	609	643	678	693
OBFTS	60"	509	517	529	568	596	624	511	544	579	594	616	647	667	687	725	765	781
OBFTS	66"	630	640	655	703	738	773	634	673	716	736	763	802	825	850	898	947	967
OBFTS	72"	661	671	687	738	774	810	665	707	751	771	800	842	865	891	942	993	1015
OBFTD	24"	146	149	152	163	171	180	148	157	166	170	178	186	192	197	209	220	224
OBFTD	30"	162	164	168	181	189	198	163	174	184	189	196	206	212	218	231	243	248
OBFTD	36"	188	191	195	210	220	231	189	202	214	220	228	240	247	255	268	283	289
OBFTD	42"	198	202	206	221	232	243	199	212	225	232	240	252	260	267	283	298	304
OBFTD	48"	229	233	238	256	268	281	231	245	261	267	277	292	300	309	326	344	352
OBFTD	54"	331	337	344	370	389	406	334	354	377	387	401	422	434	447	473	498	509
OBFTD	60"	344	349	357	383	402	422	346	368	391	401	416	437	450	463	489	516	528
OBFTD	66"	377	383	392	422	443	463	379	403	429	441	457	480	495	509	538	567	580
OBFTD	72"	397	403	412	443	464	487	399	424	451	463	480	505	520	535	565	596	610

If Mica/Accent is specified for:

24" & 30" wide,	add 7
36" wide,	add 9
42" & 48" wide,	add 10
54" wide,	add 14
60" wide,	add 16
66" wide,	add 19
72" wide,	add 20

bookcases

fabric corner divider (OBCD)

Fabric Corner Divider is specifically engineered for integration with Open Bookcase (OBTS), facilitating a refined and cohesive aesthetic when set up initially and meant to remain unchanged. They can be easily repositioned without requiring any tools, allowing for versatile planning options. However, they are designed for occasional rather than daily reconfiguration by end users.



Fabric Corner Divider
(OBCD)

PRODUCT OPTIONS

Width	Finish
17	Panel Fabrics Upholstery Fabrics

PRICING

Code	Panel Fabric						Upholstery Fabric										
	COM/ Gr.A	Gr.1	Gr.2	Gr.3	Gr.4	Gr.5	COM	Gr.1	Gr.2	Gr.3	Gr.4	Gr.5	Gr.6	Gr.7	Gr.8	Gr.9	Gr.10
OBCD	126	128	131	140	148	154	127	134	143	146	152	160	165	169	180	189	193

bookcases

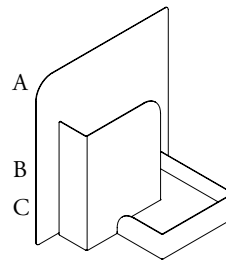
book end (OBBE)

The Book End is a versatile accessory designed to offer stability and organization to any bookcase setup, keeping literature neatly in place.



Book End
(OBBE)

Book Ends can be specified with individual or matching finishes.



A, B, C Metal Finish:
Foundation, Mica, Accent

PRODUCT OPTIONS

"A" Metal Finish	"B" Metal Finish	"C" Metal Finish
Foundation Mica Accent	Foundation Mica Accent	Foundation Mica Accent

PRICING

Code	"A" Metal Finish	
	Foundation	Mica/Accent
OBBE	71	73

If Mica/Accent is specified for "B" Metal Finish, add 2

If Mica/Accent is specified for "C" Metal Finish, add 2

bookcases

planter (OBPB)

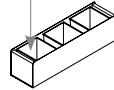
This stand alone Planter adds a natural aesthetic to the workspace. Compatible with various bookcases, it invites a refreshing element to any office environment.



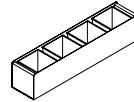
Planter
(OBPB)

The Planter includes liners that vary with widths.

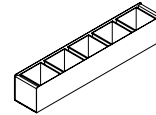
Liner



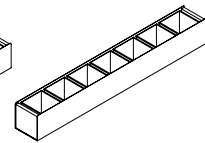
24" Wide
Three Units



30" Wide
Four Units



36" Wide
Five Units



48" Wide
Seven Units

PRODUCT OPTIONS

Depth	Width	Finish
06	24, 30, 36, 48	Foundation Mica Accent

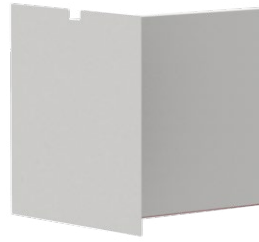
PRICING

Code	Dimensions	Foundation	Mica/Accent
OBPB	6" d x 24" w	118	122
OBPB	6" d x 30" w	130	134
OBPB	6" d x 36" w	154	159
OBPB	6" d x 48" w	189	195

bookcases

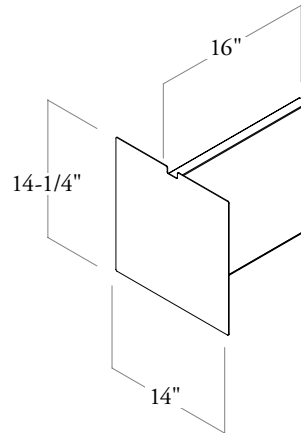
metal T-divider (OBTD)

The Metal T-Divider for Open Bookcase (OBTS) efficiently segments shelf space, allowing for organized storage and item distinction.



Metal T-Divider
(OBTD)

The following shows the dimensions for Metal T-Divider (OBTD).



PRODUCT OPTIONS

Width	Metal Finish
16	Foundation Mica Accent

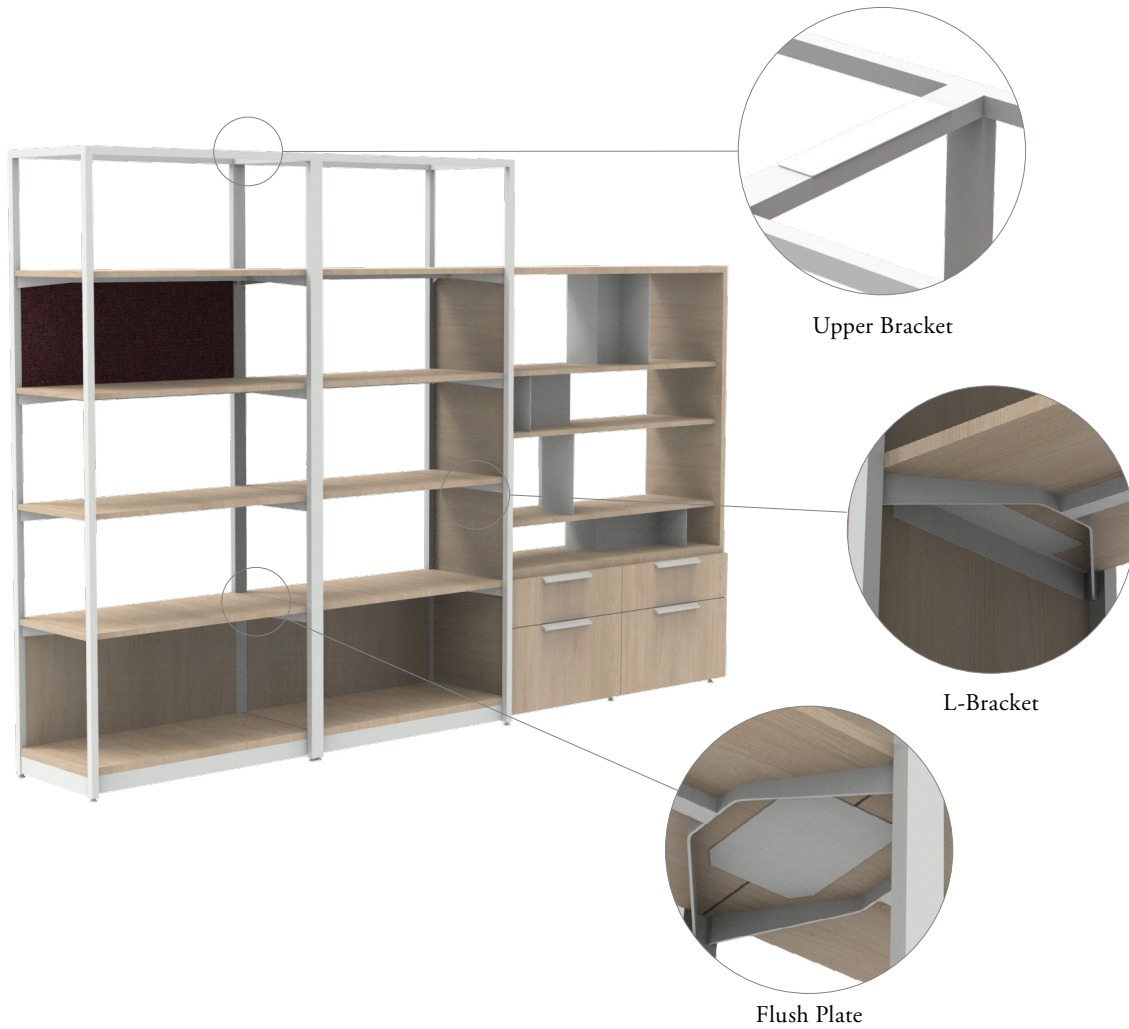
PRICING

Code	Foundation	Mica/Accent
OBTD	106	110

bookcases

tethers (OBTT)

Tethers are utilized to securely connect and align Open Bookcases, ensuring stability and cohesion within an office environment.



PRODUCT OPTIONS

Width	Metal Finish
F Flush Plate B L-Bracket U Upper Bracket & Flush Plate	Foundation Mica Accent

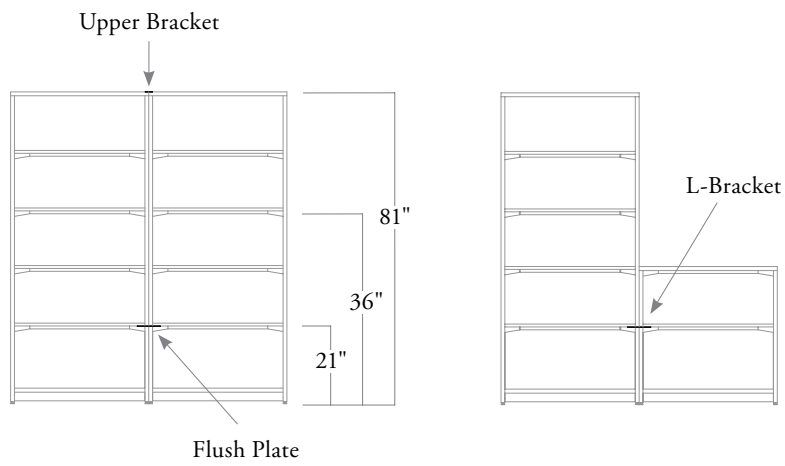
PRICING

Code	Foundation	Mica/Accent
OBTF	19	20
OBTB	19	20
OBTU	28	29

bookcases

tethers (OBTT) (continued)

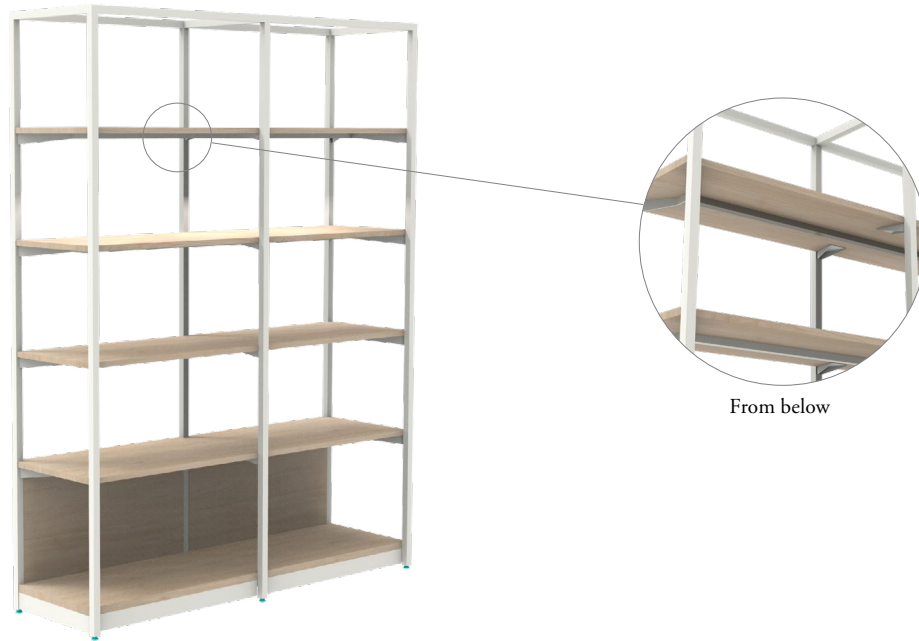
Tethers are recommended when connecting between Open Bookcases and with Open Consoles.



bookcases

lighting kit (OBLK)

The Lighting Kit is specifically tailored to enhance the Open Bookcase (OBTS), providing both functional illumination for display items and ambient lighting to elevate the overall aesthetic.



Included:

- One kit which includes three light bars
- One AC cord
- Full length cable shrouds

Note:

- The Light Bars width for a:
 - 36" bookcase is 24"
 - 48" bookcase is 36"
 - 60" bookcase is 48"

PRODUCT OPTIONS

Configuration	Metal Finish
A 36" Width Light Kit B 48" Width Light Kit C 60" Width Light Kit	Foundation Mica Accent

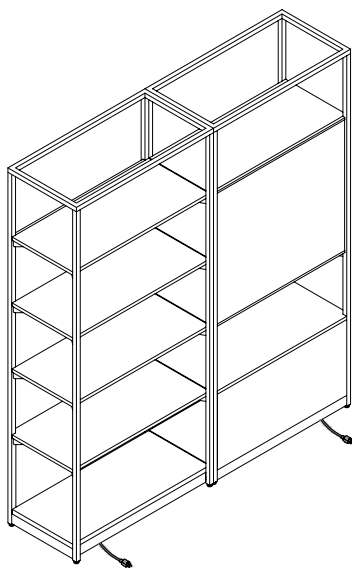
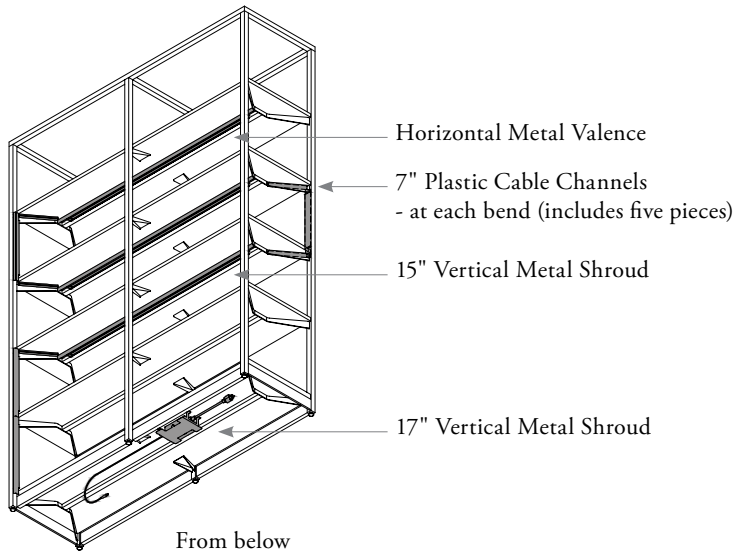
PRICING

Code	Foundation	Mica/Accent
OBBEA	307	316
OBEBB	354	365
OBEEC	425	437

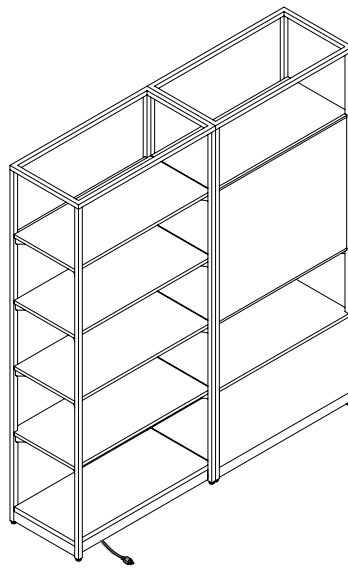
bookcases

lighting kit (OBLK) (continued)

Lighting Kits are only applicable to Open Bookcase widths 36", 48" and 60".



One plug is required per bookcase.
Up to three lights on separate levels.

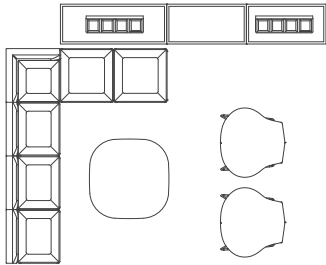


Cannot link lighting across to join another bookcase.

bookcases planning styles

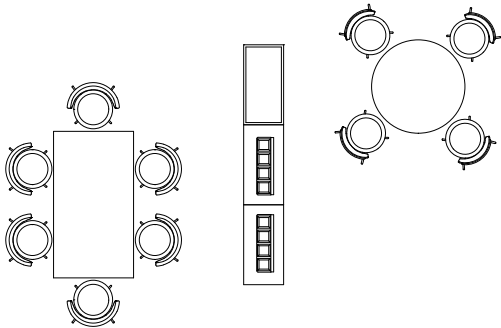
LOUNGE AREA

Positioning several open bookcases in a lounge space not only offers versatile storage but also creates a casual socializing area. This setup emphasizes an inviting, informal seating arrangement where users can connect in a relaxed environment. The open bookcases serve as both storage units and space dividers, maintaining an open, welcoming atmosphere while subtly sectioning off the lounge area. (Open Bookcase).



COLLABORATION AREA SPACE DIVISION

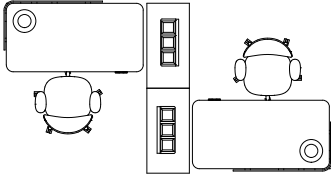
Open bookcases and consoles define a collaborative workspace, providing structure while fostering interaction among team members. This arrangement balances functionality and connectivity, with the open bookcase and console acting as subtle partitions that maintain a visual flow across the room. Ideal for promoting a dynamic, teamwork-oriented environment. (Open Bookcase, Open Console).



bookcases planning styles

WORKSTATION DIVISION

Utilizing open consoles to divide workstations brings a sense of order and organization to the workspace. The consoles offer storage solutions while also delineating personal work areas, supporting focused individual work while maintaining an overall cohesive design. This setup is perfect for enhancing productivity and organization in a professional environment. (Open Console).



teknion

www.teknion.com

CAN/US/INT 01-27

©Teknion 2025

®, ™ trade marks of Teknion Corporation
and/or its subsidiaries or licensed to it.
Patents may be pending.

Some products may not be available in
all markets. Contact your local Teknion
Representative for availability.

JAN25-KIOSK