

bookcases

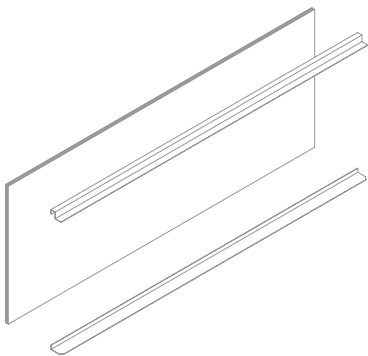
fabric tile (OBFT)

Fabric Tiles, as applied to Open Bookcase (OBTS), serve both aesthetic and functional purposes. They enhance the visual appeal of the Bookcases by adding a touch of color and texture, contributing to the overall design theme of the space.



Width beyond 48" will have two tiles.

The Fabric Tiles includes Steel brackets.



bookcases

fabric tile (OBFT) (continued)

PRODUCT OPTIONS

Height	Width	Fabric Finish	Metal Bracket Finish
S One High Fabric Tile D Two High Fabric Tile	24, 30, 36, 42, 48, 54, 60, 66, 72	Panel Fabrics Upholstery Fabrics	Foundation Mica Accent

PRICING

Code	Width	Panel Fabric						Upholstery Fabric										
		COM/Gr.A	Gr.1	Gr.2	Gr.3	Gr.4	Gr.5	COM	Gr.1	Gr.2	Gr.3	Gr.4	Gr.5	Gr.6	Gr.7	Gr.8	Gr.9	Gr.10
OBFTS	24"	233	236	241	260	272	285	234	248	264	271	282	296	304	314	331	349	356
OBFTS	30"	237	241	246	265	277	291	238	254	269	276	287	301	311	320	338	356	364
OBFTS	36"	313	318	325	349	367	383	315	335	355	366	379	398	410	422	446	471	481
OBFTS	42"	329	336	343	368	387	404	331	352	375	384	399	420	432	445	470	496	506
OBFTS	48"	352	357	366	393	412	431	354	376	400	410	426	448	461	475	502	529	540
OBFTS	54"	451	459	469	504	529	554	454	483	513	527	547	575	591	609	643	678	693
OBFTS	60"	509	517	529	568	596	624	511	544	579	594	616	647	667	687	725	765	781
OBFTS	66"	630	640	655	703	738	773	634	673	716	736	763	802	825	850	898	947	967
OBFTS	72"	661	671	687	738	774	810	665	707	751	771	800	842	865	891	942	993	1015
OBFTD	24"	146	149	152	163	171	180	148	157	166	170	178	186	192	197	209	220	224
OBFTD	30"	162	164	168	181	189	198	163	174	184	189	196	206	212	218	231	243	248
OBFTD	36"	188	191	195	210	220	231	189	202	214	220	228	240	247	255	268	283	289
OBFTD	42"	198	202	206	221	232	243	199	212	225	232	240	252	260	267	283	298	304
OBFTD	48"	229	233	238	256	268	281	231	245	261	267	277	292	300	309	326	344	352
OBFTD	54"	331	337	344	370	389	406	334	354	377	387	401	422	434	447	473	498	509
OBFTD	60"	344	349	357	383	402	422	346	368	391	401	416	437	450	463	489	516	528
OBFTD	66"	377	383	392	422	443	463	379	403	429	441	457	480	495	509	538	567	580
OBFTD	72"	397	403	412	443	464	487	399	424	451	463	480	505	520	535	565	596	610

If Mica/Accent is specified for:

24" & 30" wide,	add 7
36" wide,	add 9
42" & 48" wide,	add 10
54" wide,	add 14
60" wide,	add 16
66" wide,	add 19
72" wide,	add 20

bookcases

fabric corner divider (OBCD)

Fabric Corner Divider is specifically engineered for integration with Open Bookcase (OBTS), facilitating a refined and cohesive aesthetic when set up initially and meant to remain unchanged. They can be easily repositioned without requiring any tools, allowing for versatile planning options. However, they are designed for occasional rather than daily reconfiguration by end users.



Fabric Corner Divider (OBCD)

PRODUCT OPTIONS

Width	Finish
17	Panel Fabrics Upholstery Fabrics

PRICING

Code	Panel Fabric						Upholstery Fabric										
	COM/ Gr.A	Gr.1	Gr.2	Gr.3	Gr.4	Gr.5	COM	Gr.1	Gr.2	Gr.3	Gr.4	Gr.5	Gr.6	Gr.7	Gr.8	Gr.9	Gr.10
OBCD	126	128	131	140	148	154	127	134	143	146	152	160	165	169	180	189	193

bookcases

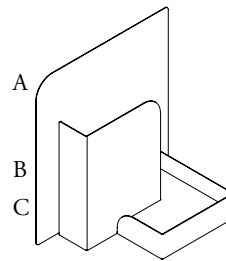
book end (OBBE)

The Book End is a versatile accessory designed to offer stability and organization to any bookcase setup, keeping literature neatly in place.



Book End
(OBBE)

Book Ends can be specified with individual or matching finishes.



A, B, C Metal Finish:
Foundation, Mica, Accent

PRODUCT OPTIONS

"A" Metal Finish	"B" Metal Finish	"C" Metal Finish
Foundation Mica Accent	Foundation Mica Accent	Foundation Mica Accent

PRICING

Code	"A" Metal Finish	
	Foundation	Mica/Accent
OBBE	71	73

If Mica/Accent is specified for "B" Metal Finish, add 2

If Mica/Accent is specified for "C" Metal Finish, add 2

bookcases

planter (OBPB)

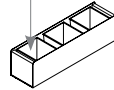
This stand alone Planter adds a natural aesthetic to the workspace. Compatible with various bookcases, it invites a refreshing element to any office environment.



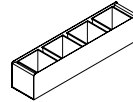
Planter
(OBPB)

The Planter includes liners that vary with widths.

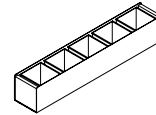
Liner



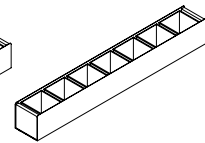
24" Wide
Three Units



30" Wide
Four Units



36" Wide
Five Units



48" Wide
Seven Units

PRODUCT OPTIONS

Depth	Width	Finish
06	24, 30, 36, 48	Foundation Mica Accent

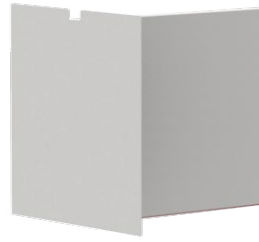
PRICING

Code	Dimensions	Foundation	Mica/Accent
OBPB	6" d x 24" w	118	122
OBPB	6" d x 30" w	130	134
OBPB	6" d x 36" w	154	159
OBPB	6" d x 48" w	189	195

bookcases

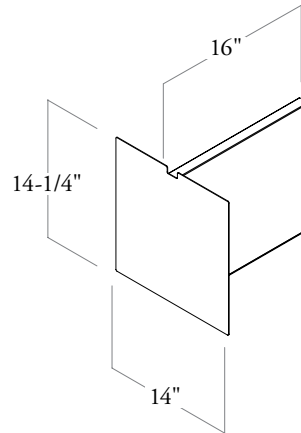
metal T-divider (OBTD)

The Metal T-Divider for Open Bookcase (OBTS) efficiently segments shelf space, allowing for organized storage and item distinction.



Metal T-Divider
(OBTD)

The following shows the dimensions for Metal T-Divider (OBTD).



PRODUCT OPTIONS

Width	Metal Finish
16	Foundation Mica Accent

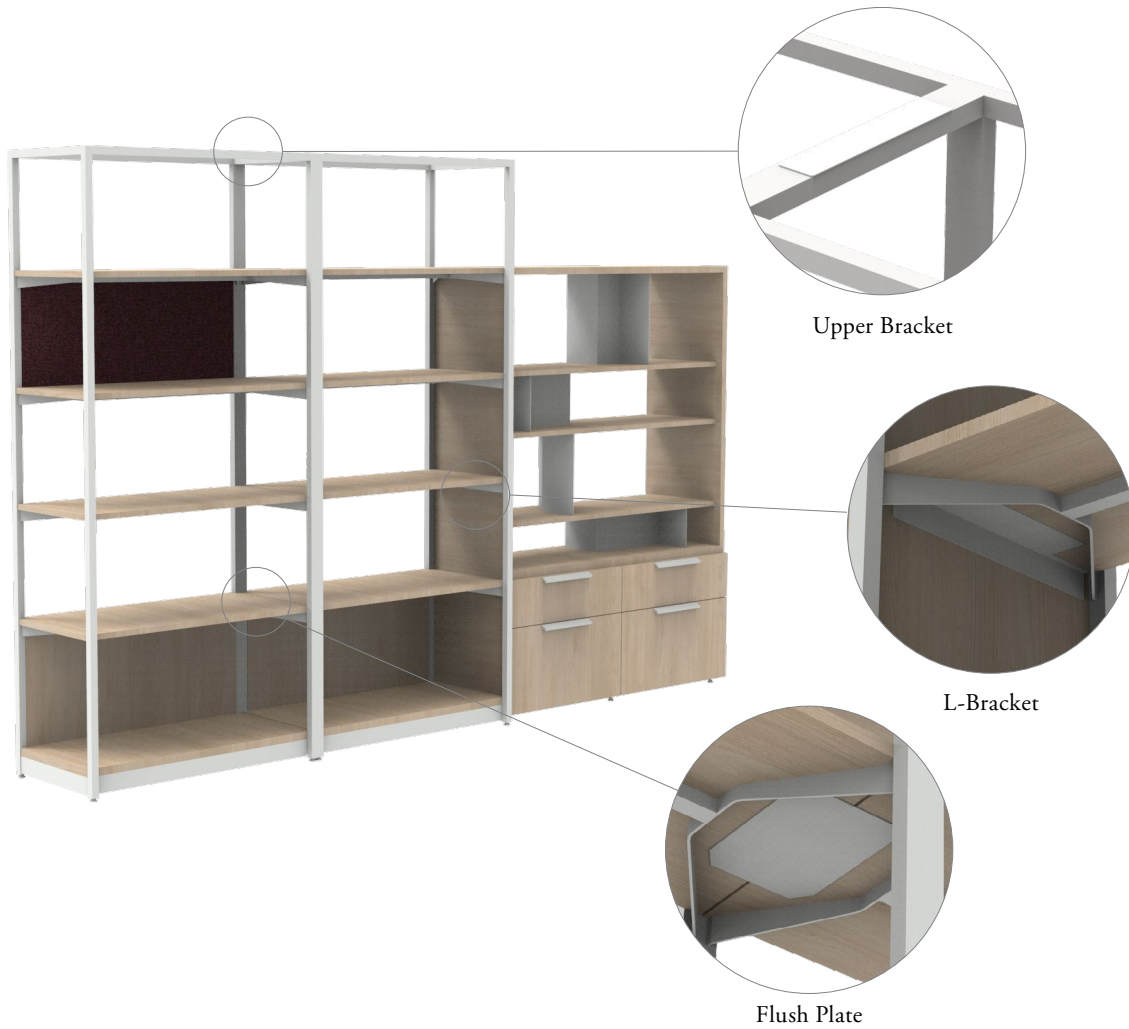
PRICING

Code	Foundation	Mica/Accent
OBTD	106	110

bookcases

tethers (OBTT)

Tethers are utilized to securely connect and align Open Bookcases, ensuring stability and cohesion within an office environment.



PRODUCT OPTIONS

Width	Metal Finish
F Flush Plate B L-Bracket U Upper Bracket & Flush Plate	Foundation Mica Accent

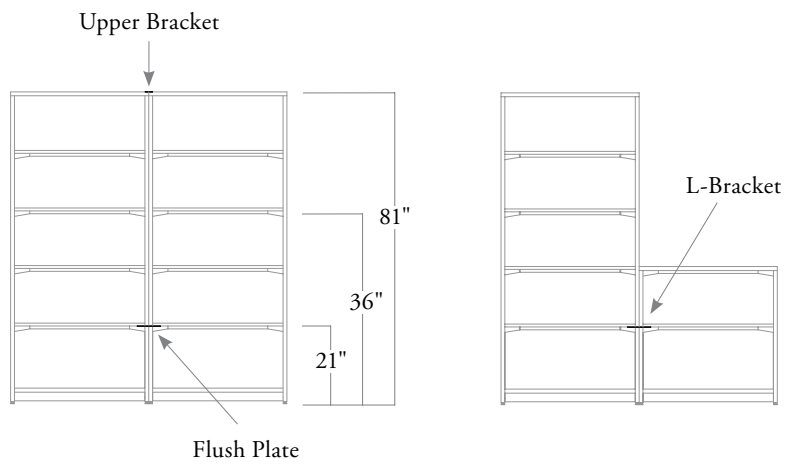
PRICING

Code	Foundation	Mica/Accent
OBTF	19	20
OBTB	19	20
OBTU	28	29

bookcases

tethers (OBTT) (continued)

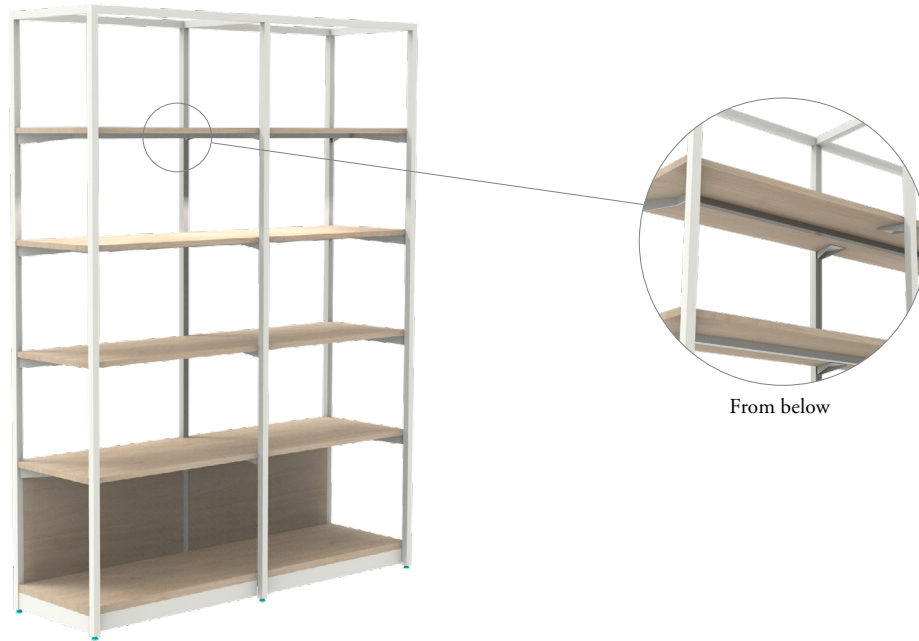
Tethers are recommended when connecting between Open Bookcases and with Open Consoles.



bookcases

lighting kit (OBLK)

The Lighting Kit is specifically tailored to enhance the Open Bookcase (OBTS), providing both functional illumination for display items and ambient lighting to elevate the overall aesthetic.



Included:

- One kit which includes three light bars
- One AC cord
- Full length cable shrouds

Note:

- The Light Bars width for a:
 - 36" bookcase is 24"
 - 48" bookcase is 36"
 - 60" bookcase is 48"

PRODUCT OPTIONS

Configuration	Metal Finish
A 36" Width Light Kit B 48" Width Light Kit C 60" Width Light Kit	Foundation Mica Accent

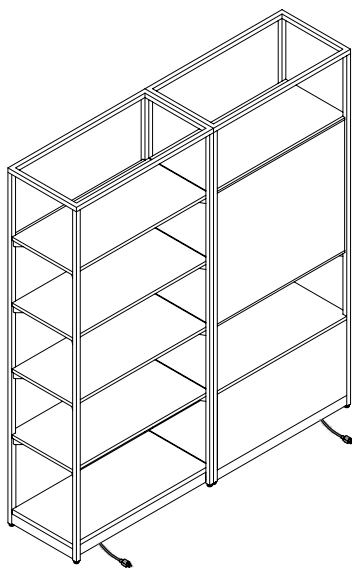
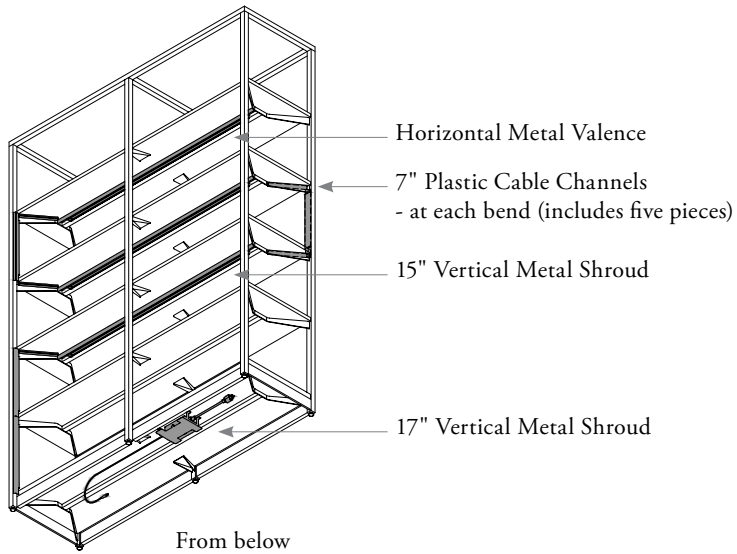
PRICING

Code	Foundation	Mica/Accent
OBBEA	307	316
OBEBB	354	365
OBEEC	425	437

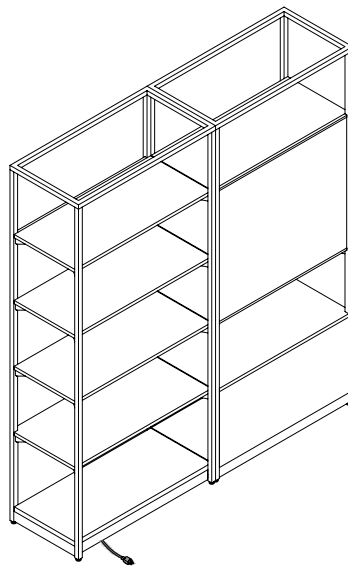
bookcases

lighting kit (OBLK) (continued)

Lighting Kits are only applicable to Open Bookcase widths 36", 48" and 60".



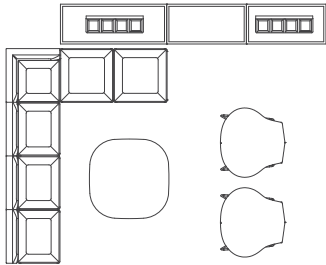
One plug is required per bookcase.
Up to three lights on separate levels.



Cannot link lighting across to join another bookcase.

bookcases planning styles

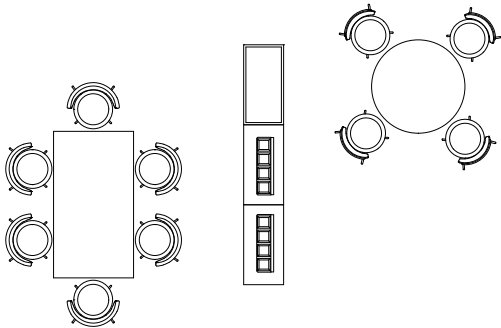
LOUNGE AREA



Positioning several open bookcases in a lounge space not only offers versatile storage but also creates a casual socializing area. This setup emphasizes an inviting, informal seating arrangement where users can connect in a relaxed environment. The open bookcases serve as both storage units and space dividers, maintaining an open, welcoming atmosphere while subtly sectioning off the lounge area. (Open Bookcase).



COLLABORATION AREA SPACE DIVISION



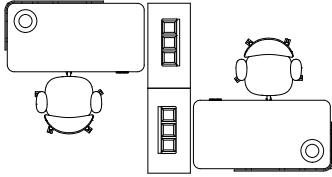
Open bookcases and consoles define a collaborative workspace, providing structure while fostering interaction among team members. This arrangement balances functionality and connectivity, with the open bookcase and console acting as subtle partitions that maintain a visual flow across the room. Ideal for promoting a dynamic, teamwork-oriented environment. (Open Bookcase, Open Console).



bookcases planning styles

WORKSTATION DIVISION

Utilizing open consoles to divide workstations brings a sense of order and organization to the workspace. The consoles offer storage solutions while also delineating personal work areas, supporting focused individual work while maintaining an overall cohesive design. This setup is perfect for enhancing productivity and organization in a professional environment. (Open Console).



teknion

www.teknion.com

CAN/US/INT 01-27

©Teknion 2025

®, ™ trade marks of Teknion Corporation
and/or its subsidiaries or licensed to it.
Patents may be pending.

Some products may not be available in
all markets. Contact your local Teknion
Representative for availability.

JAN25-KIOSK