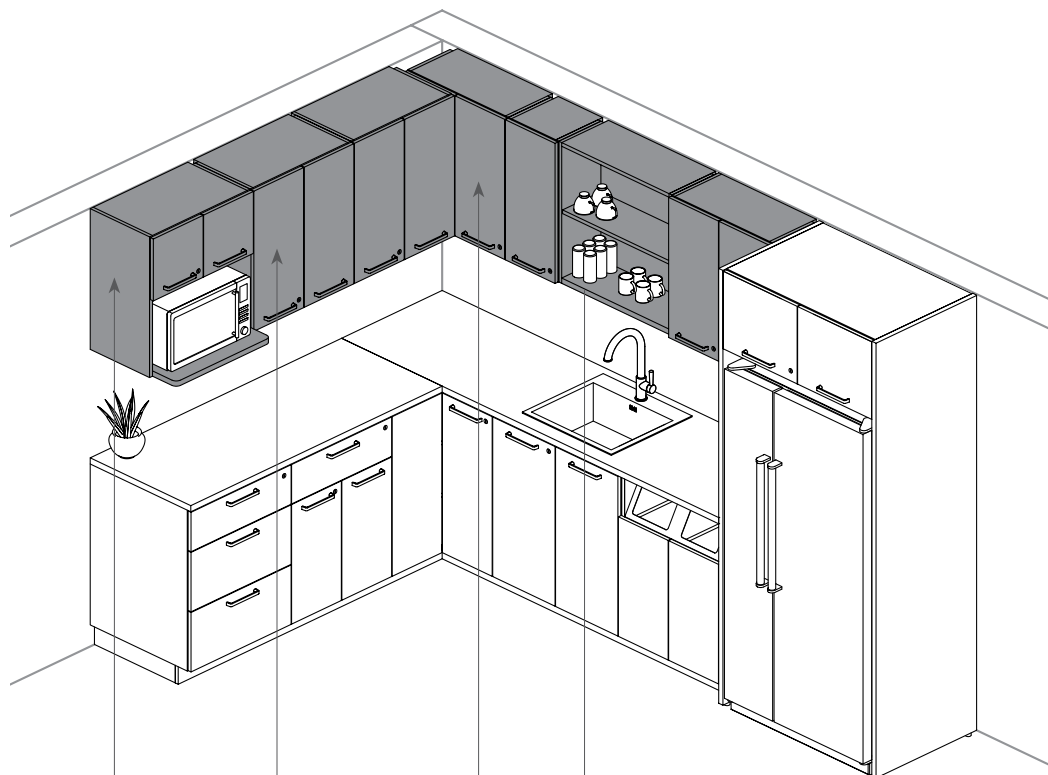


# upper cabinets

UNDERSTANDING UPPER CABINETS . . . . .	18
UPPER CABINETS COMPONENTS. . . . .	21
UPPER CABINETS BASICS . . . . .	22
PLANNING WITH UPPER CABINETS	
LIGHT MANAGEMENT SPECIFICATION . . . . .	25
PLANNING WITH LIGHT MANAGEMENT . . . . .	25
INTEGRATED END PANEL SPECIFICATION . . . . .	26
WALL-MOUNTED RAIL FOR UPPER CABINET DETAILS & INTERIOR CLEARANCE. . . . .	27
CUT-OUT FOR UPPER CABINET – MICROWAVE SECTION & DOORS . . . . .	28
PLANNING WITH UPPER CABINET FOR BLIND CORNER. . . . .	29

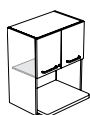
# understanding upper cabinets

Upper Cabinets are available in many styles and dimensions for maximum configuration possibilities. They can be used alone or mounted above base cabinets to provide convenient open or closed storage.



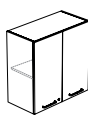
## Upper Cabinets

• Nine styles are available:

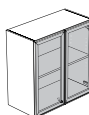


Microwave Section & Doors (CEUMS)

- Comes with two doors and one open section for microwave
- An optional Pass-Through Grommet is available to access wall outlets
- 30" to 42" high cabinets come with one adjustable shelf

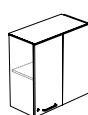


Door(s) (CEUS)

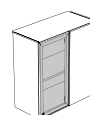


Glass Door(s) (CEUG)

Come with one adjustable shelf

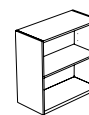


Blind Corner – Door (CEUCS)



Blind Corner – Glass Door (CEUCG)

- Allow a corner application
- The Fixed Panel is always half the width of the cabinet



Open (CEUO)

Comes with one adjustable or fixed shelf. Adjustable shelf allows for more functionality while fixed shelf allows for a cleaner look without pre-drill holes

For Finishes; see page 22

For Pull Styles; see page 120

For Lock Chart; see page 122

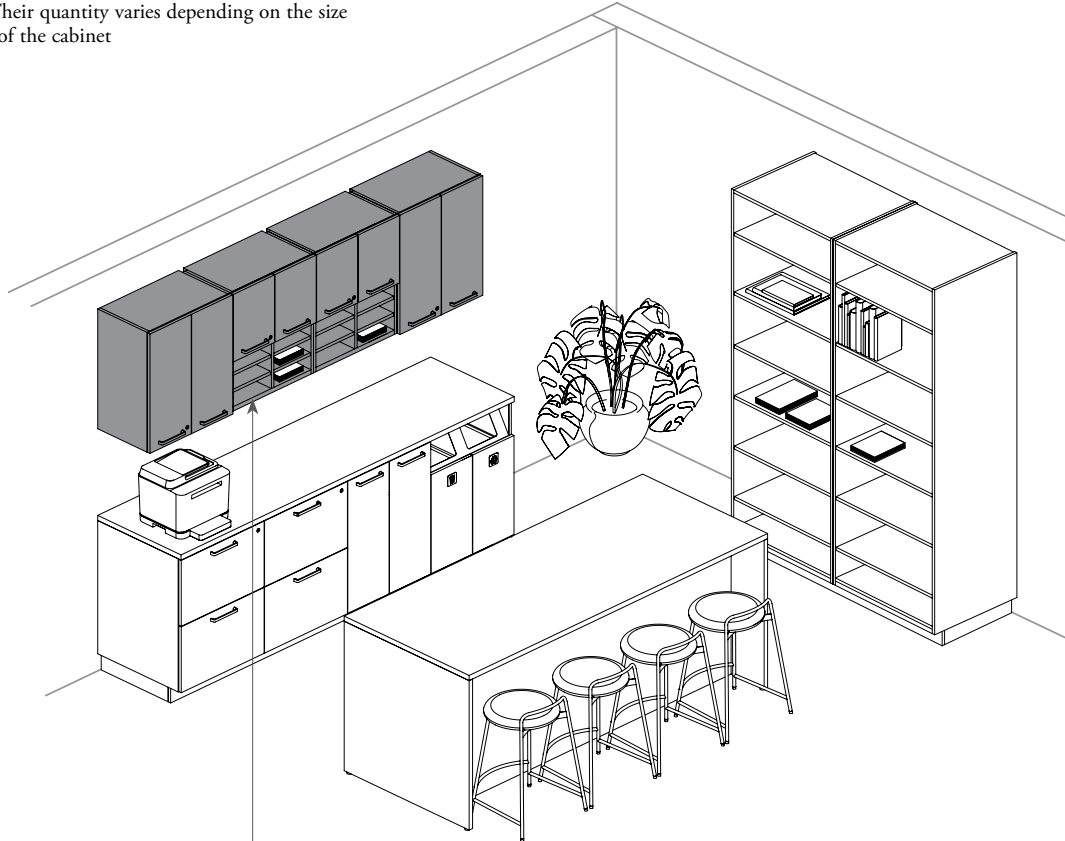
For Cabinets Product Offering; see page 126

For Grain Direction; see page 132

# understanding upper cabinets (continued)

## Upper Cabinets (continued)

The upper cabinets, on this page, come with removable laminate shelves. Their quantity varies depending on the size and configuration of the cabinet

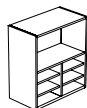


Also available:



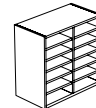
Pigeonholes Section & Door(s) (CEUPS)

- Only 30" to 42" high cabinets come with one adjustable shelf in the upper section



Pigeonholes Section & Open (CEUPO)

- Only 30" to 42" high cabinets come with one adjustable shelf in the upper section



Pigeonholes (CEUPL)

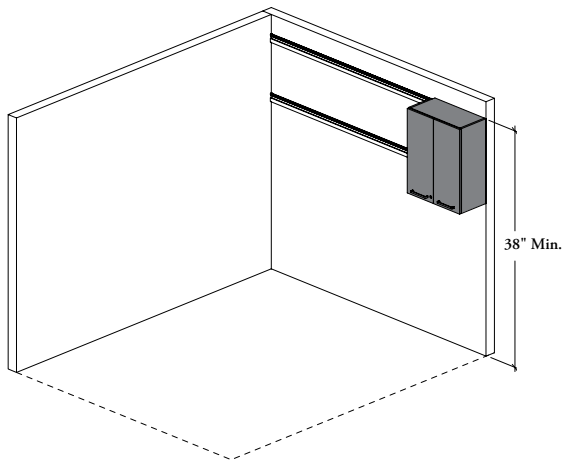
- Pigeonhole openings vary depending on the size and configuration of the cabinet
- Pigeonhole shelves are removable but **not** adjustable

## understanding upper cabinets (continued)

The following steps should be followed when planning with Upper Cabinets.

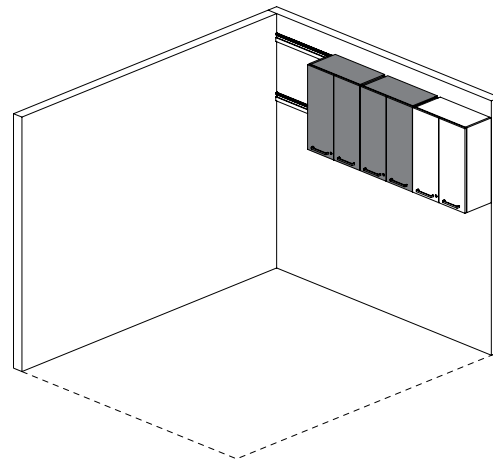
### how to plan

- Top of upper cabinets must be installed higher than 38" from ground
- Exact wall dimensions should be confirmed before choosing the cabinet widths
- The overall depth of the cabinet includes the Wall-Mounted Rail
- It is the responsibility of the installer to properly attach Wall-Mounted Rails to the wall; additional wall reinforcement is **not** required when using Wall-Mounted Rails



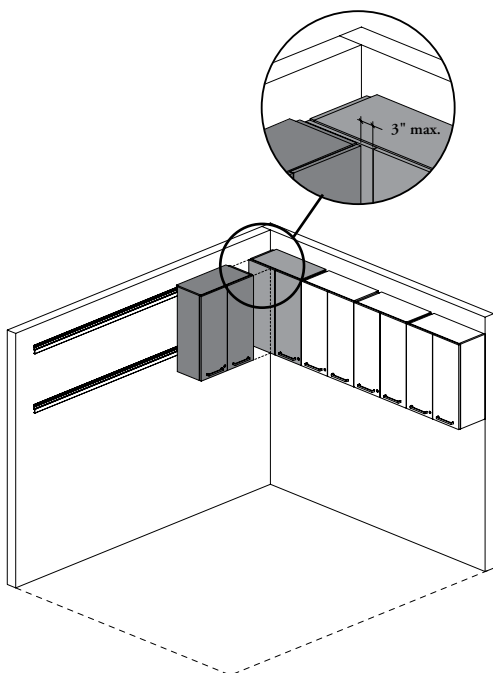
#### step 1

Place the first cabinet in the opposite corner



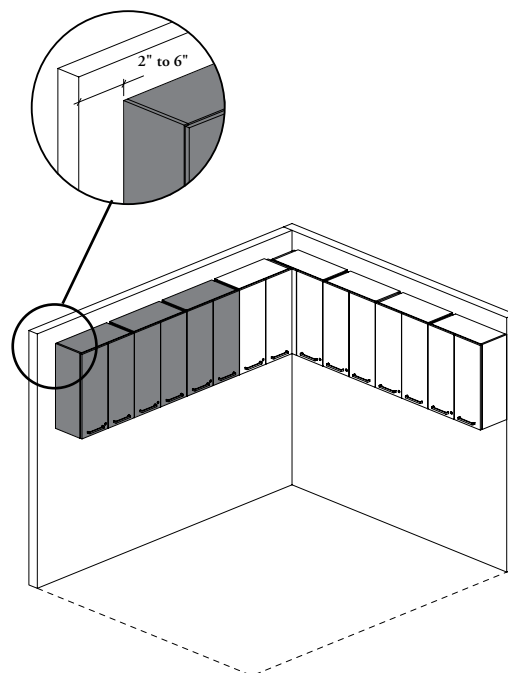
#### step 2

Arrange remaining cabinets along the wall



#### step 3

Finish the row with a Blind Corner Cabinet (Left or Right) and start the new row with an adjacent cabinet. Choose the cabinet dimensions so that a maximum of 3" of the fixed panel is revealed



#### step 4

Fill the other wall with cabinets. When close to a wall, leave a gap between 2" and 6" at the end as installer can install the Side Filler to fit within wall conditions

# upper cabinets components

## 1 Doors

- 12" to 21" wide cabinets come with one door
- 24" to 42" wide cabinets come with two doors
- Laminate door fronts are 11/16" thick and glass doors are made 5/32" (4 mm) Standard or Back-Painted tempered glass inserted in an aluminum frame
- The **Glass Doors** can only be used with the Finger (X) Pull Style; **no** other handles are available
- Glass and solid doors are lockable, the locks and keys are optional

## 2 Hinges

- Standard – Soft Close (S) hinges allow doors to open up to 110°
- Come with hinges covers

## 3

When specified, **Pulls** are included with solid doors. For more details, refer to Pull Styles on page 120

## 4

### Case and Dividers

- Case features a 11/16" laminate construction with a 1" thick bottom shelf
- 42" wide and more come with one Central Vertical Divider
- Available with Light Management Groove (when specified)
- Laminate case comes with single bottom shelf **5** and Flintwood case, double bottom shelves

## 6

### Integrated End Panels

This allows for a finished look on the upper cabinet itself

## 7

**Pre-drill Holes and Hardware** are provided to connect cabinets together and ensure a perfect installation

## 8

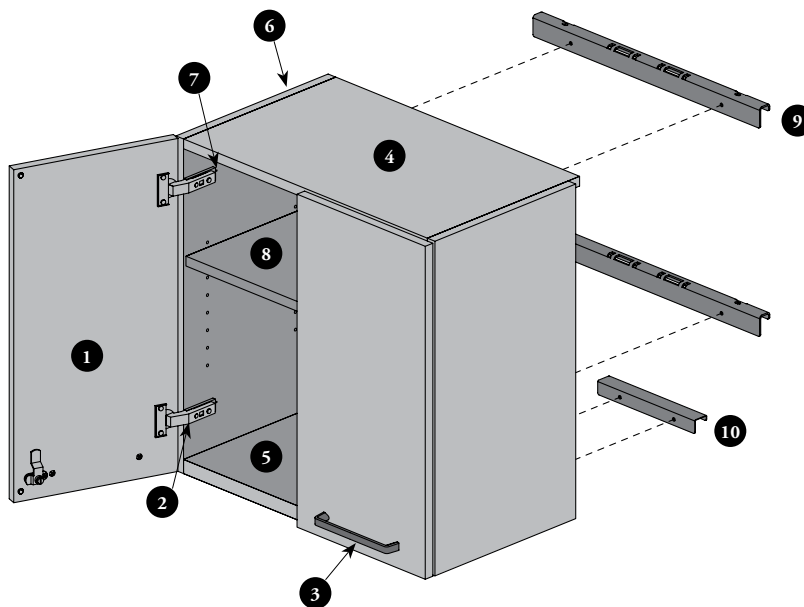
### Shelves

- Number varies depending on cabinet height. Refer to individual product pages for details
- Shelves and pigeonhole shelves are 11/16" thick (3/16" front gap)
- The Adjustable Shelves come with Metal Shelf Supports that help prevent the shelf from displacing
- Holes at 1 1/4" intervals (except Upper Cabinet – Open (CEUO) and Upper Cabinet – Pigeonholes Section and Open (CEUPO) when specified Adjustable Shelf(ves), adjustment holes are at 3" intervals)
- When different cabinet heights are combined, shelves can still be aligned as long as the top of the cabinets are aligned. This alignment is possible when using 24", 30", 36" or 42" heights together, or when combining 27" and 33" heights
- Shelf for Cabinet (CEACS) can be ordered separately, see individual product pages for exceptions

## 9

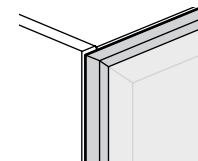
### Wall-Mounted Hooks and Spacers **10**

Installation hooks allow Upper Cabinets to be mounted on Wall-Mounted Rails (CEUR) – **not** included



## 1 Framed Glass Door(s)

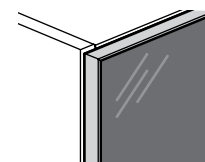
When Clear (CL) or Frosted (FT) glass finish is specified, the door is framed



OR

## Frameless Look Glass Door(s)

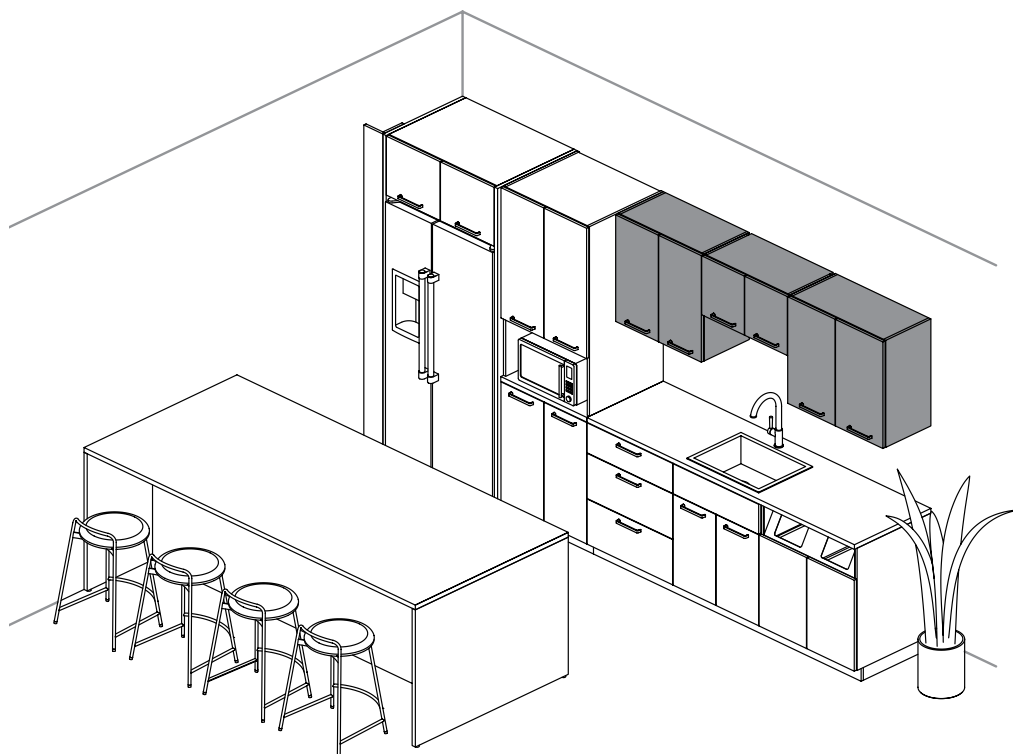
When Back-Painted glass finish is specified, the glass is glued on the frame for a frameless appearance



## upper cabinets basics

Upper Cabinets are available in many styles and dimensions for maximum configuration possibilities. They can be used alone or mounted above Base Cabinets to provide convenient open or closed storage.

- ❗ Overall dimensions are the actual dimensions of the finished product; depth includes Wall-Mounted Rail for Upper Cabinets (CEUR) and doors
- When the side of an Upper Cabinet is exposed, Integrated End Panel or End Panel – Upper Cabinet (CEAEU) must be specified to conceal the 1 1/8" gap between cabinet and wall
- Light Management options are available for the integration of the Recessed LED Light (CEALED) on the bottom shelf of the cabinet



### Finishes

- **Case, Shelves and Divider:** Source Laminate or Flintwood (No Cathedral)
- **Back Panel:** Source Laminate or Flintwood (No Cathedral)
- **Door, Fixed Panel or Front:** Source Laminate, Foundation Laminate, Grade 2 Laminate, Flintwood (Cathedral) and Not Applicable\*
- **Edge Trim:** Edge Trim Colors and Not Applicable\*
- **Pull(s)** (Not available with pull styles 8, X and Z): Foundation, Accent or Mica
- **Glass Door Frame** (Painted Aluminum): Foundation, Accent or Mica
- **Glass Door:** Standard (Clear (CL) or Frosted (FT)) or Back-Painted
- **Pass-Through Grommet:** Platinum
- **Locks & Keys:** Brushed Chrome

\* Not Applicable (NA) option is only available when Flintwood Front Finishes are specified

### Finish Restrictions

Not all finishes are applicable with the Case, Door, Fixed Panel, Front and Edge Trim Finishes, refer to individual product pages for more details

For Light Management; see page 25

For Integrated End Panel & Wall-Mounted Rail Specifications; see pages 26 and 27

For Pull Styles; see page 120

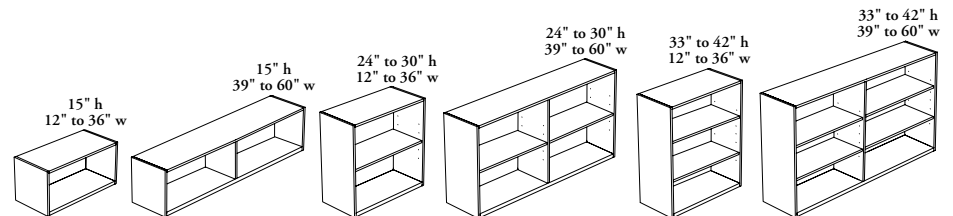
For Lock Chart; see page 122

# upper cabinets basics (continued)

- Three Door Swing Directions can be specified. The handedness is determined by the location of the hinge:
  - Door Swing – Left (L) (available with 12" to 21" wide cabinets)
  - Door Swing – Right (R) (available with 12" to 21" wide cabinets)
  - Door Swing – None (N) (available with 24" to 60" wide cabinets)
- Solid Doors are available with Pull Styles (1, 8, 9, E, F, M, S, X or Z)
- Three Key Styles can be specified:
  - Keyed Alike (K)
  - Keyed Randomly (R)
  - No Lock (N)

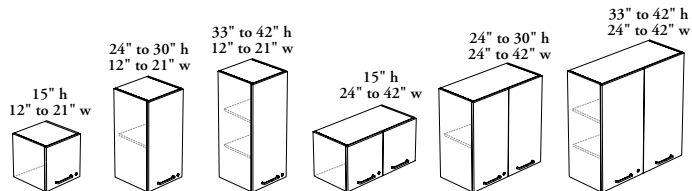
## Upper Cabinet – Open (CEUO)

- Depths: 12" and 15"
- Widths: 12" to 60" (3" increments)
- Heights: 15", 24" to 42" (3" increments)
- Three Shelf Styles can be specified:
  - Adjustable (A) (Shown)
  - Fixed (F)
  - Not Applicable (N) (15" h only)



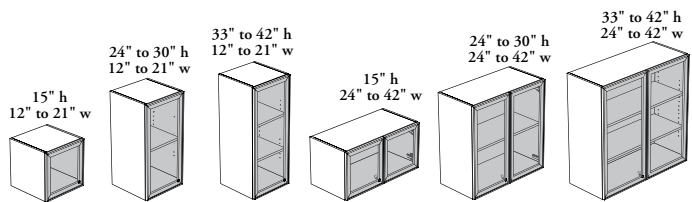
## Upper Cabinet – Door(s) (CEUS)

- Depths: 12" and 15"
- Widths: 12" to 42" (3" increments)
- Heights: 15", 24" to 42" (3" increments)
- Shelf(ves) are adjustable (if applicable)
- 42" wide cabinet comes with Vertical Central Divider



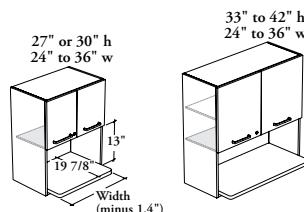
## Upper Cabinet – Glass Door(s) (CEUG)

- Depths: 12" and 15"
- Widths: 12" to 42" (3" increments)
- Heights: 15", 24" to 42" (3" increments)
- Shelf(ves) are adjustable (if applicable)
- 42" wide cabinet comes with Vertical Central Divider
- Only Finger Pull (X) Pull Style is available



## Upper Cabinet – Microwave Section & Doors (CEUMS)

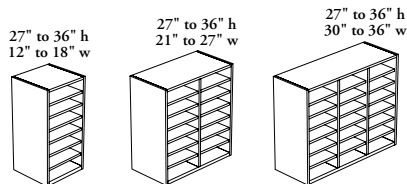
- Depth: 15"
  - Widths: 24" to 36" (3" increments)
  - Heights: 27" to 42" (3" increments)
  - Bottom Shelf Depth (Microwave section): 18"
  - Internal height microwave section is always 14" and width is determined by subtracting 1.4" from specified width
  - Two Cut-Out Styles are available:
    - With Pass-Through Grommet (W)
    - No Cut-Out (N) (Shown)
- refer to page 28 for more details



## upper cabinets basics (continued)

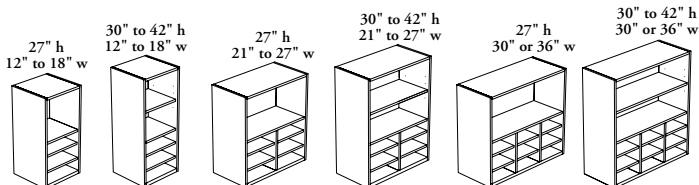
### Upper Cabinet – Pigeonholes (CEUPL)

- Depth: 15"
- Widths: 12" to 36" (3" increments)
- Heights: 27" to 36" (3" increments)



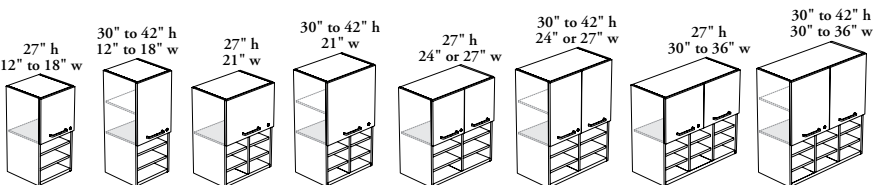
### Upper Cabinet – Pigeonholes Section & Open (CEUPO)

- Depth: 15"
- Widths: 12" to 36" (3" increments)
- Heights: 27" to 36" (3" increments) and 42"
- Pigeonhole section is always 12" high



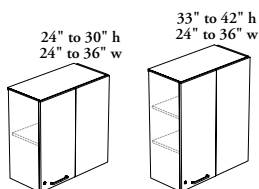
### Upper Cabinet – Pigeonholes Section & Door(s) (CEUPS)

- Depth: 15"
- Widths: 12" to 36" (3" increments)
- Heights: 27" to 36" (3" increments) and 42"
- Pigeonhole section always 12" high



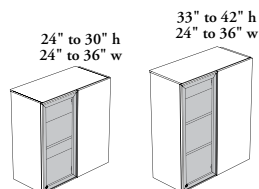
### Upper Cabinet for Blind Corner – Door (CEUCS)

- Depths: 12" and 15"
- Widths: 24" to 36" (3" increments)
- Heights: 24" to 36" (3" increments) and 42"
- The handedness is determined by the Fixed Panel Position – Left (L) or (Right) (Shown)
- Shelves are adjustable (if applicable)



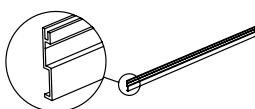
### Upper Cabinet for Blind Corner – Glass Door (CEUCG)

- Depths: 12" and 15"
- Widths: 24" to 36" (3" increments)
- Heights: 24" to 36" (3" increments) and 42"
- The handedness is determined by the Fixed Panel Position – Left (L) or (Right)
- Shelves are adjustable (if applicable)



### Wall-Mounted Rail for Upper Cabinet – Open (CEUR)

- Section Widths: 12" to 366" (3" increments)
- Section Heights: 15", 24" to 42" (3" increments)



For Wall-Mounted Rail Details; see page 27

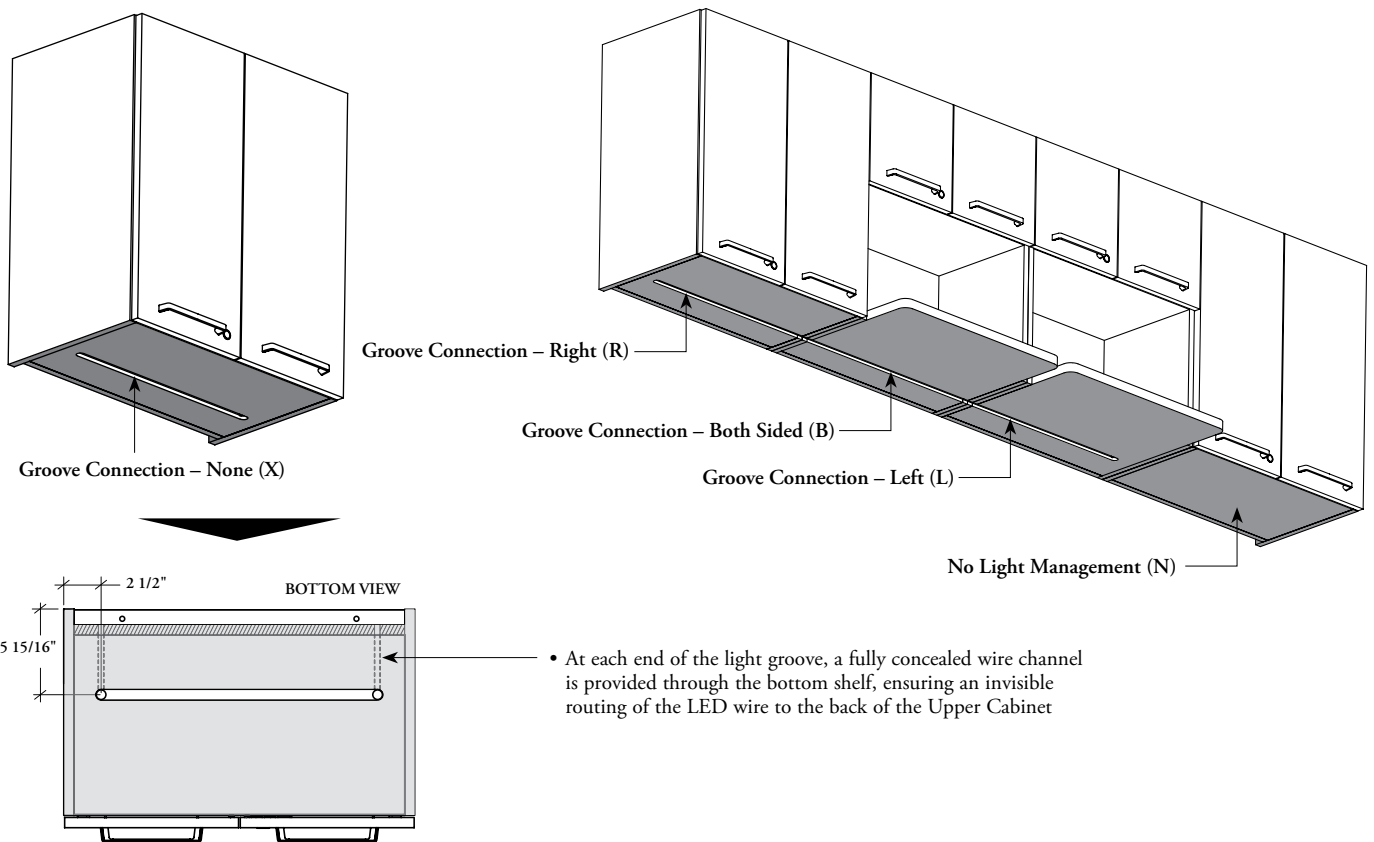


# planning with upper cabinets

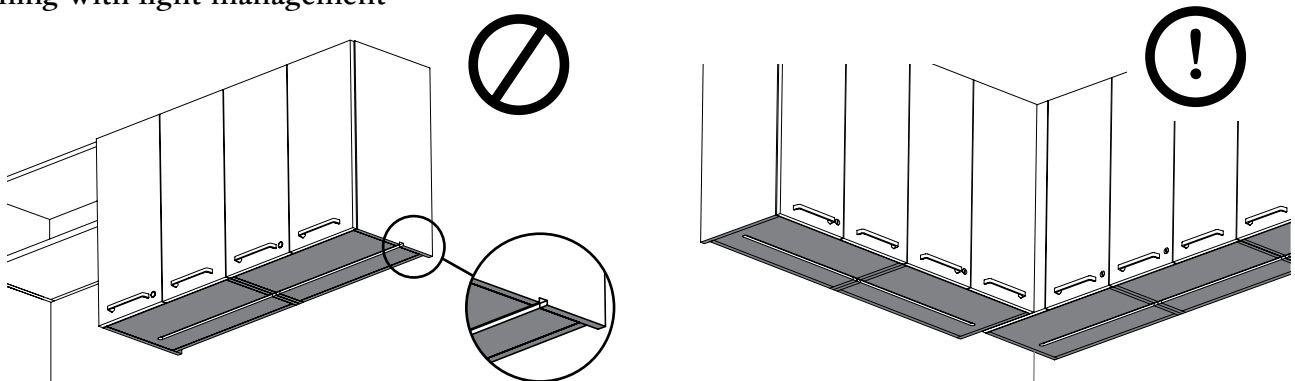
The following should be considered when planning with Expansion Casework+ Upper Cabinets.

## light management specification

- Recessed LED Light (CEALED) can span across multiple Upper Cabinets, therefore, Groove Connection must be specified accordingly
- When the light groove ends, a fully concealed wire channel through bottom shelf is provided
- The Recessed LED Light (CEALED) comes with a Driver Support that can be installed at the back of the Upper Cabinet. Not visible once installed, removable without tools
- For Driver Support installation, refer to the Accessories section for more details
- Five Light Management options are offered:



## planning with light management



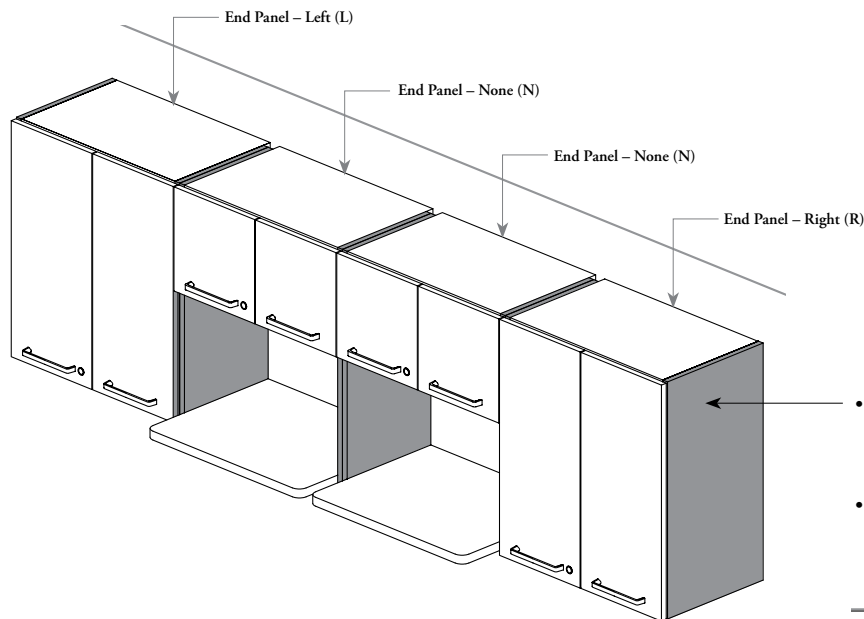
- A layout **cannot** be ended with a Upper Cabinet with unfinished Groove Connection
- All LED Light spanning multiple upper cabinets must start with a Groove Connection – Right (R) and end with a Groove Connection – Left (L)

In corner application, a gap will be left between LED Light coming from different orientations

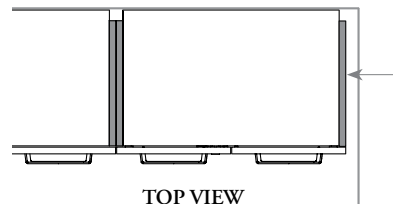
# planning with upper cabinets (continued)

## integrated end panel specification

- Integrated End Panel option must be specified to conceal the 1 1/8" gap between cabinet and wall
- Four Integrated End Panel options are offered:

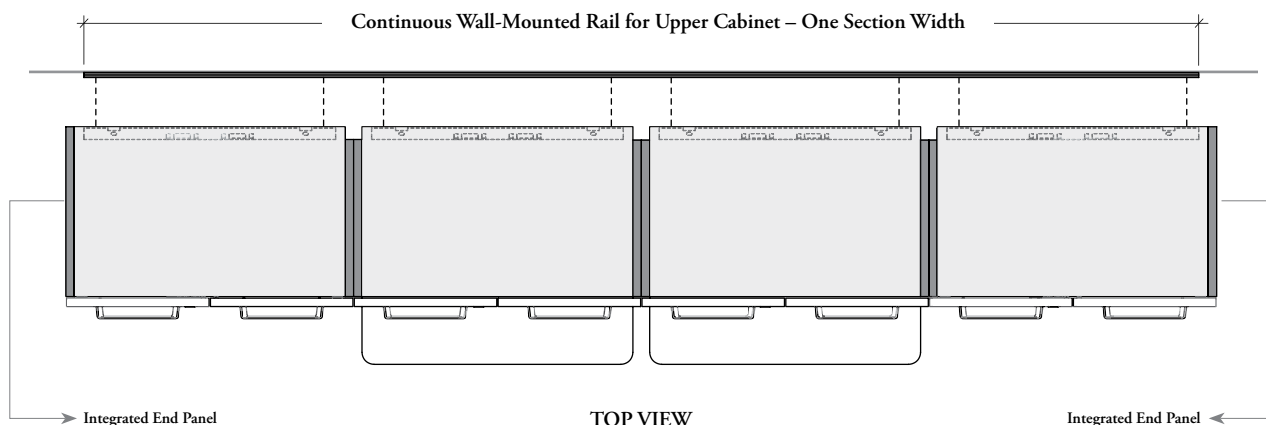


- When the side of an Upper Cabinet is exposed, it must be specified with an Integrated End Panel be covered by an End Panel (specified separately). Otherwise, Wall-Mounted Rails will be visible from the side
- Integrated End Panel or End Panel - Upper Cabinet are **not** required in application where the side of the upper cabinet is **not** visible



TOP VIEW

It is recommended to specify Integrated End Panel only where necessary to make the specification and installation of the Wall-Mounted Rail for Upper Cabinet easier since it will be one continuous Section Width

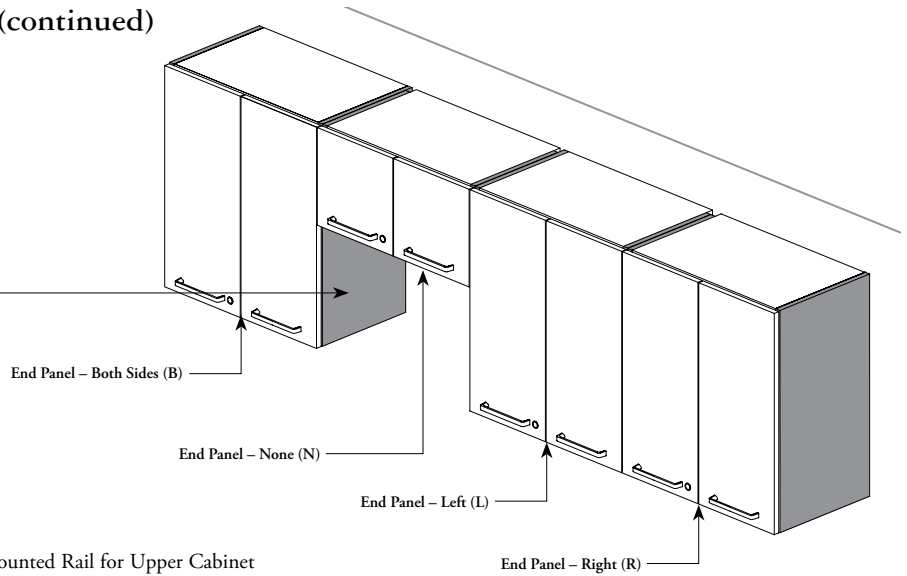


TOP VIEW

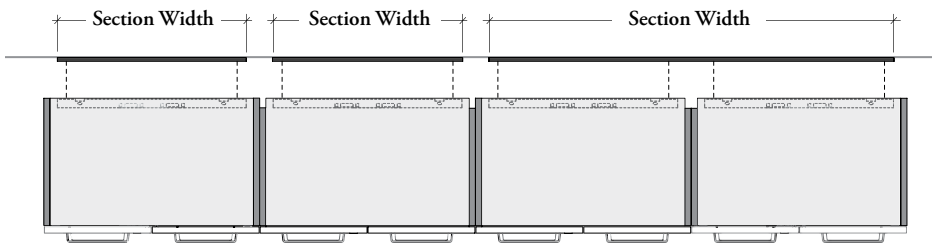
# planning with upper cabinets (continued)

## integrated end panel specification (continued)

**Height Variation**  
When planning with different heights, an Integrated End Panel must be specified to conceal the Wall-Mounted Rail of the taller cabinet



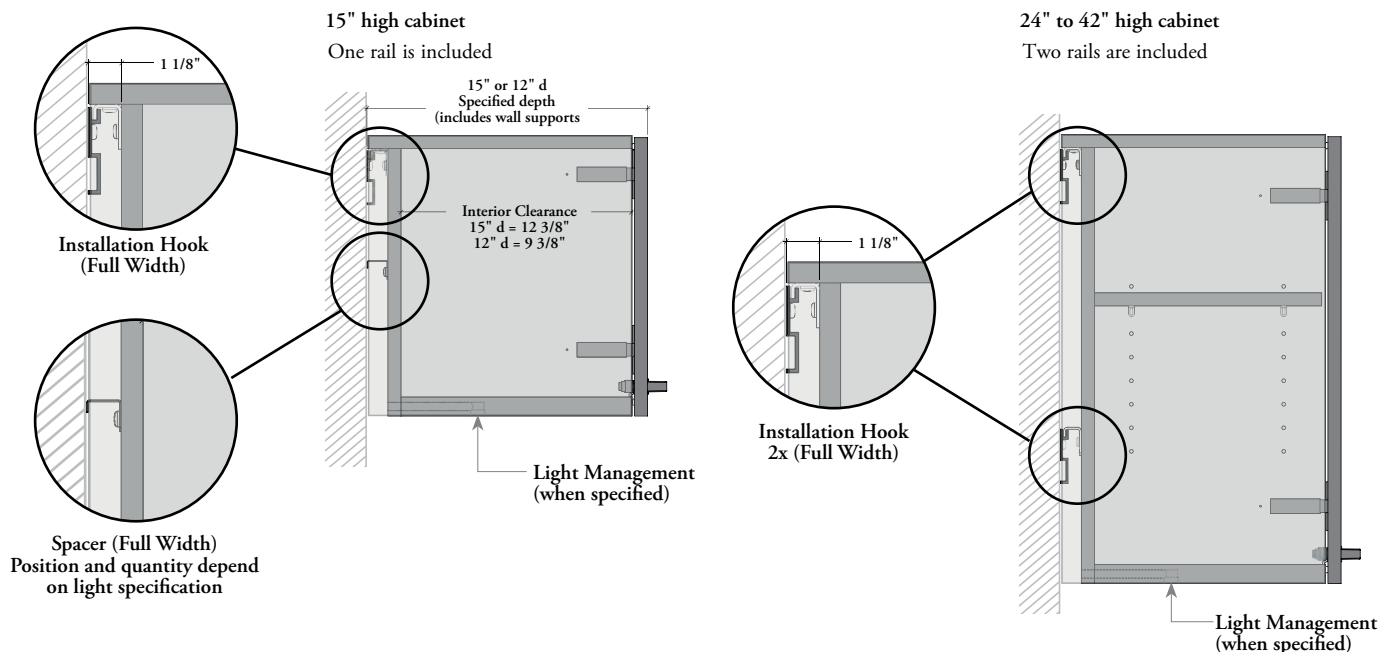
When planning with different cabinet heights, a Wall-Mounted Rail for Upper Cabinet needs to be specified individually for each Section Width



Anti-dislodgement hardware is supplied with each Upper Cabinet, ensuring a sturdy connection between the Upper Cabinets and the Wall-Mounted Rail

## wall-mounted rail for upper cabinet details & interior clearance

- A section includes a group of Upper Cabinets with the same height. If an Integrated End Panel is specified, a new section must be created
- The Section Width is nominal and is designed to fit in-between Integrated End Panels when specified
- Appropriate attachment methods and hardware for a secure and safe installation must be determined by the installer and meet the applicable local building code and laws
- Installer must provide wall mounting fasteners



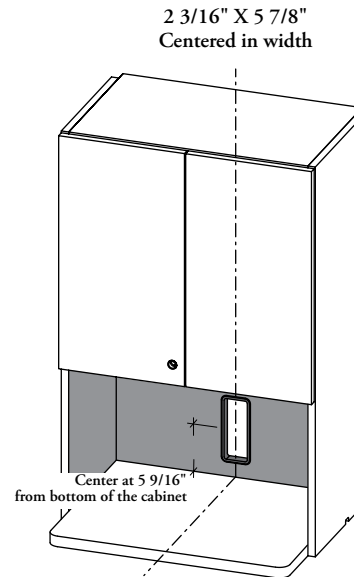
## planning with upper cabinet (continued)

⚠ It is the specifier's responsibility to ensure that the appliance clearance complies with the manufacturer recommendations

### cut-out for upper cabinet – microwave section & doors

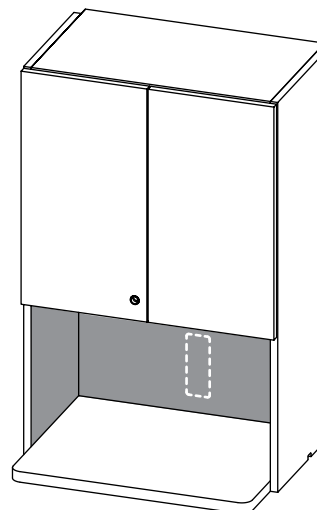
#### with pass-through grommet (W) option

This option features a factory made cut-out with a plastic Pass-Through Grommet. Wall outlets must be planned accordingly



#### no cut-out (N) option

This option comes without cut-out. Therefore an opening for wall outlets will have to be cut on-site at the required position and shape. A Pass-Through Grommet (CEAGR) can be specified separately if the on-site cut-out matches its shape

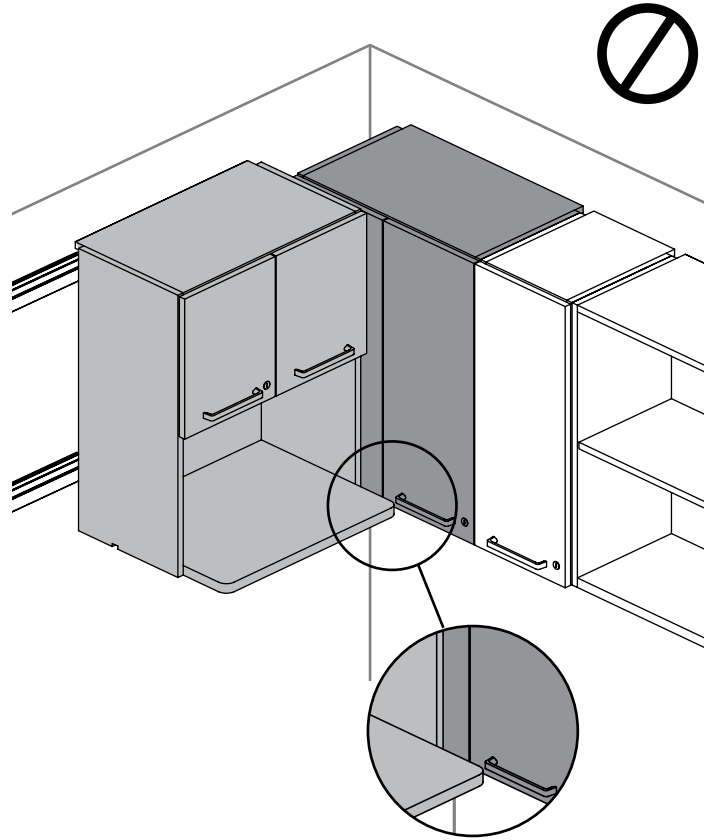


## planning with upper cabinet (continued)

The following should be considered when planning with Upper Cabinet for Blind Corner.

### planning with upper cabinet for blind corner

An Upper Cabinet – Microwave Section & Doors (CEUMS) should **not** be used perpendicular to an Upper Cabinet for Blind Corner (CEUCS) since the door will interfere



To ensure proper opening, the nearest door of an upper cabinet used perpendicular to an Upper Cabinet for Blind Corner should have its hinges on the corner side

