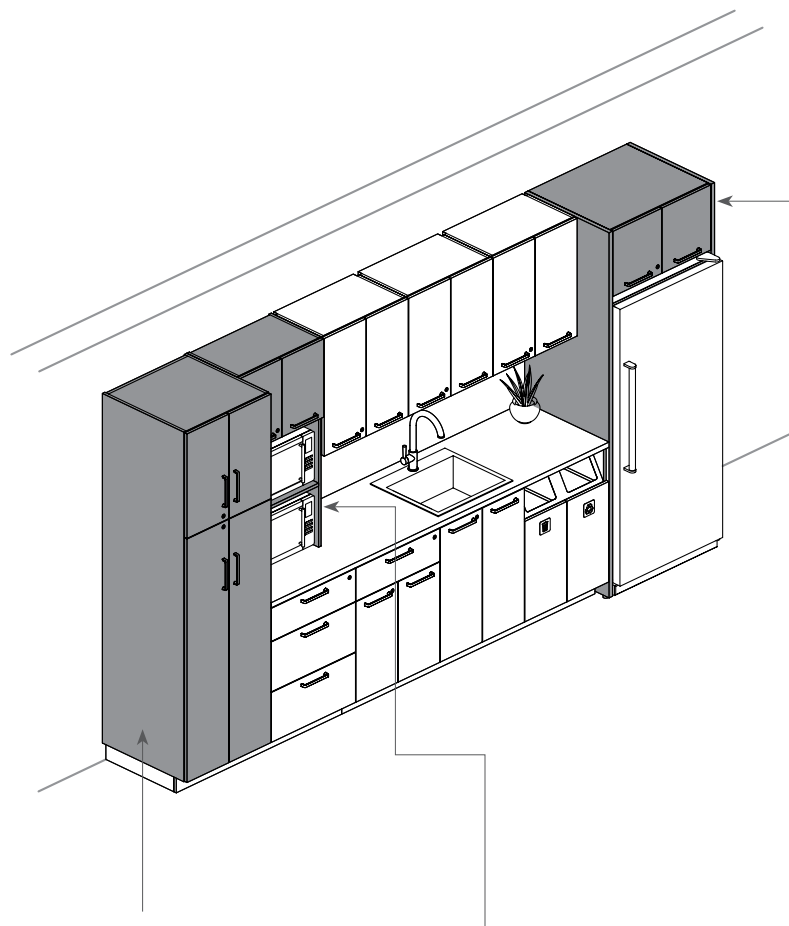


storage cabinets

UNDERSTANDING STORAGE CABINETS	52
STORAGE CABINETS COMPONENTS	56
STORAGE CABINETS BASICS	58
PLANNING WITH STORAGE CABINETS	
FRONT ALIGNMENT OVERVIEW	61
INTERIOR CLEARANCE	62
HINGE STYLES	66
DRAWER STYLES	66
CUT-OUT FOR STORAGE CABINET – MICROWAVE SECTION(S) & DOORS	67
STORAGE CABINET SPECIFICATION HEIGHTS	70
PLANNING WITH COUNTERTOP CABINET	70
WASTE/RECYCLING UNITS	71
PLANNING WITH RECYCLING/DISPOSAL UNITS	72

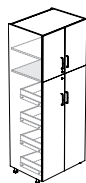
understanding storage cabinets

Expansion Casework+ Storage Cabinets are designed to enhance functionality and provide additional storage space.



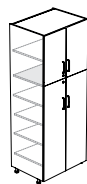
Storage Cabinets

• Eleven styles are available:



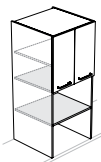
Two-High Tall Cabinet – Doors with Interior Drawers (CETD)

Comes with adjustable shelf(ves) in the upper section and with interior drawers in the bottom section



Two-High Tall Cabinet – Doors (CETT)

Comes with adjustable shelf(ves) in each section



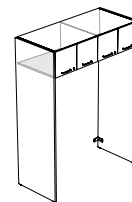
Countertop Cabinet – Microwave Section(s) and Doors (CECM)

- Sits directly on the Countertop
- Comes with adjustable shelf(ves) in the upper section
- Available with doors in the upper section and one or two microwave sections in the bottom section
- An optional Pass-Through Grommet is available to access wall outlets in each microwave section



Cabinet Kit for One Appliance – Doors (CEKO)

Available for one or two appliances



Cabinet Kit for Two Appliances – Doors (CEKT)

For Finishes; see page 58

For Pull Styles; see page 120

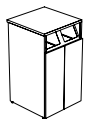
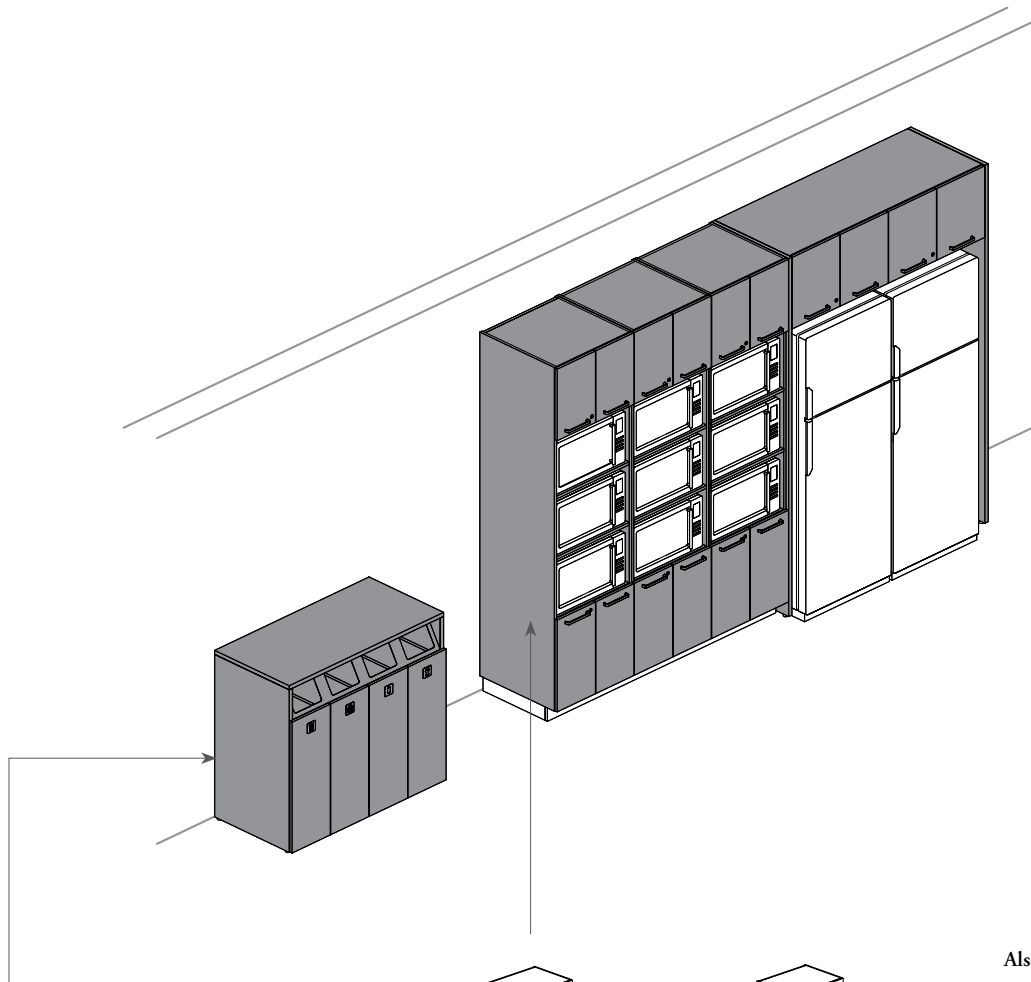
For Lock Chart; see page 122

For Cabinets Product Offering; see page 126

For Grain Direction; see page 132

understanding storage cabinets (continued)

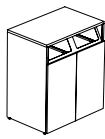
Storage Cabinets (continued)



Recycling/Disposal Unit – Standard Bins (CESRUS)

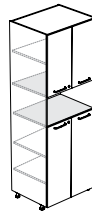
Standard Waste Bins included with storage

- Door fronts have **no** pull and can be handled with fingertips from the top of the door
- Optional Identification Symbol (CEASR) are available
- Are **not** lockable



Recycling/Disposal Unit – XL Bins (CESRUX)

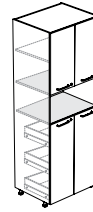
XL Waste Bins included with storage



Tall Cabinet – Microwave Section(s) and Doors (CEMS)

Bottom section with adjustable shelves

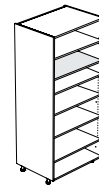
- Come with doors (upper and bottom section) and one, two or three microwave section(s) (middle section)
- The upper section can be specified with Finger Pull or the same pull style as the bottom section
- Come with adjustable shelf(ves) in the upper section
- An optional Pass-Through Grommet is available to access wall outlets in each microwave section



Tall Cabinet – Microwave Section and Doors with Interior Drawers (CEMD)

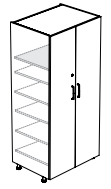
Bottom section with interior drawers

Also available:



Tall Cabinet – Open (CETO)

Come with adjustable shelves and one fixed shelf



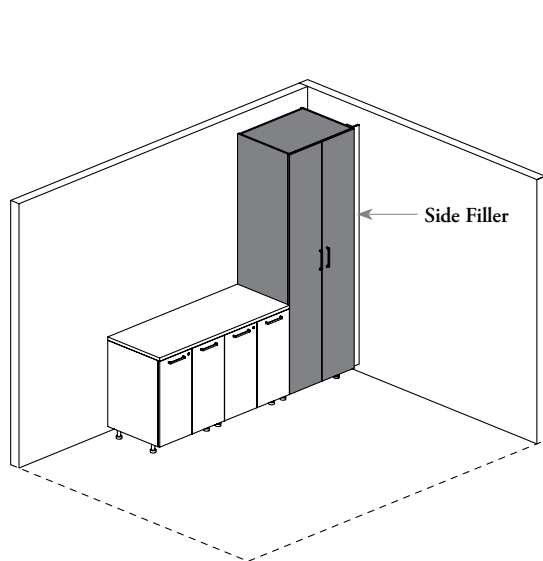
Tall Cabinet – Door(s) (CETS)

understanding storage cabinets (continued)

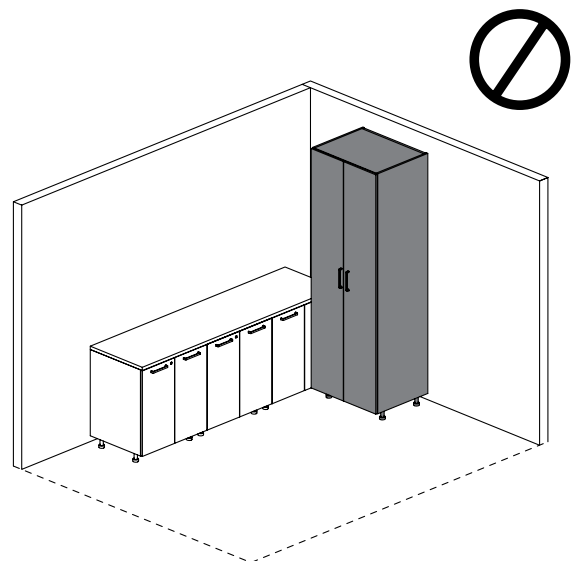
Following steps should be followed when planning with Storage Cabinets.

how to plan

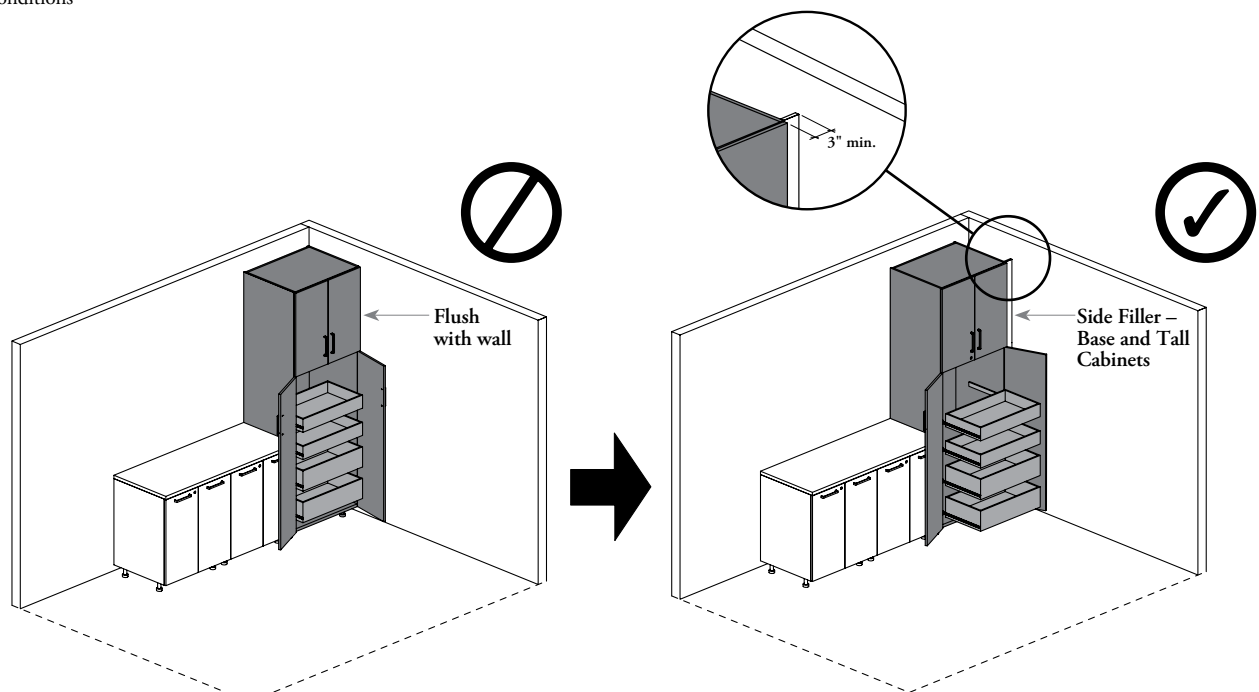
- Exact wall dimensions should be confirmed before choosing the cabinet widths
- It is the responsibility of the installer to securely attach the storage cabinet to the wall



When close to a wall, leave a gap between 2" and 6" at the end as installer can install the Side Filler to fit within wall conditions



Tall Cabinets should **not** be used in corner applications

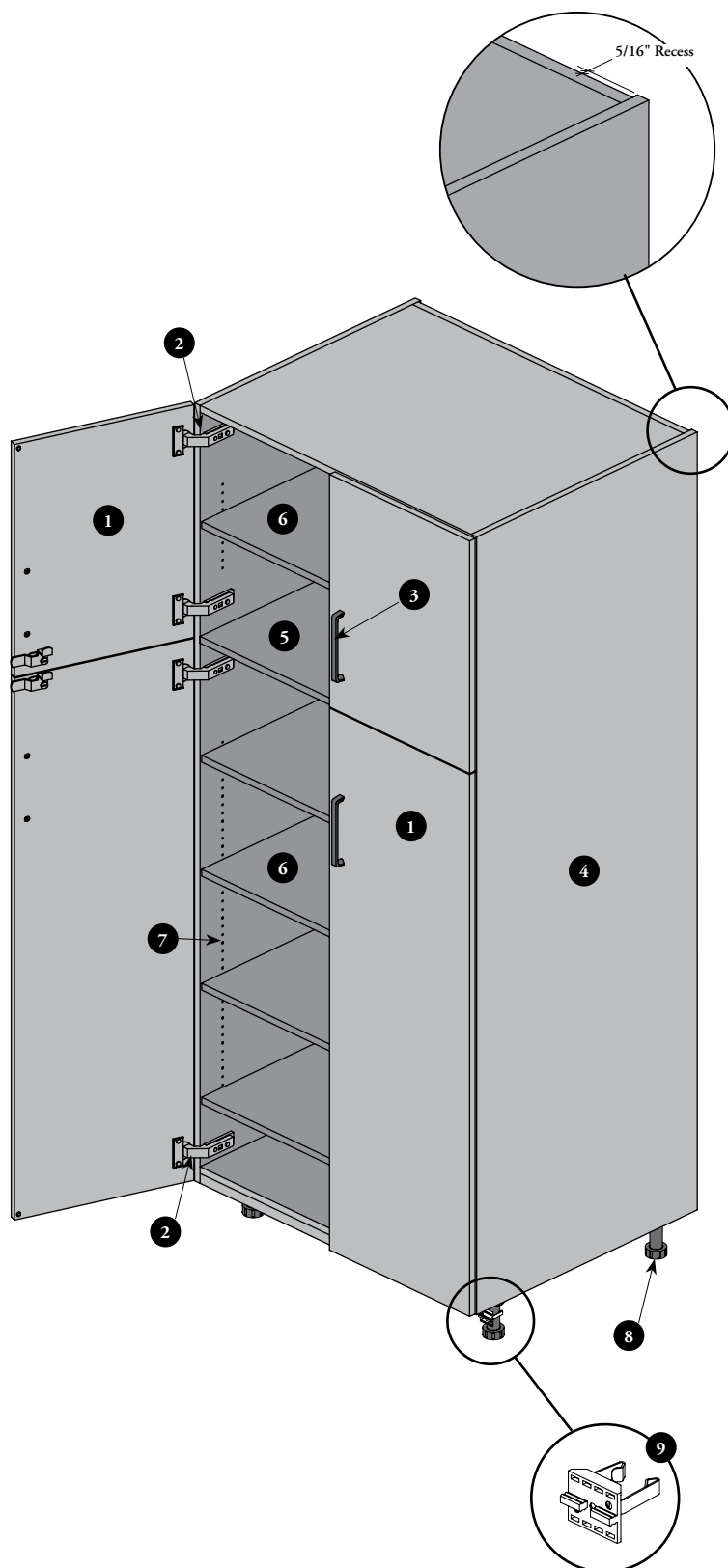


Two-High Tall Cabinet – Doors with Interior Drawers (CETD) or Tall Cabinet – Microwave Section and Doors with Interior Drawers (CEMD)

When close to a perpendicular wall, a minimum 3" gap must be left between wall and storage side. Otherwise, door opening may be limited and obstruct drawer's opening. This gap can be filled with a Side Filler – Base and Tall Cabinets (CEAFSB)

storage cabinets components

- 1 Doors**
 - 12" to 21" wide cabinets come with one door
 - 24" to 36" wide cabinets come with two doors
 - Locks and Keys are optional
 - 2 Hinges**
 - Standard – Soft Close (S) hinges allow doors to open up to 110°
 - Full Extension – Soft Close (F) hinges allow doors to open up to 155°
 - The Hinge Style (F or S) is **not** available with all storage cabinet. Refer to individual product pages, for details
 - Come with hinge covers (for Standard – Soft Close (S) hinges only)
 - 3** As specified, the **Pulls** are included with doors.
 - Depending on the Storage Cabinet specified, some handle styles are **not** available. For more details, refer to Pull Styles on page 120 or to individual product pages
 - 4 Case**
 - 11/16" construction with a 1" thick base with an additional 11/16" bottom in certain applications
 - 29" deep case have a shallow back to maintain a good access of storage space deep case from front
 - 5 Fixed Shelf(ves)**
 - Number varies depending on cabinet configuration. Refer to individual product pages
 - 11/16" thick, full depth
 - 6 Adjustable Shelves**
 - Number varies depending on cabinet configuration. Refer to individual product pages
 - 24" and 29" deep base cabinets come with 24" deep 11/16" thick adjustable shelf(ves)
 - Come with Metal Shelf Supports that help prevent shelf displacing
 - Holes at 1 1/4" intervals **7**
 - Shelf for Cabinet (CEACS) can be ordered separately, see individual product pages for exceptions
 - 8 Metal Adjustable Feet**
 - Create a minimum gap of 4 1/8" below the cabinets and provide a 1 1/2" leveling range
 - Come with Clips for Toe Kick to install the **mandatory** Toe Kick – Front (CEATF) **9**
- Levelers for Cabinet Kits (CEKO or CEKT) or Recycling/Disposal Units CESRUS or CESRUX**
- Create a 3/8" gap under the cabinet side when leveled to minimum height
 - Allow 3 1/2" total leveling range

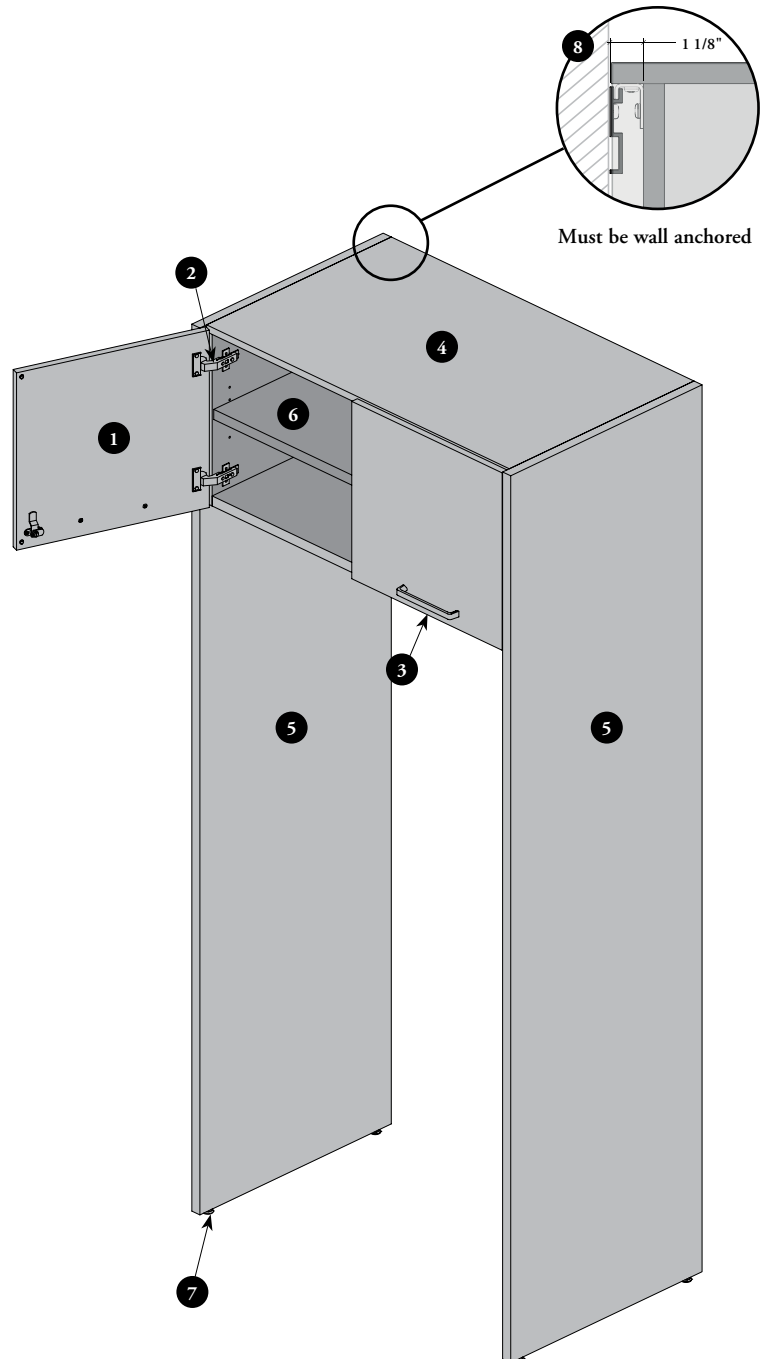


storage cabinets components (continued)

applicable with cabinets kits for one or two appliances only

- 1 Doors**
 - 28" to 40" wide cabinets come with two doors (CEKO only)
 - 50" to 66" wide cabinets come with four doors (CEKT only)
 - Locks and Keys are optional
- 2 Hinges**
 - Standard – Soft Close (S) hinges allow doors to open up to 110°
 - Come with hinge covers
- 3** As specified, the **Pulls** are included with doors
- 4 Case and Gables** **5**
 - 11/16" construction with a 1" thick base
 - Specified width includes 1" gables thickness. Therefore Appliance Width Clearance equals to width –2"
- 6 Adjustable Shelves**
 - Number varies depending on cabinet configuration. Refer to individual product pages
 - 1" thick, full usable depth (3/16" front gap)
 - Come with Metal Shelf Supports that helps prevent shelf displacing
 - Holes at 1 1/4" intervals
 - **Not** compatible with Shelf for Cabinet (CEACS)
- 7 Levelers**
 - Create a 3/8" gap under the gable when leveled to minimum height
 - Allow 3 1/2" total leveling range
- 8 Wall-Mounted Rails, Hooks and Spacers**

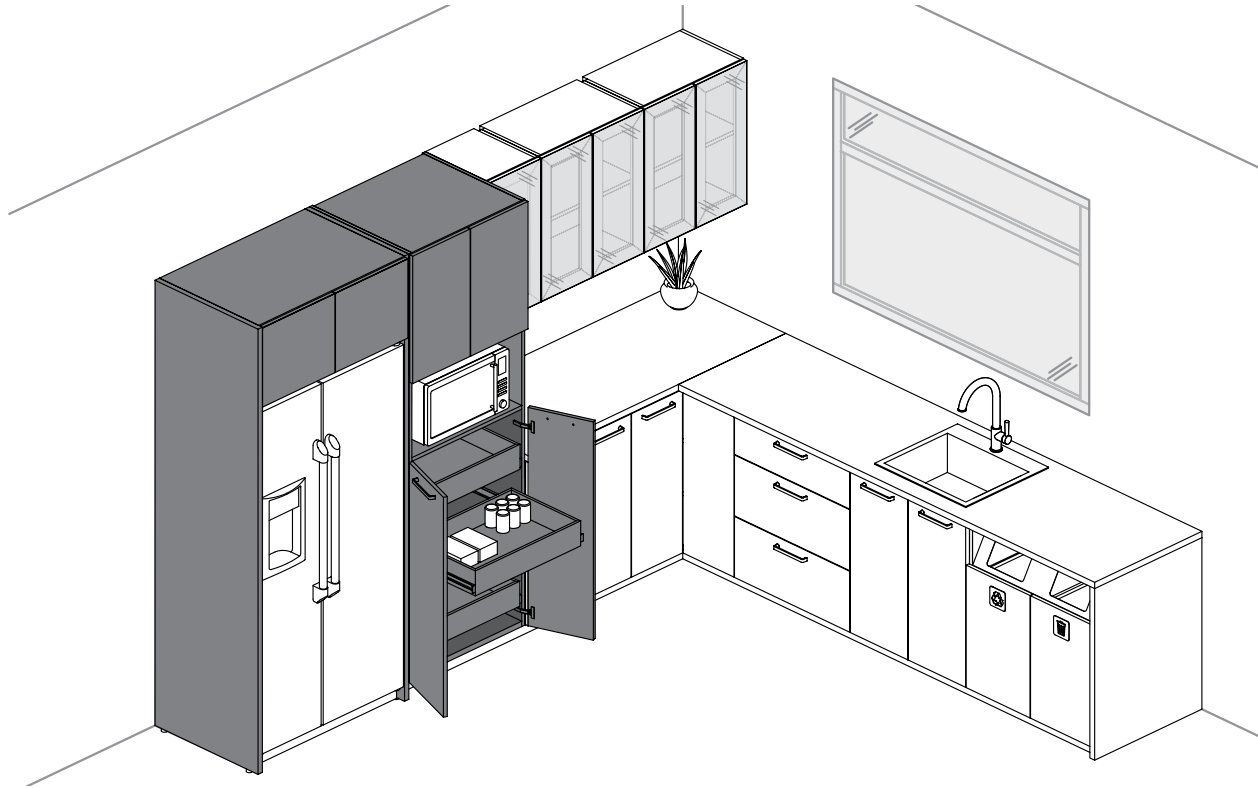
All included with Cabinet Kits but it is the responsibility of the installer to securely anchor these hardware to the wall



storage cabinets basics

Storage Cabinets are available in a variety of widths and heights for maximum configuration possibilities. They can be used alone or combined with base and upper cabinets to provide convenient open or closed storage.

- ❗ Storage Cabinets overall dimensions are the actual dimensions of the finished product
- Must be anchored to a wall for stability except for Recycling/Disposal Units (CESRUS and CESRUX)
- Toe Kick – Front (CEATF) is **mandatory** for Tall Cabinet
- Toe Kick – Side (CEATS) is **mandatory** when side of Tall Cabinet is exposed
- Installer must provide wall mounting fasteners



Finishes

- **Case:** Source Laminate or Flintwood (No Cathedral) except for Tall Cabinets – Doors with Interior Drawers (CETD or CEMD) and Recycling/Disposal Units (CESRUS or CESRUX)
 - **Gable:** Source Laminate or Flintwood (No Cathedral). Grade 2 Laminate** is also available (CEKO and CEKT only)
 - **Shelves and Dividers** match the Case Finishes
 - **Door Front:** Source Laminate, Foundation Laminate, Grade 2 Laminate, Flintwood (Cathedral)
 - **Edge Trim:** Edge Trim Colors and Not Applicable*
 - **Drawer Bodies:** Standard – Soft-Close (S) and Filing Drawer Styles are finished in Black and Undermount – Soft-Close (U) Drawer Style is finished in White
 - **Pull(s)** (Not available with pull styles 8, X, W or Z): Foundation, Accent or Mica
 - **Levelers** (only on Storage Cabinets (CEKO, CEKT, CESRUS and CESRUX): Chrome
 - **Pass-Through Grommet:** Platinum (only available with CEMS, CEMD and CECM)
 - **Locks & Keys:** Brushed Chrome
 - **35L or 90L Waste/Recycling Bins:** Grey (only available with CESRUS and CESRUX)
 - **Open Fascia:** Foundation, Accent or Mica
 - **Internal Metal Parts** are finished in Recycled Paint
- * Not Applicable (NA) option is only available when Flintwood Front Finishes are specified
** When Grade 2 Laminate is specified, The Accent colors are **not** available.

Finish Restrictions

Not all finishes are applicable with the Case and Door Finishes, refer to individual product pages for more details

For Pull Styles; see page 120

For Lock Chart; see page 122

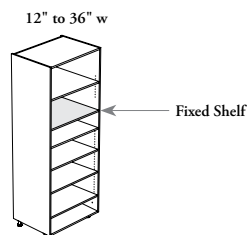
storage cabinets basics (continued)

- If applicable, two Soft-Close Hinge Styles can be specified:
 - Full Extension – Soft-Close (F)
 - Standard – Soft-Close (S)
- Three Door Swing Directions options are available. The handedness is determined by the location of the hinges:
 - Door Swing – Left (L) (available for 12" to 21" wide cabinets)
 - Door Swing – Right (R) (available for 12" to 21" wide cabinets)
 - Not Applicable (N) (available for 24" to 36" wide cabinets)

- If applicable, doors are available with Pull Styles (1, 8, 9, E, F, M, S, X or Z), refer individual product pages for more details
- Three Key Styles can be specified:
 - Keyed Alike (K)
 - Keyed Randomly (R)
 - No Lock (N)

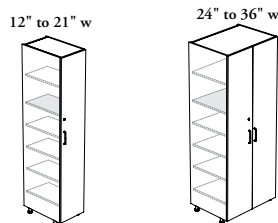
Tall Cabinet – Open (CETO)

- Depth: 24"
- Widths: 12" to 36" (3" increments)
- Heights: 72", 84", 90" and 96"
- Comes with Adjustable Shelves and one Fixed Shelf



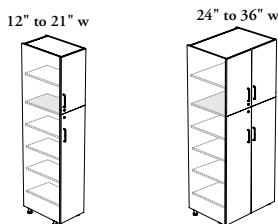
Tall Cabinet – Door(s) (CETS)

- Depths: 24" and 29"
- Widths: 12" to 36" (3" increments)
- Heights: 72", 84", 90" and 96"
- Comes with Adjustable Shelves and one Fixed Shelf
- Hinge Style can be specified (F or S)



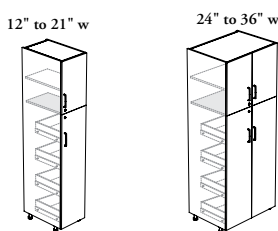
Two-High Tall Cabinet – Doors (CETT)

- Depths: 24" and 29"
- Widths: 12" to 36" (3" increments)
- Heights: 84", 90" and 96"
- Comes with Adjustable Shelves and one Fixed Shelf
- The upper section Hinge Style is Standard – Soft Close
- The bottom section Hinge Style can be specified (F or S)



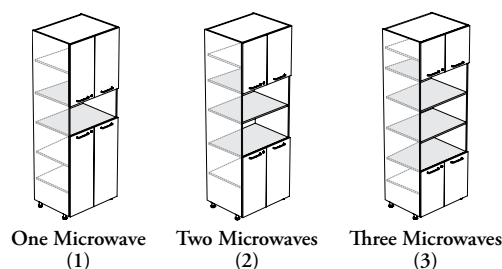
Two-High Tall Cabinet – Doors with Interior Drawers (CETD)

- Depths: 24" and 29"
- Widths: 12" to 36" (3" increments)
- Heights: 84", 90" and 96"
- Comes with Adjustable Shelf(ves) in the upper section
- The upper section Hinge Style is Standard – Soft Close
- The bottom section comes with four Interior Drawers with Standard – Soft Close (S) or Undermount – Soft Close (U) style
- The bottom section Hinge Style is Full Extension – Soft Close (F)



Tall Cabinet – Microwave Section(s) and Doors (CEMS)

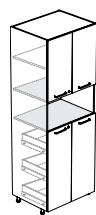
- Depths: 24" and 29"
- Widths: 24 to 36" (3" increments)
- Heights: 84", 90" and 96"
- Adjacent Base Cabinet Heights: 32" and 35"
- When One Microwave (1) option is specified, Adjacent Base Cabinet Height is not available
- Comes with Adjustable Shelves
- The upper section Hinge Style is Standard – Soft Close
- The bottom section Hinge Style can be specified (F or S)
- Three Microwave Section Configurations are available:



storage cabinets basics (continued)

Tall Cabinet – Microwave Section and Doors with Interior Drawers (CEMD)

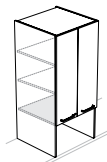
- Depths: 24" and 29"
- Widths: 24" to 36" (3" increments)
- Heights: 84", 90" or 96"
- Comes with Adjustable Shelf(ves) in the upper section
- The upper section Hinge Style is Standard – Soft Close
- The bottom section comes with three Interior Drawers with Standard – Soft Close (S) or Undermount – Soft Close (U) style
- Only one Microwave Section Configuration is available:



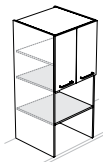
One Microwave (1)

Countertop Cabinet – Microwave Section(s) and Doors (CECM)

- Depths: 15", 20" or 24"
- Widths: 24" to 30" (3" increments)
- Heights: 84", 90" and 96"
- Base Cabinet Heights: 32" and 35"
- Countertop Thickness: 1 3/16" (M)
- The upper section Hinge Style is Standard – Soft Close (S)
- Two Microwave Section Configurations are available:



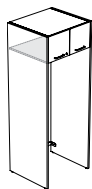
One Microwave (1)



Two Microwaves (2)

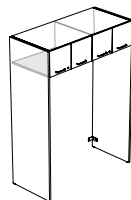
Cabinet Kit for One Appliance – Doors (CEKO)

- Depths: 24", 25", 29" and 30"
- Widths: 28" to 40" (2" increments)
- Heights: 84", 90" or 96"
- Appliance Heights: 69", 72" and 75"
- Comes with Adjustable Shelf (if applicable)
- The door section Hinge Style is Standard – Soft Close (S)



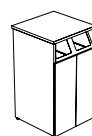
Cabinet Kit for Two Appliances – Doors (CEKT)

- Depths: 24", 25", 29" and 30"
- Widths: 50" to 66" (2" increments)
- Heights: 84", 90" and 96"
- Appliance Heights: 69", 72" and 75"
- Comes with Adjustable Shelves (if applicable)
- The door section Hinge Style is Standard – Soft Close (S)

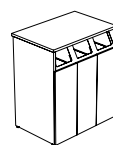


Recycling/Disposal Unit – Standard Bins (CESRUS)

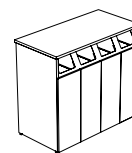
- Depth: 18" and 24"
- Each door of the waste section is 12" wide
- Heights: 36" and 42"
- Two Identifications are available:
 - Symbol Ready (S)
 - No Identification (N) (Shown)
 refer to Accessories section for more details
- Door Hinge Style is Standard – Soft Close (S) only
- Includes 35L waste/recycling bins, refer to page 47 for more details
- Three configurations are available:



Dual (D)



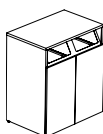
Triple (T)



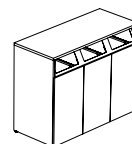
Quad (Q)

Recycling/Disposal Unit – XL Bins (CESRUX)

- Depth: 18" and 24"
- Each door of the waste section is 18" or 24" wide depending of the width configuration
- Heights: 36" and 42"
- Two Identifications are available:
 - Symbol Ready (S)
 - No Identification (N) (Shown)
 refer to Accessories section for more details
- Door Hinge Style is Standard – Soft Close (S) only
- Includes 90L waste/recycling bins, refer to page 47 for more details
- Two configurations are available:



Dual (D)



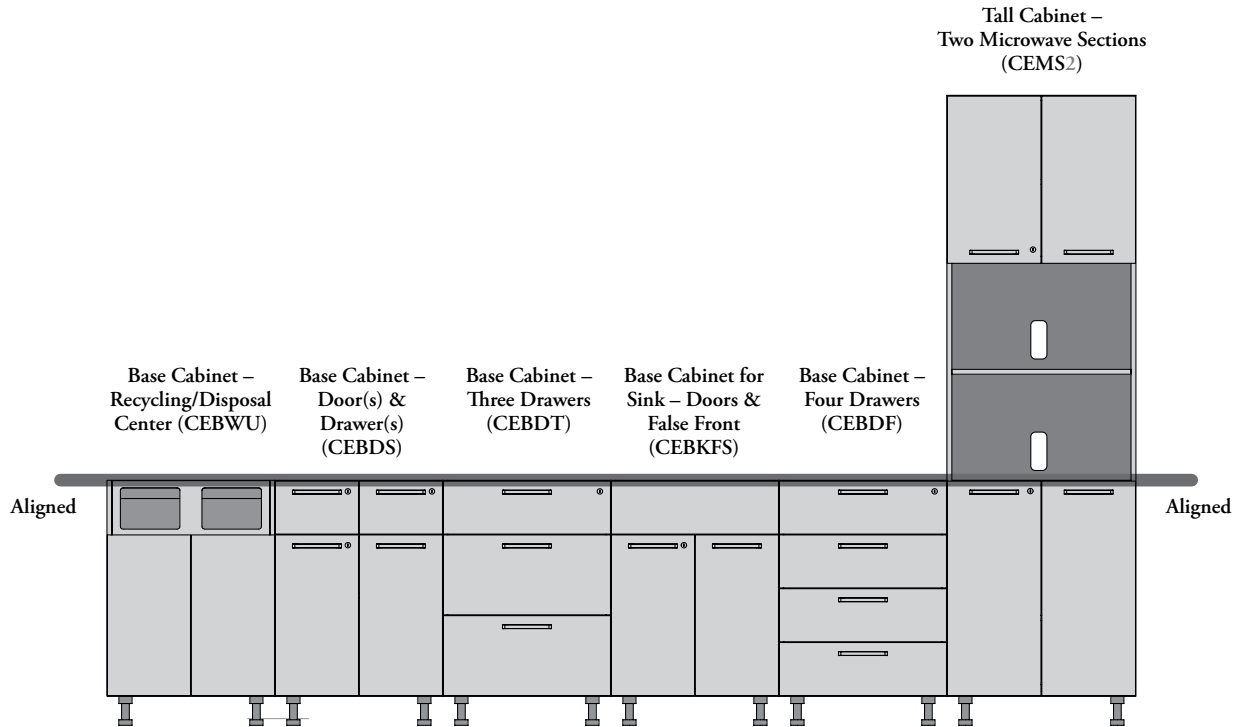
Triple (T)

planning with storage cabinets

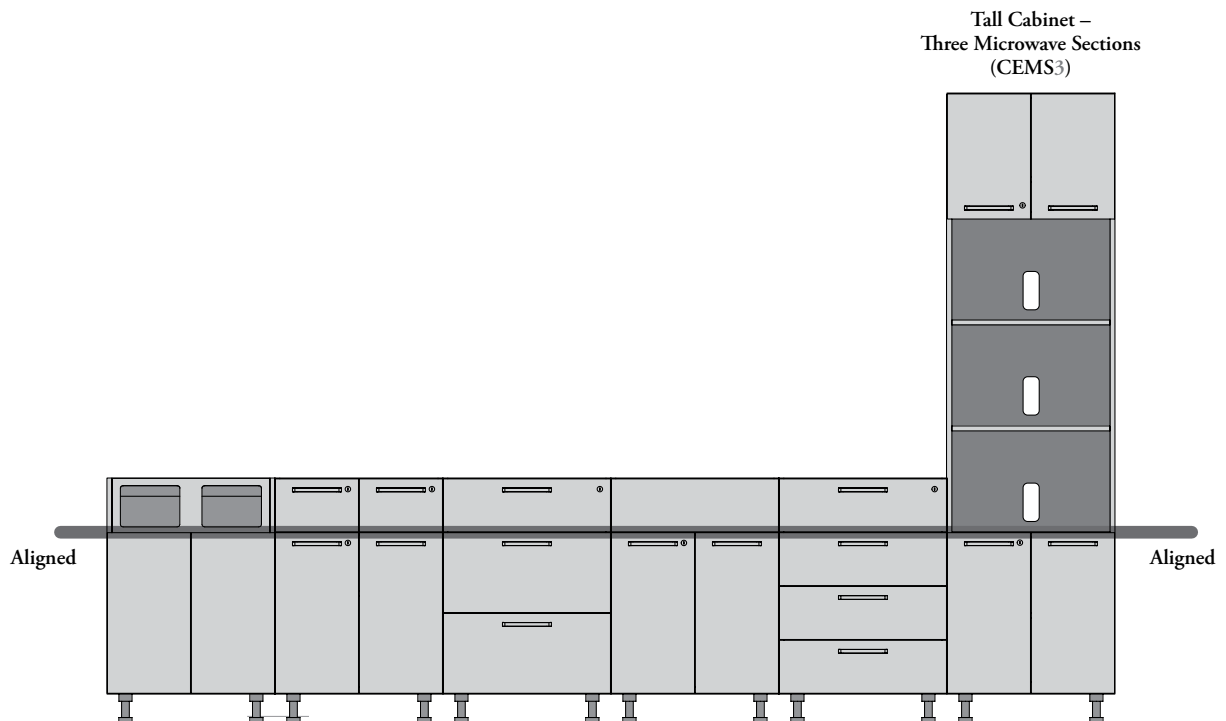
The following should be considered when planning with Expansion Casework+ Storage Cabinets.

front alignment overview

- The bottom section of a Tall Cabinet – Two Microwave Sections (CEMS2) will align a base cabinet of the same adjacent height



- The bottom section of a Tall Cabinet – Three Microwave Sections (CEMS3) will align with fronts illustrated below when specified the same adjacent height

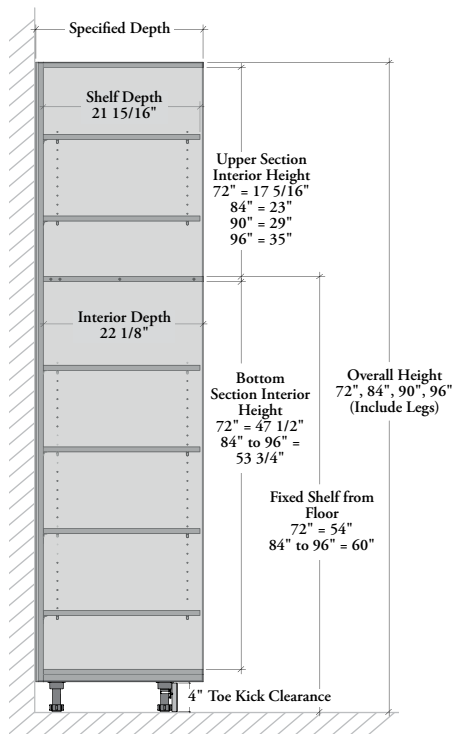


planning with storage cabinets (continued)

interior clearance for storage cabinets with shelves

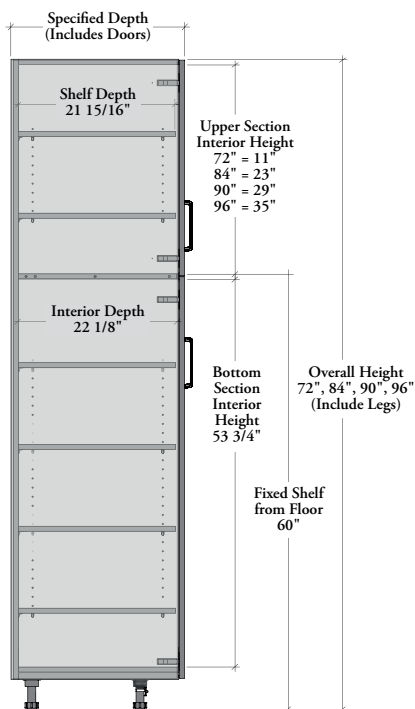
Tall Cabinet – Open (CETO)

24" deep cabinet

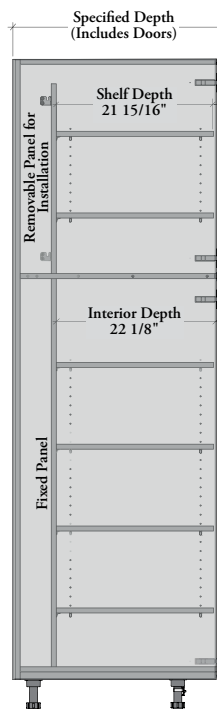


Tall Cabinet – Door(s) (CETS, CETT and CETD)

24" deep cabinet



29" deep cabinet



planning with storage cabinets (continued)

interior clearance for storage cabinets with microwave section(s)

- It is the specifier's responsibility to ensure that the appliance opening complies with the manufacturer recommendations
- Internal width microwave section is determined by subtracting 1.4" from specified width

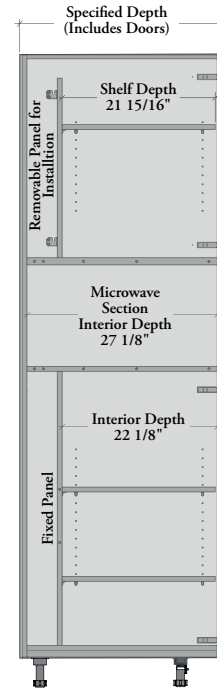
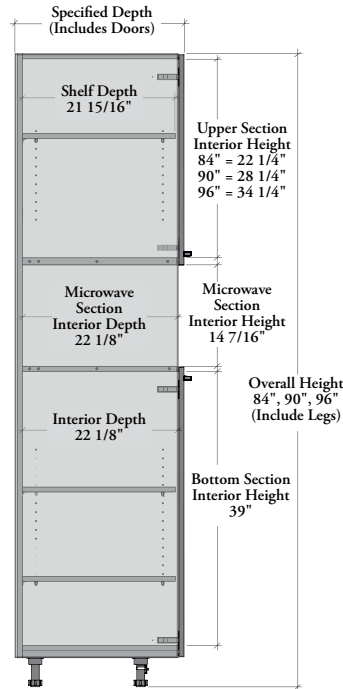
Tall Cabinet – Microwave Section(s) (CEMS, CEMD and CECM)

One Microwave (1)

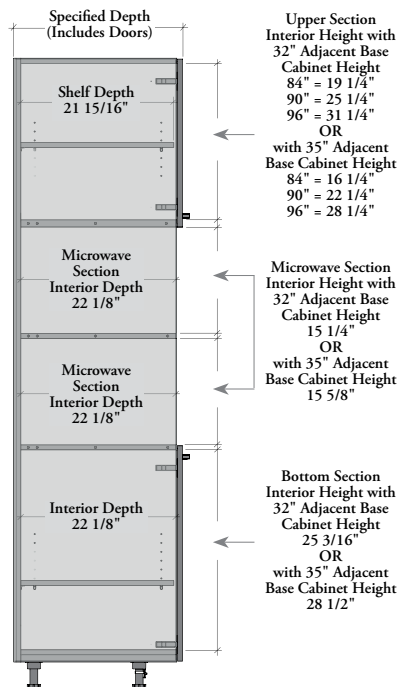
24" deep cabinet

SIDE VIEWS

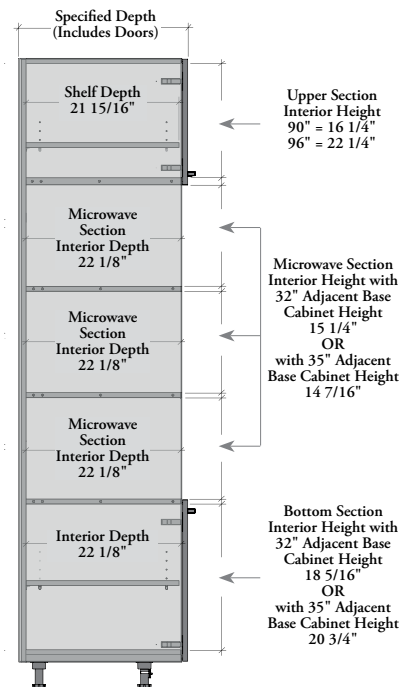
29" deep cabinet



Two Microwaves (2)



Three Microwaves (3)



planning with storage cabinets (continued)

interior clearance for storage cabinets with interior drawers

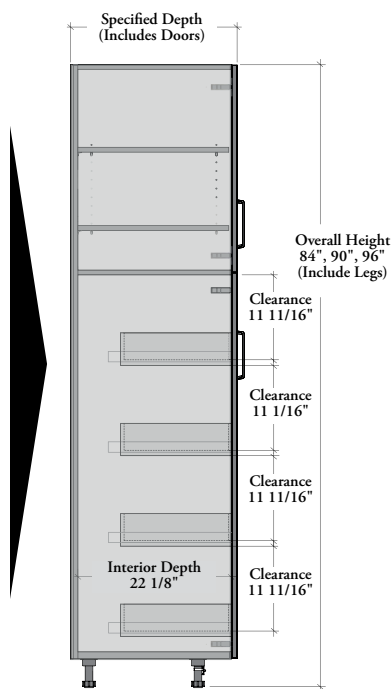
- It is the specifier's responsibility to ensure that the appliance opening complies with the manufacturer recommendations
- Both Drawer Styles are available: Standard – Soft Close (S) and Undermount – Soft Close (U)
- Internal width microwave section is determined by subtracting 1.4" from specified width
- Accessories may be specified separately, refer to the Accessories section for details

Tall Cabinet – Interior Drawers (CETD and CEMD)

Doors with Interior Drawers (CETD)

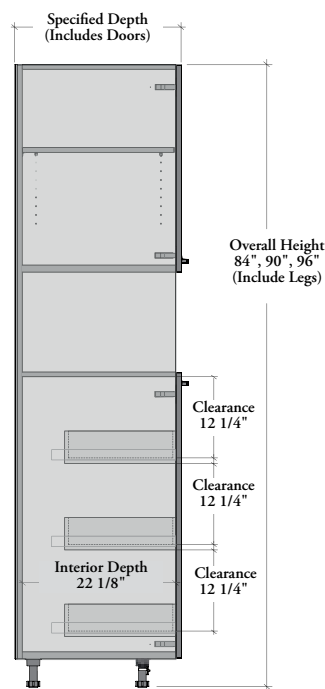
Microwave Section & Doors with Interior Drawers (CEMD)

Standard – Soft Close (S)
Drawer Style

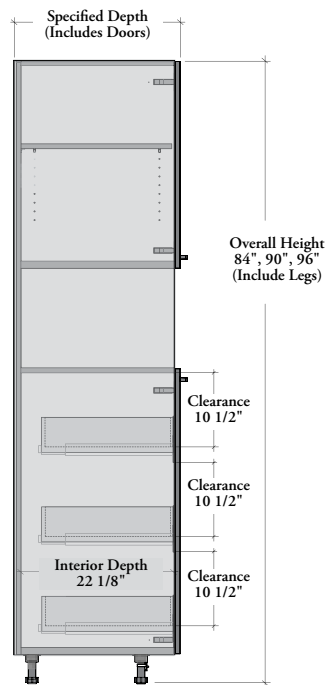
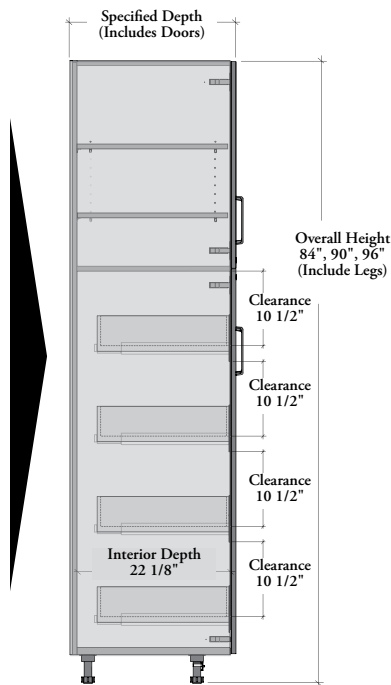


SIDE VIEWS

For Shelf Depth,
Upper, Microwave
and Bottom
Interior Height,
refer on previous
pages



Undermount – Soft Close (U)
Drawer Style

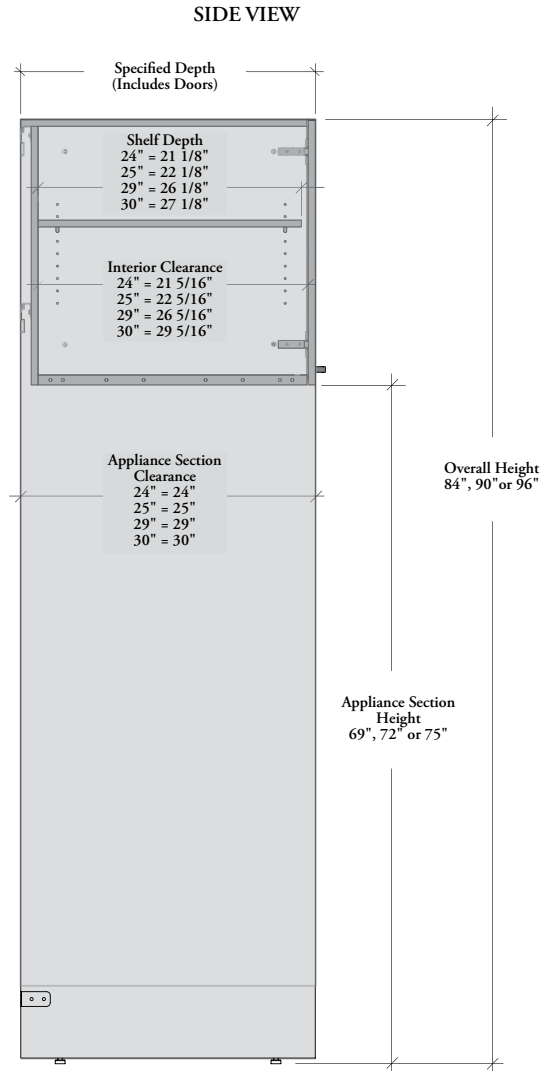


planning with storage cabinets (continued)

interior clearance for cabinets kits

- It is the specifier's responsibility to ensure that the appliance opening complies with the manufacturer recommendations
- Appropriate attachment methods and hardware for a secure and safe installation must be determined by the installer and meet the applicable local building code and laws
- Installer must provide wall mounting fasteners

Cabinet Kits for One or Two Appliances – Doors (CEKO and CEKT)



planning with storage cabinets (continued)

hinge styles

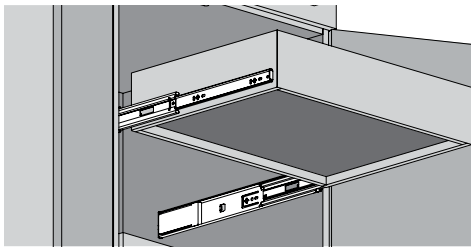
- Two Hinge Styles are available: **Standard – Soft Close (S)** and **Full Extension – Soft Close (F)**. Refer to the individual product pages for more details
- With Two-High Tall Cabinets, the upper section Hinge Style is Standard – Soft Close. If applicable, the bottom section Hinge Style can be specified Standard – Soft Close (S) or Full Extension – Soft Close (F)
- Storage Cabinets with Interior Drawers (CETD or CEMD) always feature Full Extension – Soft Close (F) Hinge Style for bottom section, refer to the page 54 for more details

drawer styles

- Accessories such as Cutlery Tray (CEAOT) and Utility Box (CEAOB) can be specified separately, refer to the Accessories section for more details
- Only applicable with Storage Cabinets with Interior Drawers (CETD or CEMD)
- Two drawer styles are available:

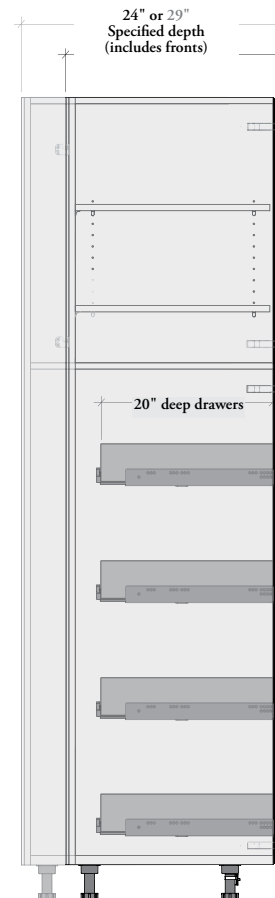
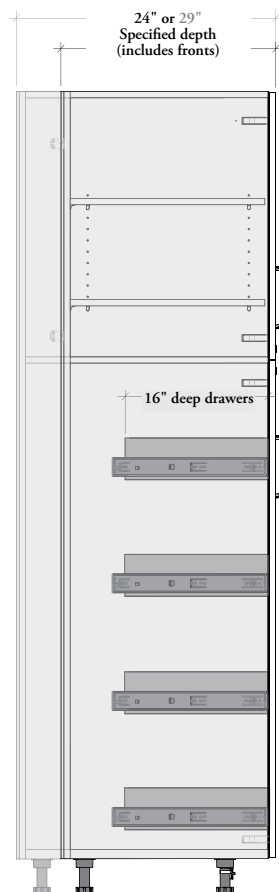
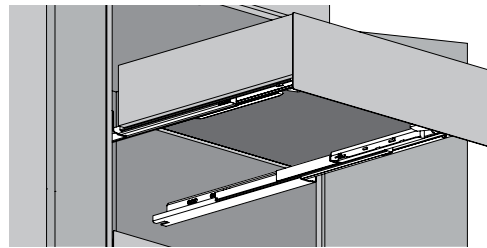
Standard – Soft Close (S)

Standard drawers feature soft close full extension exposed slides on a 16" deep white drawer body



Undermount – Soft Close (U)

Undermount drawers feature soft close full extension undermount slides on a 20" deep white drawer body



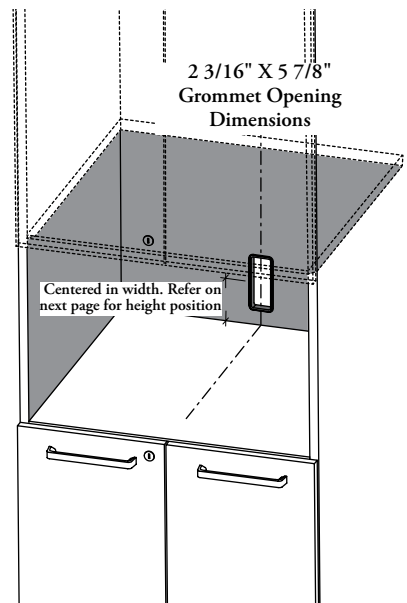
planning with storage cabinets (continued)

⚠ It is the specifier's responsibility to ensure that the appliance clearance complies with the manufacturer recommendations

cut-out for storage cabinet – microwave section(s) & doors (CEMS, CEMD and CECM)

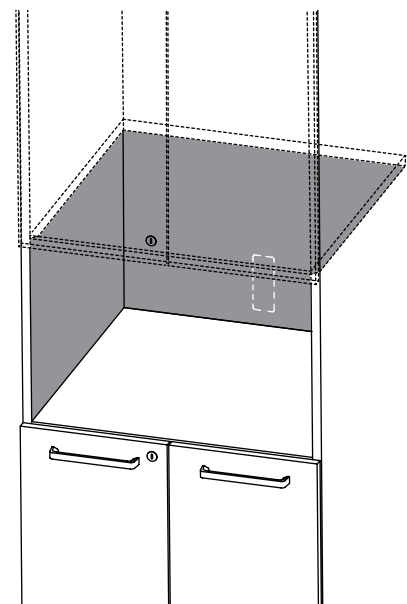
with pass-through grommet (W) option

This option features a factory made cut-out with a plastic Pass-Through Grommet. Wall outlets must be planned accordingly. For details on Pass-Through Grommet heights, see next pages



no cut-out (N) option

This option comes without cut-out. Therefore an opening for wall outlets will have to be cut on-site at the required position and shape. A Pass-Through Grommet (CEAGR) can be specified separately if the on-site cut-out matches its shape



planning with storage cabinets (continued)

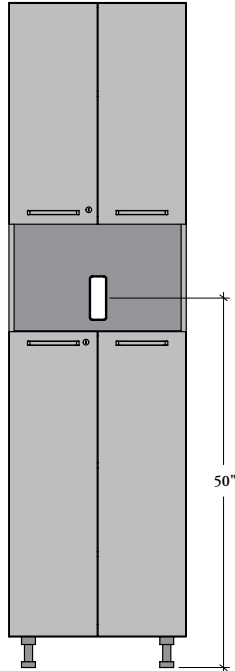
cut-out for storage cabinet – microwave section(s) & doors (continued)

pass-through grommet heights (when leveled at 0")

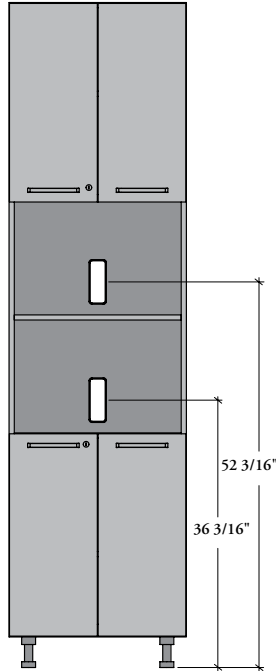
Tall Cabinet – Microwave Section(s) and Doors (CEMS) or
Tall Cabinet – Microwave Section and Doors with Interior Drawers (CEMD)

FRONT VIEWS

One Microwave
Every Datum

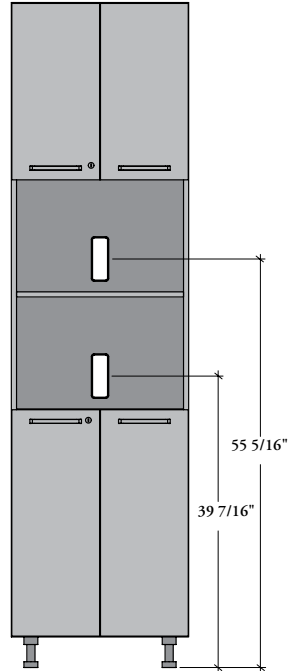


32" Adjacent Base
Cabinet Height



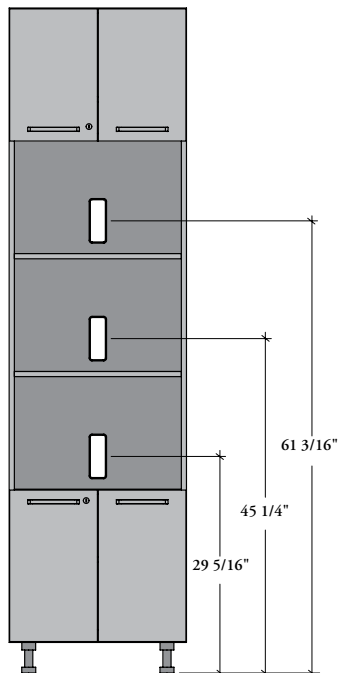
Two Microwaves

35" Adjacent Base
Cabinet Height

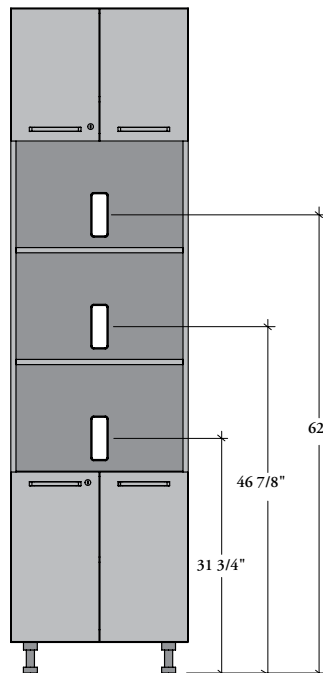


Three Microwaves

32" Adjacent Base
Cabinet Height



35" Adjacent Base
Cabinet Height



planning with storage cabinets (continued)

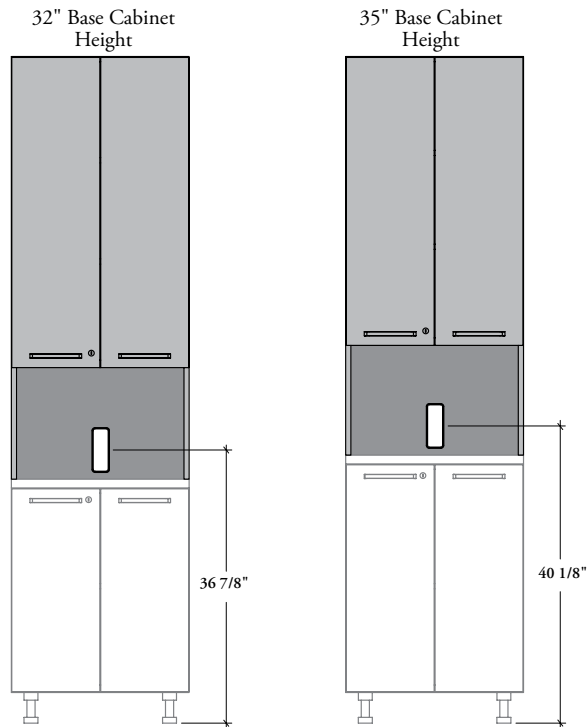
cut-out for storage cabinet – microwave section(s) & doors (continued)

pass-through grommet heights (when leveled at 0") (continued)

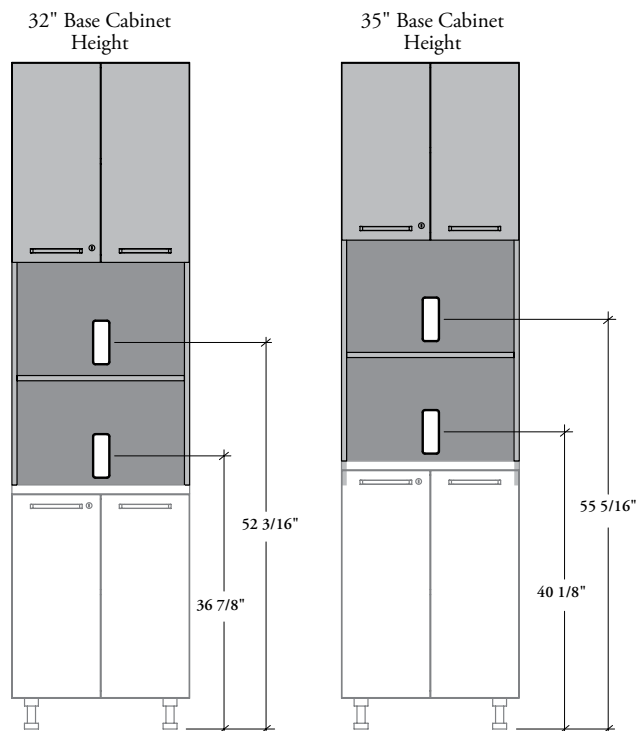
Counterop Cabinet – Microwave Section(s) and Doors (CECM)

FRONT VIEWS

One Microwave



Two Microwaves



planning with storage cabinets (continued)

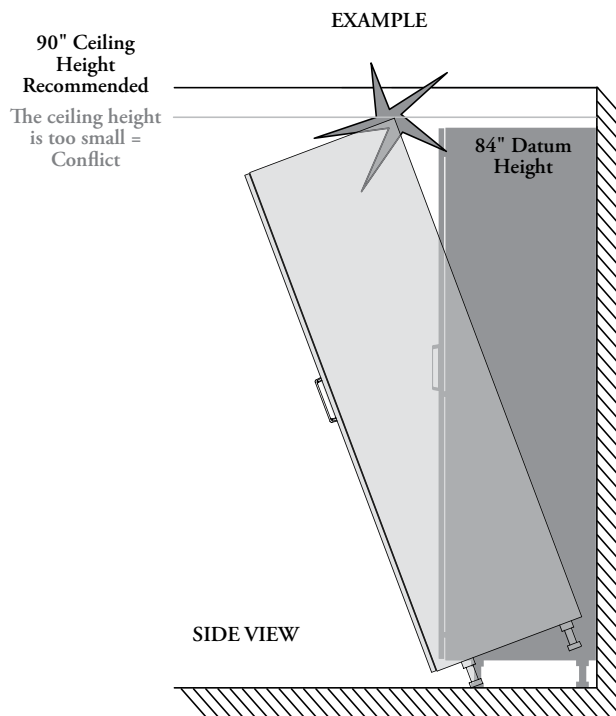
The following should be considered when planning with storage cabinets.

storage cabinet specification heights

Minimum ceiling height recommended

This chart shows the the minimum ceiling height recommended to easily flip Tall Cabinets on-site for an easy installation

Datum Height	Minimum Ceiling Height
84"	90"
90"	95"
96"	101"

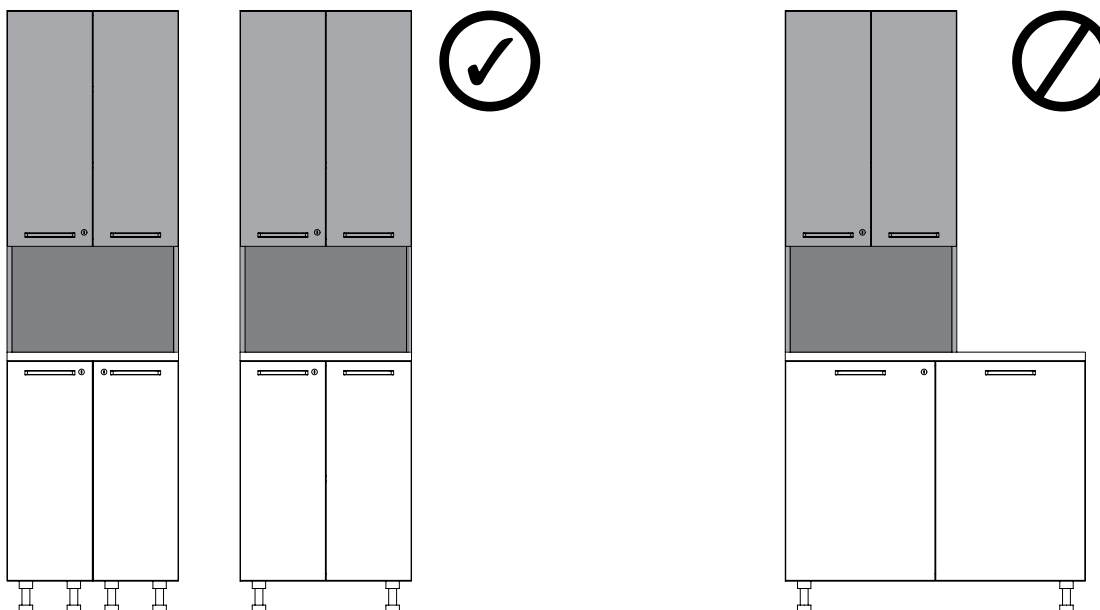


planning with countertop cabinet

- Should be used on the Countertop (CEWCT) 1 3/16" (M) to ensure alignment with other products
- Must be anchored to the wall

FRONT VIEW

- Must be on-module on one or multiple base cabinets

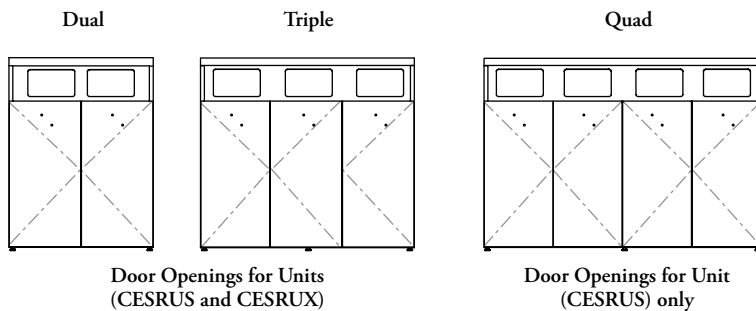


planning with storage cabinets (continued)

Recycling/Disposal Units are available in a variety of widths and configurations.

waste/recycling units

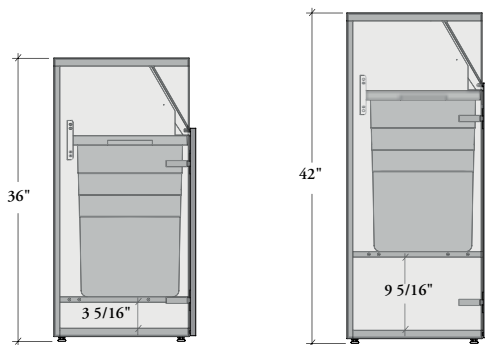
- Provides enclosed storage space for Recycling/Waste Bins
- Construction: Case and fronts are 11/16" except the top that is 1" thick
- Each Standard Recycling/Waste Bin has a capacity of 35L and XL Bin has a capacity of 90L
- Each waste compartment can be identified with a Recycling/Waste Symbol (CEASR), sold separately. The door front comes with pre-drill holes, when Symbol Ready (S) is specified. For more details on waste identification, refer to page 119



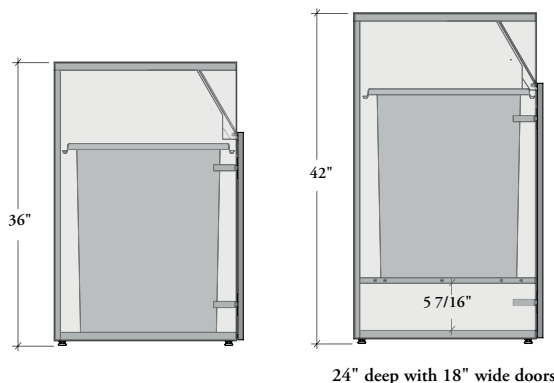
door openings

- The Recycling/Disposal Unit – Standard Bins is available in Dual (D), Triple (T) and Quad (Q) configuration and the Recycling/Disposal – XL Bins is available in Dual (D) and Triple (T) configuration
- The units come with Standard – Soft Close (S) Hinge Style only

Recycling/Disposal Unit – Standard Bins (CESRUS)

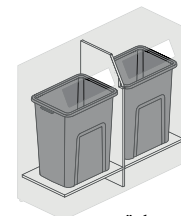


Recycling/Disposal Unit – XL Bins (CESRUX)



interior configuration & clearance

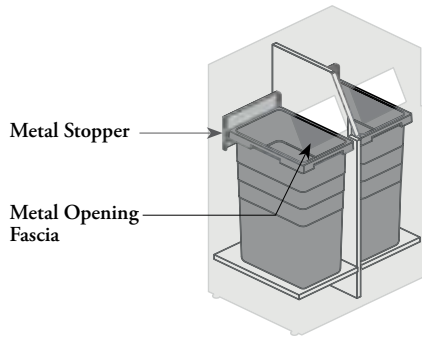
- One Recycling/Waste Bin is included for each section
- Fixed Shelf included with Unit – Standard Bins:
 - Bins lay on a fixed shelf, height varies depending on total datum height specified
 - 36" high configuration: 3 5/16" clearance under shelf
 - 42" high configuration: 9 5/16" clearance under shelf
- Fixed Shelf included with Unit – XL Bins:
 - At 42" high, bins lay on a fixed shelf, leaving a 5 7/16" clearance under shelf
 - 36" high configuration: **No** fixed shelf, bins lay directly on the base
 - Available at 24" deep with 18" wide doors, or 18" deep with 24" wide doors. Both sharing the same bin, in different orientations



18" deep with 24" wide doors

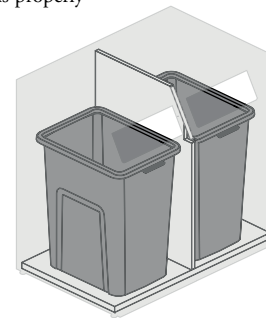
planning with storage cabinets (continued)

waste/recycling units (continued)



angled metal opening fascia & metal stopper

- A fixed Angled Metal Opening Fascia is included and protect the surrounding of the openings
- With Standard Bins (CESRUS), a metal stopper maintains the bins close to the front, while with XL Bins (CESRUX), depth of storage is adapted to fit the bins properly



planning with recycling/disposal units

Features an integrated 1" thick top, which will **not** align when used next to a base cabinet with a 1 3/16" thick countertop

