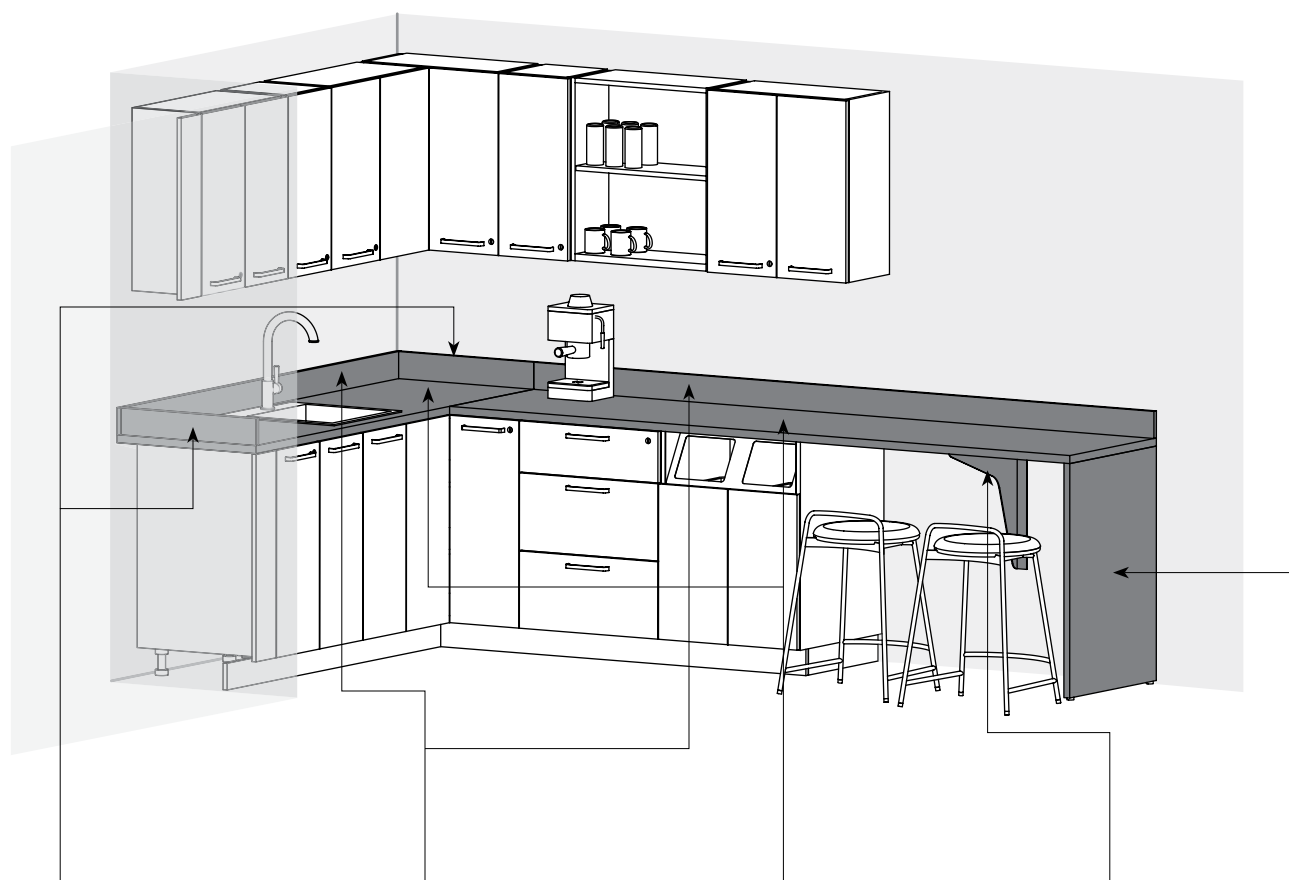


countertops & supports

UNDERSTANDING STANDARD COUNTERTOP & SUPPORTS	76
STANDARD COUNTERTOP & SUPPORTS BASICS.	77
PLANNING WITH STANDARD COUNTERTOP & SUPPORTS	
PLANNING WITH STANDARD COUNTERTOP	79
PLANNING WITH BACKSPLASH & SIDESPLASH.	80
PLANNING WITH SUPPORTS.	81
UNDERSTANDING ISLAND COUNTERTOP & STRUCTURES	82
ISLAND COUNTERTOP & STRUCTURES BASICS	83
PLANNING WITH ISLAND COUNTERTOP & STRUCTURES	
PLANNING WITH ISLAND COUNTERTOP.	85
PLANNING WITH ISLAND STRUCTURES	85
VISITOR SPACE WITH ISLAND STRUCTURES	86
POWER DISTRIBUTION WITH ISLAND STRUCTURES	86

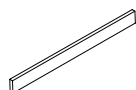
understanding standard countertop & supports

Expansion Casework+ Countertop & Supports are designed to complement cabinets and storage.



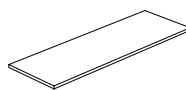
**Sidesplash
(CEWCS)**

- 11/16" thick
- Use along the depth side of countertop, where it meets backsplash
- Backsplash is **mandatory** when using a Sidesplash
- Available in Standard (S) or Water Resistant (W) option
- Standard (S) option provides a good protection against water splash but Water Resistant (W) option is suitable for more intense water environments



**Backsplash
(CEWCB)**

- 11/16" thick
- Use along the width side of countertop
- Are made slightly larger than their nominal size to match the countertop



**Countertop
(CEWCT)**

- 1 3/16" thick (M) with trims on all sides
- Is made slightly larger than their nominal size to ensure they fully cover the base cabinet



**Countertop Bracket
(CEWHB)**

- One piece metal construction
- Non-handed
- Should be used to support countertop section with no underneath base cabinet



**Countertop Gable
(CEWHG)**

- Intended to support the end of a countertop when no base cabinet is specified
- Non-handed

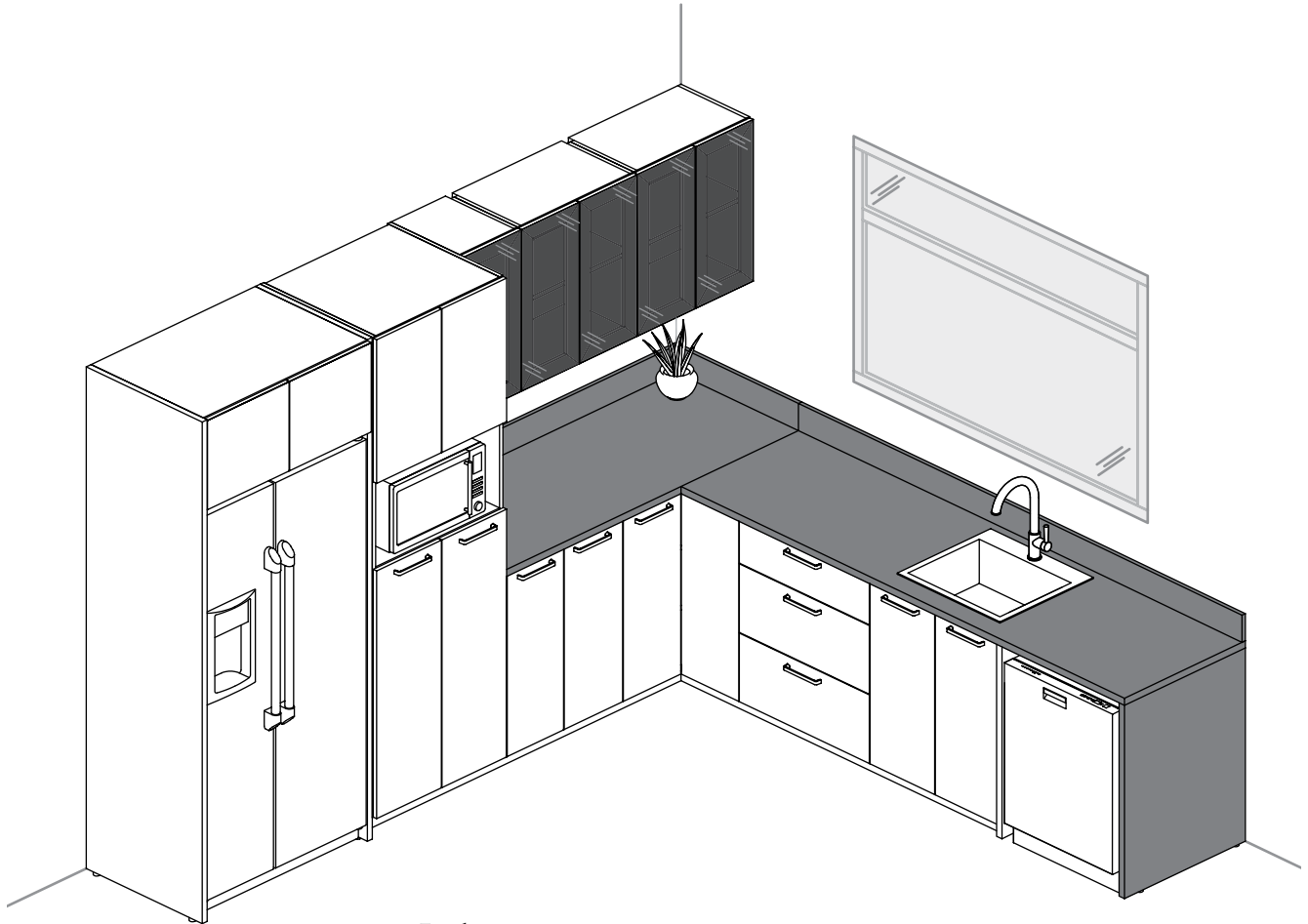
For Finishes; see next page

For Grain Direction; see page 132

For Edge Trim Style; see page 134

standard countertop & supports basics

Countertop & Supports are an essential part of a layout.



Finishes

- **Countertop:** Foundation Laminate, Grade 2 Laminate or Flintwood (No Cathedral)*
 - **Backsplash and Sidesplash:** Source Laminate, Foundation Laminate, Grade 2 Laminate or Flintwood (No Cathedral)*
 - **Edge Trim:** Edge Trim Colors and Not Applicable**
 - **Countertop Bracket:** Foundation, Accent and Mica
 - **Countertop Gable:** Source Laminate, Grade 2 Laminate*** or Flintwood (No Cathedral). Is also available to finish the side of a Base Cabinet
 - **Mounting Bracket (Countertop Gable)** are color coordinated to the gable
 - **Island Structure Gables and Center Panel:** Source Laminate, Grade 2 Laminate*** or Flintwood (No Cathedral)
 - **Levelers (Countertop Gable):** Chrome
- * Restrictions apply with this finish, refer to individual product pages for details
 ** Not Applicable (NA) option is only available when Flintwood Front Finishes are specified
 *** When Grade 2 Laminate is specified, the Accent colors are not available

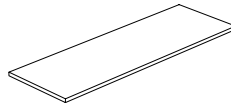
Finish Restrictions

Not all finishes are applicable with the Countertop, Backsplash, Sidesplash & Countertop Gable, refer to individual product pages for more details

standard countertop & supports basics (continued)

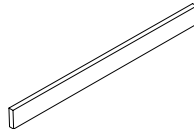
Countertop (CEWCT)

- Standard (S) or Water Resistant (W) Countertop Style
- Countertop Thickness: 1 3/16" (M)
- Depths: 24", 25", 29" or 30"
- Widths: 12" to 108" (1" increments) – Standard (S) Countertop
or 12" to 93" (1" increments) – Water Resistant (W)
Countertop



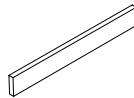
Backsplash (CEWCB)

- Standard (S) or Water Resistant (W) Backsplash Style
- Widths: 12" to 107" (1" increments)
- Height: 4"



Sidesplash (CEWCS)

- Standard (S) or Water Resistant (W) Sidesplash Style
- Depths: 24", 25", 29" or 30"
- Height: 4"



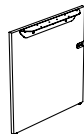
Countertop Bracket (CEWHB)

- Dimension: 16" h x 16" d



Countertop Gable (CEWHG)

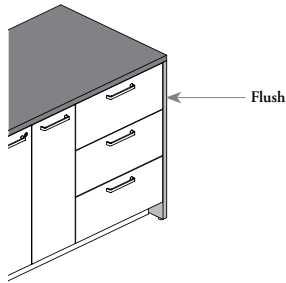
- Depths: 24", 25", 29" or 30"
- Height: 32" or 35"
- Comes with mounting brackets and levelers
- Levelers create a 3/8" gap under the gable when leveled to the minimum height. Total leveling range is 3 1/2"



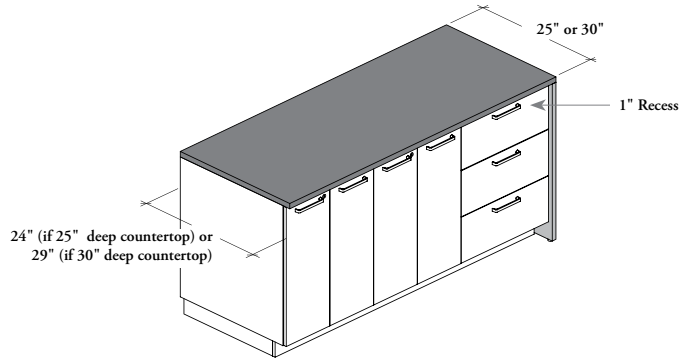
planning with standard countertop & supports

planning with standard countertop

- For application between two walls, it is recommended to specify the countertop oversized, to be cut on-site and ensure a perfect fit
- When specifying the depth of a countertop, two aesthetics can be achieved:

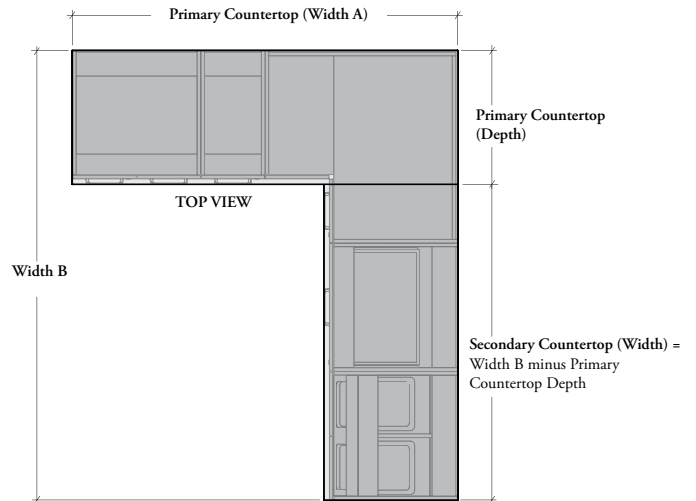


If the countertop and base cabinets are specified at the same depth, a **flush front look** will be achieved

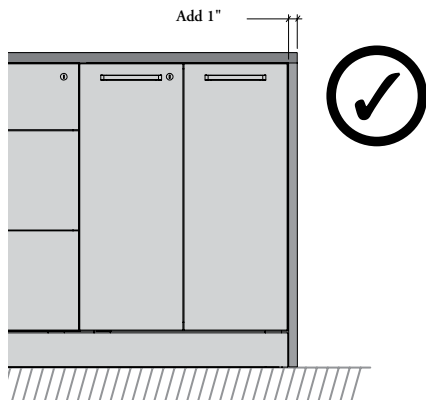


If a 25" deep countertop is specified over 24" deep base cabinets, or a 30" deep countertop over 29" deep base cabinets, a **recessed front look** will be achieved

For Corner Application, primary countertop (width A) cover the full width of the main cabinet row. When width of the secondary countertop should then be reduced by the primary countertop depth

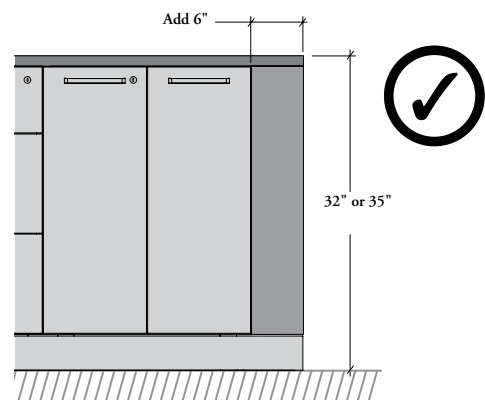


With End Panel – Base Cabinet



When a layout is specified with a End Panel – Base Cabinet (CEAEB), 1" should be added to the total width of the countertop to extend over the end panel

With Side Filler – Base Cabinet



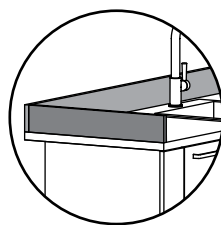
When a Side Filler (CEAFSB) is used beside a base cabinet, 6" should be added to the total width of the countertop to extend over the filler

planning with standard countertop & supports (continued)

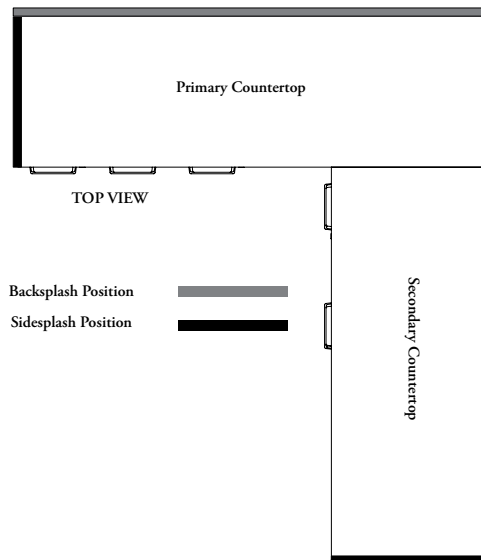
The following should be considered when planning with a Backsplash and/or Sidesplash.

planning with backsplash & sidesplash

- 11/16" thick with edge trim on all sides
- Backsplash is only used along the width of a countertop
- Sidesplash is only used along the depth of a countertop, where it meets Backsplash
 - For a L-Shape layout, a combination of Sidesplash (CEWCS) and Backsplash (CEWCB) must be used to cover the secondary countertop width
- Backsplash must be specified the same width as the countertop and Sidesplash, the same depth
- Backsplash is **mandatory** when using a Sidesplash

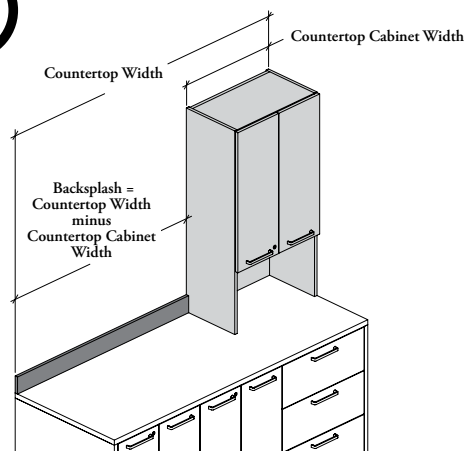


L-Shape Layout Application



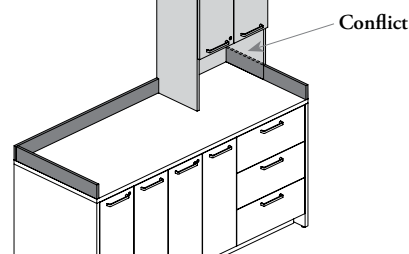
backsplash & countertop cabinet application

- Sidesplash is **not mandatory** when using Backsplash
- When used with Countertop Cabinet – Microwave Section(s) and Doors (CECM), the width of the storage must be removed from the total width of the Backsplash



planning with sidesplash & countertop cabinet

Cannot be used in combination with a Countertop Cabinet – Microwave Section(s) and Doors (CECM)

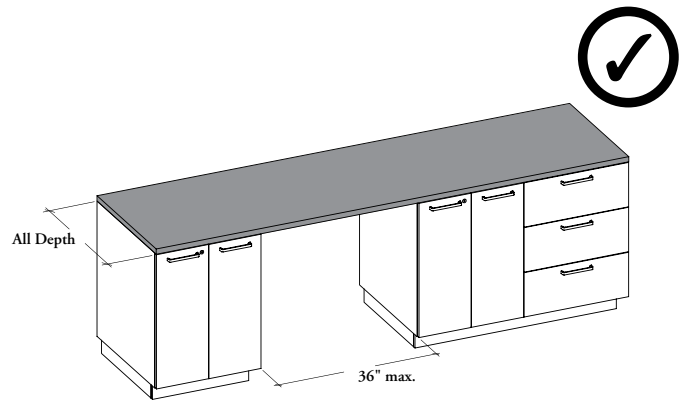


planning with standard countertop & supports (continued)

planning with supports

planning with base cabinets

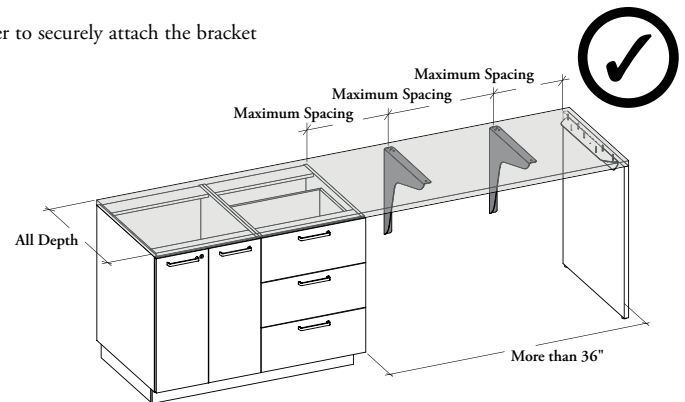
When the unsupported span between two base cabinets **does not** exceed 36", **no** additional support is required. This empty space can then be used for appliance like dishwasher or for seated places



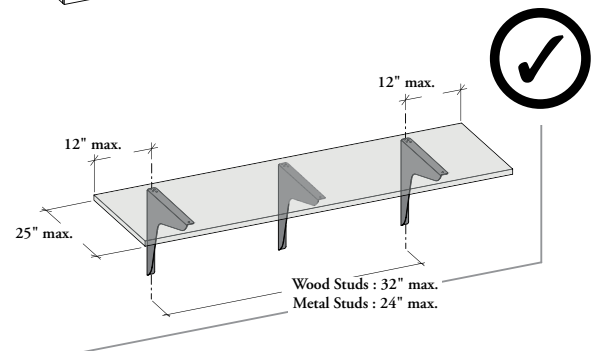
planning with countertop bracket

- Should be anchored to wood or metal studs; it is the responsibility of the installer to securely attach the bracket

- When the unsupported section of a countertop is more than 36", **Countertop Brackets (CEWHB)** must be used:
 - A maximum spacing between these brackets or other supporting products (Countertop Gable or Base Cabinets) must be respected
 - For wood structure wall, maximum spacing is 32"; for metal structure wall maximum spacing is 24"

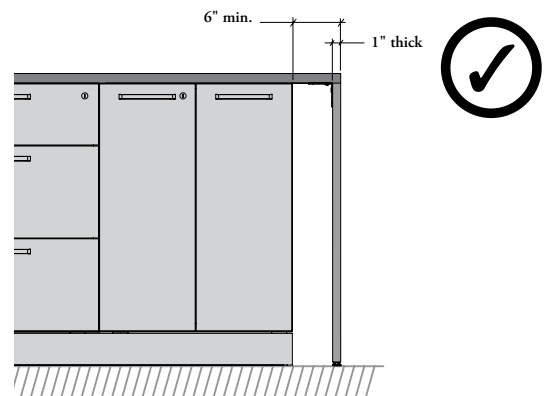


- When the countertop is supported only by Countertop Brackets, countertop depth must **not** exceed 25"
 - A maximum of 12" countertop overhang is allowed at each end
 - Each Countertop Bracket must **not** exceed 32" center to center if in wood structure or 24" center to center in metal structure
 - Can be installed at any height



planning with countertop gable

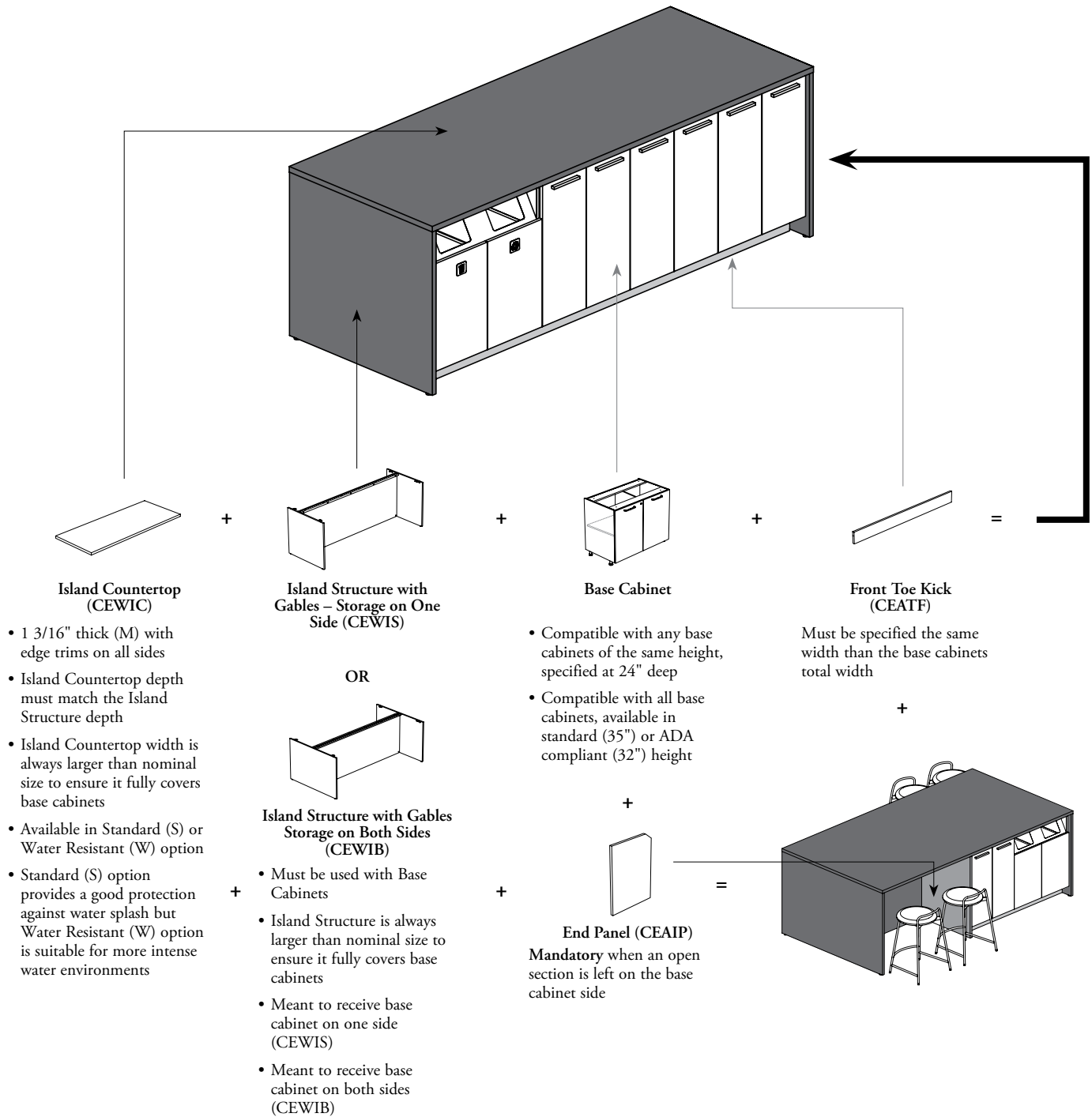
Cannot be used right next to a base cabinet, a 6" minimum of countertop overhang must be respected for hardware clearance



understanding island countertop & structures

Expansion Casework+ Island Countertop & Structures are designed to add additional flexible storage solutions.

⚠ A combination of products needs to be specified to create a complete island



For Finishes; see next page

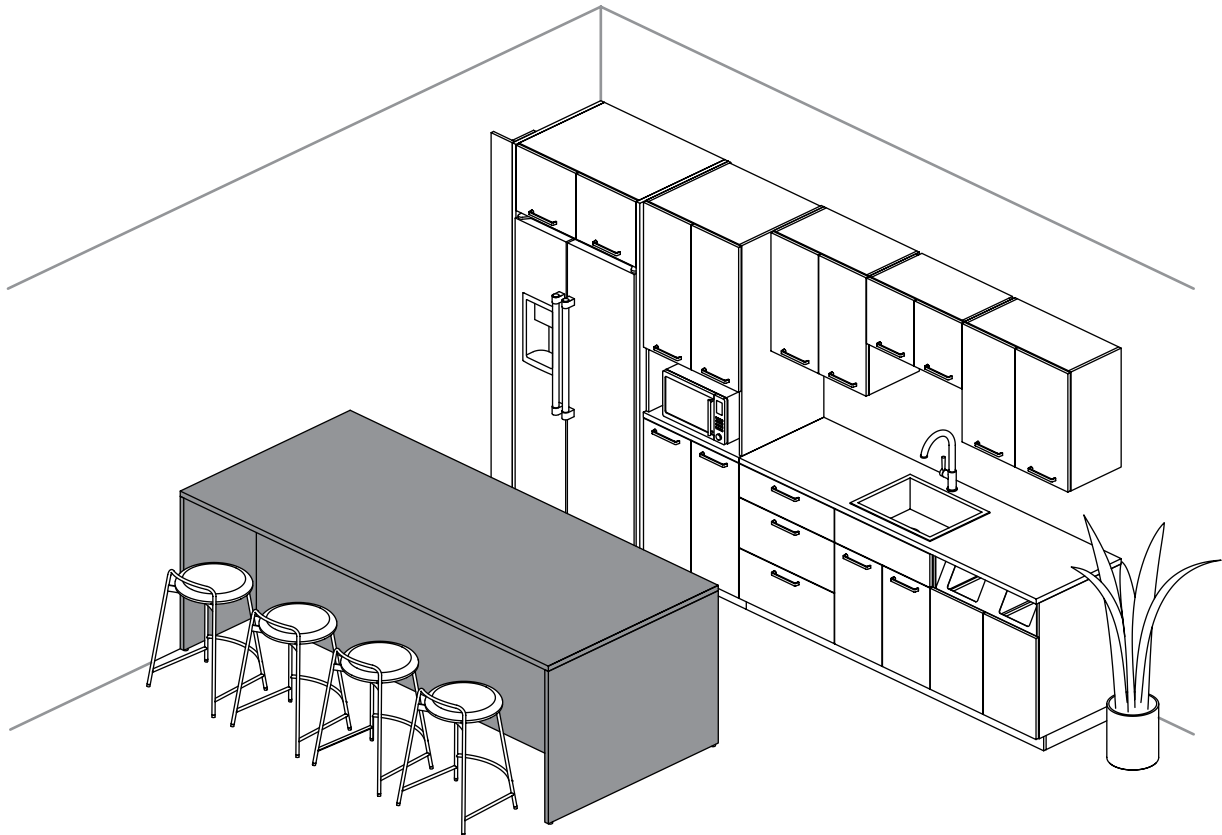
For Grain Direction; see page 132

For Edge Trim Style; see page 134

island countertop & structures basics

Islands are compatible with Base Cabinets. They offer additional countertop create gathering spaces in open space environment.

- Meant to be used in freestanding standalone application
- The Island Structure with Gables – Storage on One Side (CEWIS) is designed to accommodate cabinets on one side and visitors on the other. Depending on the total depth, the visitor side can accommodate stools



Finishes

- **Island Countertop:** Foundation Laminate, Grade 2 Laminate or Flintwood (No Cathedral)*
- **Edge Trim:** Edge Trim Colors and Not Applicable**
- **Island Center Panel and Gables:** Source Laminate, Grade 2 Laminate or Flintwood (No Cathedral)*
- **Cabinet Alignment Bracket** are color coordinated to the Center Panel
- **Levelers (Gables on Island Structures):** Chrome

* Restrictions apply with this finish, refer to individual product pages for details

** Not Applicable (NA) option is only available when Flintwood Front Finishes are specified

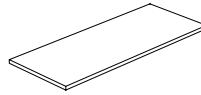
Finish Restrictions

Not all finishes are applicable with the Island Countertop and Island Structures, refer to individual product pages for more details

island countertop & structures basics (continued)

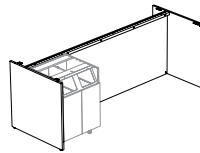
Island Countertop (CEWIC)

- Standard (S) or Water Resistant (W) Countertop Style
- Countertop Thickness: 1 3/16" (M)
- Depths: 30" to 54" (6" increments and actual dimensions)
- Widths: 62" to 104" (3" increments) – Standard (S) Countertop
or 62" to 92" (3" increments) – Water Resistant (W) Countertop



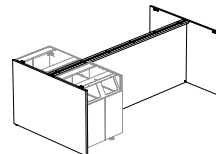
Island Structure with Gables – Storage on One Side (CEWIS)

- Comes with two gables and a center panel
- Depths: 30" to 48" (6" increments)
- Widths: 62" to 104" (3" increments)
- Heights: 32" or 35"
- Storage Depth: 24"
- Storage Configuration: Flush Front (F) or Recessed Front (R)
- Storage Configuration must be specified to determine Base Cabinet front position and will **not** be retrofitable on-site



Island Structure with Gables – Storage on Both Sides (CEWIB)

- Comes with two gables and a center panel
- Storage Depth A: 24"
- Storage Depth B: 24"
- Depths: 52" or 54"
- Widths: 62" to 92" (3" increments)
- Heights: 32" or 35"
- Storage Configuration: Flush Front (F) or Recessed Front (R)
- Storage Configuration must be specified to determine Base Cabinet front position and will **not** be retrofitable on-site



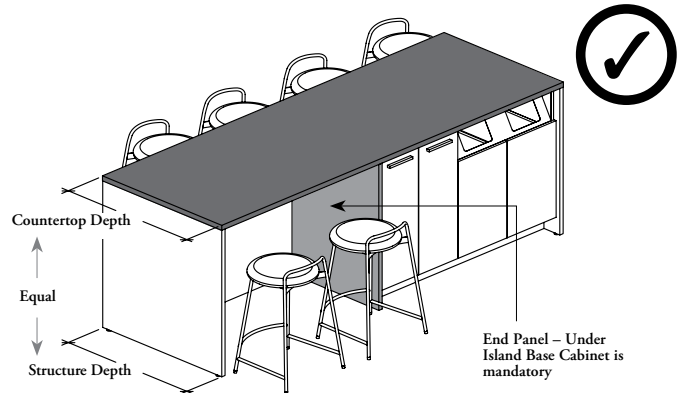
planning with countertop & structures

The following should be considered when planning with Island Countertop & Structures.

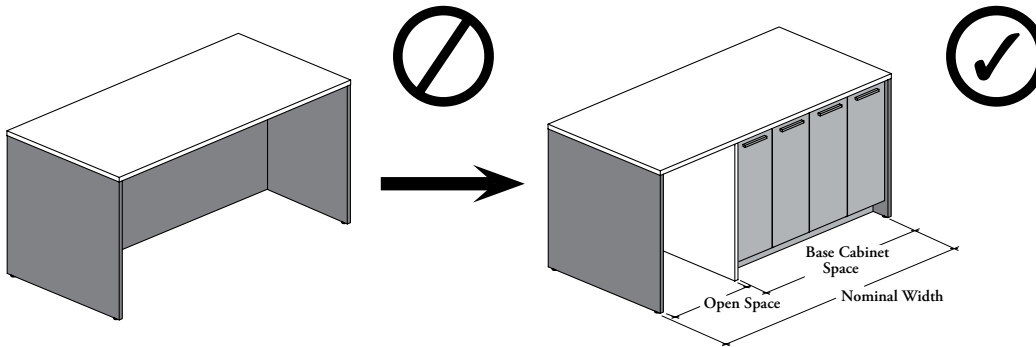
- ❗ • Must be anchored to the floor when plumbing or electricity is involved
- Fasteners for floor anchoring must be provided by installers

planning with island countertop

- Island Countertop depth must match the Island Structure depth
- When a section without base cabinets is needed, it is **mandatory** to add an End Panel – Under Island Base Cabinet (CEAIP)



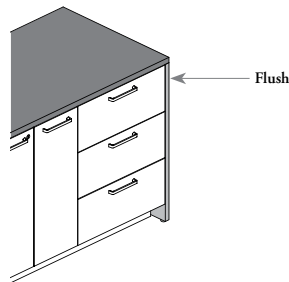
planning with island structures



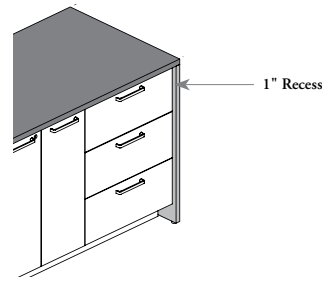
The Island Structure (CEWIS or CEWIB) **cannot** be used without storage

- At least one cabinet must be used
 - No width limits in open space
 - To determine the available space for base cabinets, 2" need to be removed from the nominal width
- Example:** 62" Island Structure minus 2" = 60" available for Base Cabinets

Two Storage Configurations are available:



Flush Front (F) Storage Configuration
The front of the base cabinet will be flush with the front of the countertop

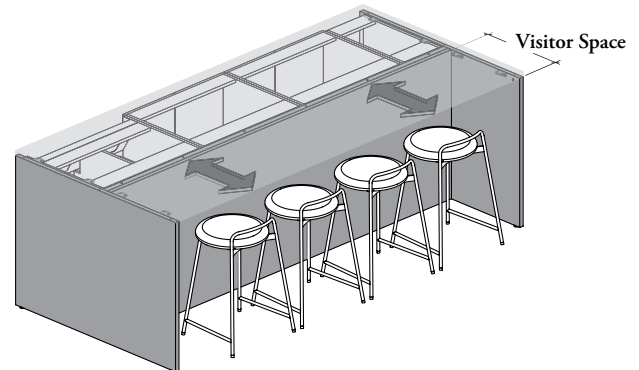


- Recessed Front (R) Storage Configuration**
- The front of the base cabinet will be 1" recessed from the front of the countertop
 - **NOTE:** When Recessed Front (R) is specified, the opening of Full Extension (F) hinges right next to the gable may be limited

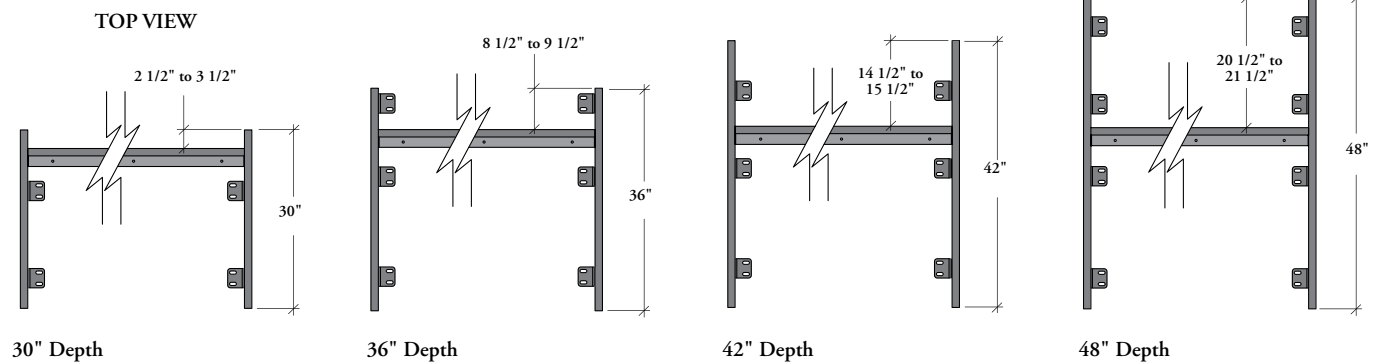
planning with countertop & structures (continued)

visitor space with island structures

The overall depth of the Island Structure will **not** be affected by the storage configuration, but it will affect the remaining space on the visitor side on the Island Structure with Gables – Storage on One Side (CEWIS)



Internal depth on visitor side for Island Structure with Gables – Storage on One Side (CEWIS):



power distribution with island structures

Power Outlet is not included

TOP VIEW

Power Outlet

Cabinet Alignment Bracket

Center Panel

1 3/4"

2 3/4"

- The Island Structure provides space between the center panel and the base cabinets, so that an electrical box can be installed on the center panel for visitor access
- The Cabinet Alignment Bracket will maintain a gap between Base Cabinet and Center Panel to allow wire management
- **No** cut-outs are provided for this application; it is the installer's responsibility to determine the position and to make the necessary modifications to install the power outlets while making sure the electrical connections comply with current local standards