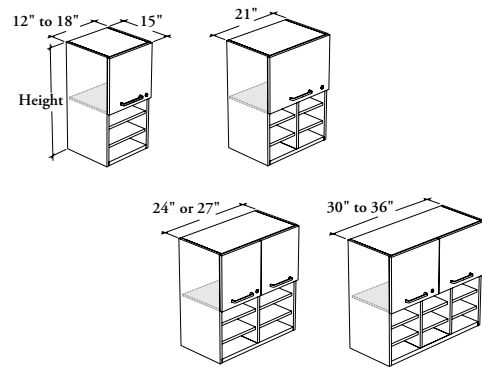


upper cabinets

Xpress

CEUPS

Upper Cabinet – Pigeonholes Section and Door(s)



WHAT'S INCLUDED

1 upper cabinet, pull(s) (as specified), mounting hardware, locks and keys (as specified), 1 adjustable shelf for 30" to 42" height (upper section) and pigeonhole openings per column as listed below:

Pigeonhole Openings (bottom section)	12" to 18" w	21" to 27" w 1 Vertical Divider	30" to 36" w 2 Vertical Dividers
27" to 42" h	3	3	3

WHAT'S EXCLUDED

Wall-Mounted Rail for Upper Cabinet (CEUR) and Recessed LED Light (CEALED).

NOTES

Light Management with Groove Connection – None (X) is **not** available when 12" to 21" width cabinet is specified.

An Integrated End Panel **cannot** be specified on the same side as a groove connection in the Light Management options.

When Flintwood Front Finish is specified, only Not Applicable (NA) Edge Trim Finish is available.

When Stainless (8) or Drilled On-Site – No Pull (Z) Pull Style is specified, Pull Finish is **not** available.

Pigeonhole shelves are removable, but **cannot** be adjusted.

The Pigeonhole section is always 12" high.

When a shelf is included, holes at 1 1/4" intervals allow for shelf adjustment.

Additional Shelves for Cabinet (CEACS) are available for 30" to 42" height cabinets and must be specified separately.

Xpress See *Xpress Program* and/or specification software for finishes availability.

PRODUCT OPTIONS

Depth	Width	Height	Light Management	Integrated End Panel	Door Swing Direction	Hinge Style
15	12, 15, 18, 21, 24, 27, 30, 33, 36	27, 30, 33, 36, 42	B Groove Connection – Both Sides L Groove Connection – Left R Groove Connection – Right X Groove Connection – None N No Light Management	B End Panel – Both Sides (Shown) L End Panel – Left R End Panel – Right N End Panel – None	L Door Swing – Left (Shown) R Door Swing – Right N Not Applicable (Shown)	S Standard – Soft Close

SAMPLE ORDER CODE

CEUPS 15	24	30	N	L	N	S
-----------------	-----------	-----------	----------	----------	----------	----------

PRODUCT OPTIONS CONTINUED

Front Finish	Edge Trim Finish	Case Finish	Pull Style		Pull Finish (If Applicable)	Key Style
Source Laminate	Edge Trim Colors	Source Laminate	1 Standard Expansion	M Modern Straight (ADA)	Foundation	K Keyed Alike
Foundation Laminate	NA Not Applicable	Flintwood (No Cathedral)	8 Stainless (ADA)	S Slim (Shown)	Accent	R Keyed Randomly
Grade 2 Laminate			9 Rectangular	Z Drilled On-Site – No Pull	Mica	N No Lock
Flintwood (No Cathedral)			E Edge – Standard			
			F Edge – Small			

SAMPLE ORDER CODE CONTINUED

3G	4G	3G	S	52	K
-----------	-----------	-----------	----------	-----------	----------

See Pricing on the following page.

CEUPS

Upper Cabinet – Pigeonholes
Section and Door(s) (Continued)

DIMENSIONS
INCHES / MM

PRICING

			LEFT (L) OR RIGHT (R) DOOR SWING							
			SOURCE LAMINATE FRONT		FOUNDATION LAMINATE FRONT		GRADE 2 LAMINATE FRONT		FLINTWOOD FRONT	
			CASE FINISH							
D	W	H	Source Laminate	Source Laminate	Source Laminate	Flintwood	Source Laminate	Flintwood		
15 / 381	12 / 305	27 / 686	737	764	833	2291	824	2237		
15 / 381	12 / 305	30 / 762	796	830	895	2481	886	2413		
15 / 381	12 / 305	33 / 838	829	869	930	2533	920	2452		
15 / 381	12 / 305	36 / 914	862	909	965	2586	955	2491		
15 / 381	12 / 305	42 / 1067	914	974	1033	2693	1022	2572		
15 / 381	15 / 381	27 / 686	794	828	895	2390	886	2322		
15 / 381	15 / 381	30 / 762	859	901	965	2591	955	2507		
15 / 381	15 / 381	33 / 838	891	941	1001	2651	991	2550		
15 / 381	15 / 381	36 / 914	925	983	1040	2712	1029	2594		
15 / 381	15 / 381	42 / 1067	979	1054	1117	2839	1105	2687		
15 / 381	18 / 457	27 / 686	853	893	960	2488	950	2407		
15 / 381	18 / 457	30 / 762	922	972	1036	2701	1025	2600		
15 / 381	18 / 457	33 / 838	955	1015	1075	2769	1064	2648		
15 / 381	18 / 457	36 / 914	990	1060	1118	2840	1106	2698		
15 / 381	18 / 457	42 / 1067	1045	1135	1201	2985	1189	2803		
15 / 381	21 / 533	27 / 686	967	1014	1080	2925	1069	2830		
15 / 381	21 / 533	30 / 762	1041	1099	1163	3150	1151	3032		
15 / 381	21 / 533	33 / 838	1074	1144	1205	3228	1193	3086		
15 / 381	21 / 533	36 / 914	1110	1191	1250	3303	1237	3138		
15 / 381	21 / 533	42 / 1067	1167	1272	1343	3468	1329	3256		
			NOT APPLICABLE DOOR SWING (N)							
15 / 381	24 / 610	27 / 686	1123	1176	1315	3191	1301	3083		
15 / 381	24 / 610	30 / 762	1205	1272	1408	3460	1394	3325		
15 / 381	24 / 610	33 / 838	1243	1323	1457	3570	1442	3408		
15 / 381	24 / 610	36 / 914	1286	1379	1509	3680	1494	3491		
15 / 381	24 / 610	42 / 1067	1346	1465	1604	3904	1588	3662		
15 / 381	27 / 686	27 / 686	1174	1234	1374	3348	1360	3227		
15 / 381	27 / 686	30 / 762	1267	1342	1480	3633	1465	3481		
15 / 381	27 / 686	33 / 838	1309	1399	1534	3751	1518	3569		
15 / 381	27 / 686	36 / 914	1356	1461	1593	3871	1577	3659		
15 / 381	27 / 686	42 / 1067	1428	1562	1704	4117	1687	3844		
15 / 381	30 / 762	27 / 686	1282	1349	1491	3843	1476	3708		
15 / 381	30 / 762	30 / 762	1382	1465	1605	4143	1589	3975		
15 / 381	30 / 762	33 / 838	1430	1530	1667	4272	1650	4070		
15 / 381	30 / 762	36 / 914	1481	1597	1731	4400	1713	4164		
15 / 381	30 / 762	42 / 1067	1562	1711	1858	4666	1839	4363		

Pricing is continued on the following page.

upper cabinets

Xpress

CEUPS

Upper Cabinet – Pigeonholes Section and Door(s) (Continued)

DIMENSIONS
INCHES / MM

PRICING

			NOT APPLICABLE DOOR SWING (N)					
			SOURCE LAMINATE FRONT	FOUNDATION LAMINATE FRONT	GRADE 2 LAMINATE FRONT	FLINTWOOD FRONT		
			CASE FINISH					
D	W	H	Source Laminate	Source Laminate	Source Laminate	Flintwood	Source Laminate	Flintwood
15 / 381	33 / 838	27 / 686	1331	1404	1549	3999	1533	3851
15 / 381	33 / 838	30 / 762	1443	1534	1675	4315	1658	4130
15 / 381	33 / 838	33 / 838	1494	1603	1742	4452	1724	4230
15 / 381	33 / 838	36 / 914	1551	1679	1813	4589	1795	4330
15 / 381	33 / 838	42 / 1067	1642	1806	1956	4877	1936	4544
15 / 381	36 / 914	27 / 686	1380	1460	1606	4156	1590	3994
15 / 381	36 / 914	30 / 762	1502	1602	1745	4489	1727	4287
15 / 381	36 / 914	33 / 838	1558	1677	1816	4633	1798	4391
15 / 381	36 / 914	36 / 914	1618	1757	1893	4780	1874	4497
15 / 381	36 / 914	42 / 1067	1719	1898	2052	5089	2031	4726

