

emote

reference guide

01.27.2025

teknion

update summary

Please be advised that information has been updated within the Emote Reference Guide. To highlight these updates, a summary has been created for your reference.

revised

General maintenance to this guide has been implemented.

Please note, first orders for new products will be accepted on January 27, 2025. All software will also be updated by January 27, 2025. If you have any questions regarding the information enclosed, please contact your Teknion Customer Service Representative.

table of contents

WHAT IS EMOTE	3
PRODUCT MAP	6
FINISHES	8
TABLES	10
STORAGE & TOWERS	15
SHELVES	27
THOUGHT BOARDS	28
ACCESSORIES	33

what is emote



what is emote

Emote transforms the private office into the creative office, one with a fresh look and the freedom to move and function in multiple ways.

Emote offers a new expressive language applied to wood furniture that surprises and inspires while maintaining the natural, tactile appeal of wood.

With Emote, one can make a statement, inspire creativity or offer a sense of home away from home.

Emote supports the agile worker with the freedom to function in multiple ways.



what is emote

Emote, designed by Mario Ruiz, is a collection of 21 distinct furniture elements that includes desks, cabinets, towers, thought boards and accessories.

TABLES



Navigate Height-Adjustable
Freestanding Table Base Only
(EMTB)



Worksurface For Navigate
Extended Range Height-
Adjustable Table
(EMTW)



Table With Wood Legs
(EMTF)

STORAGE & TOWERS



Mini Cabinet On
Casters
(EMMP)



Mini Cabinet With Side
Access On Casters
(EMMS)



Low Single Cabinet
(EMC1)



Low Double Cabinet
(EMC2)



Low Triple Cabinet
(EMC3)



Low Double Cabinet With
Cubby
(EMCC)



Work Cabinet
(EMCW)



Medium Single Cabinet
(EMCM)



High Single Cabinet
(EMCH)



Single Tower
(EMT1)



Triple Tower
(EMT3)

WALL- MOUNTED SCREENS & ACCESSORIES



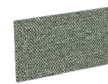
Desktop Shelf
(EMDS)



Emote Wall Shelf With
Thought Board
(EMWS)



Thought Board,
Magnetic Wood
(EMWW)



Thought Board,
Tackable
(EMWT)



Thought Board,
Magnetic Glass
(EMWG)



Thought Board, Additional
Wall Clear (EMWA)



Emote Organizers
(EMOM)



Emote Power Tray
(EMPW)

what is emote

The Teknion Planning Tool provides idea starters for planning with Emote products. Assets are also available for presentations and specifying Teknion products. The following are a few examples.

TEKNION PLANNING TOOL – EMOTE



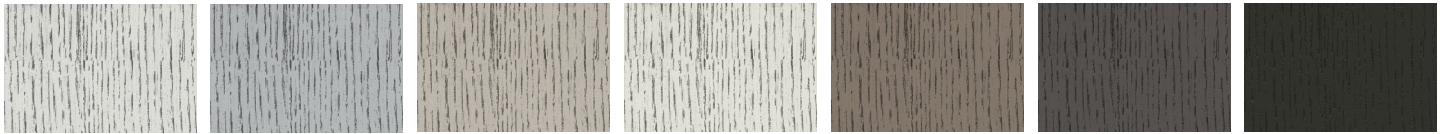
emote finishes

Chroma wood and paint finishes are exclusive to Emote. The woods consist of 14 bold and neutral paint colors applied to wood veneer with an open pore grain finish to maintain the tactical and warm experience that natural wood grain texture provides.

CHROMA WOOD



Brickstone (1D) TK Hunter (1G) Herbal (1F) Midnight (1L) Atmosphere (1H) Claret (1K) Blush (1J)



Crisp Grey (1Q) Soft Gris (1P) Sand (1T) Atrium White (1S) Earth (1R) Greystone (1N) Anthracite (1U)

CHROMA PAINT



Atmosphere (CJ) Herbal (CP) Blush (CK) Soft Gold (QC)

emote finishes

What does your Emote office have to say?

- Emote finishes and furniture options allow for individual and corporate expression

Transform the private office into the creative office by playing with neutral, contrasting or bold color combinations to convey a desired personality or culture.



home away from home



show your true colors



freedom of expression



make a statement

emote tables

PRODUCT FEATURES

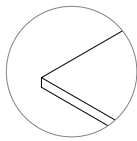
Emote tables are available in 2 options:

1. Wood Top with Solid Wood Legs (EMTF)
 - Optional modesty available
 - Power bar with cable tray included
 - Wire management strip included
2. Wood Top with Height-Adjustable Base
 - Top with optional modesty (EMTW) and Base (EMTB) are sold separately
 - Switches, power bar and wire management options available with base

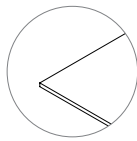
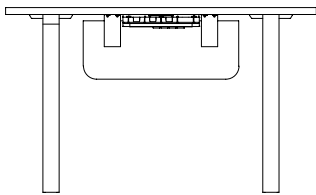
FINISHES

Top and Modesty Finish:	Rustic Oak, Veneer 2/3, Veneer 4, Chroma Wood, and Flintwood
Solid Wood Legs Finish:	Rustic Oak, Veneer 2/3, Veneer 4, Chroma Wood
Height-Adjustable Base Finish:	Foundation Mica Accent Chroma Metal Paint

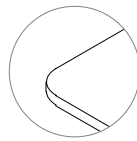
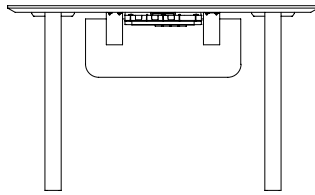
EDGE DETAILS



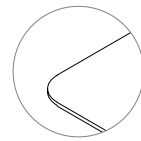
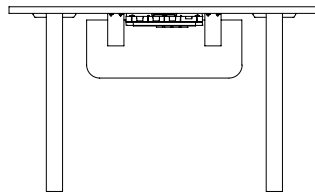
Rectangle Top
Square Edge



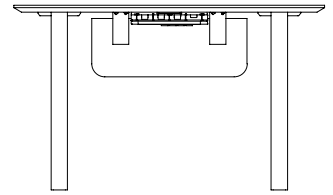
Rectangle Top
Knife Edge



Eased Corners
Square Edge
Corner Radius: 2.875"

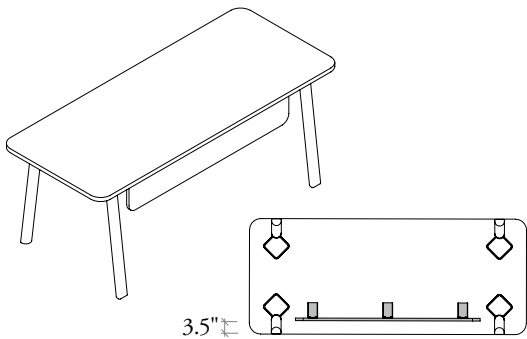


Eased Corners
Knife Edge
Corner Radius: 2.875"

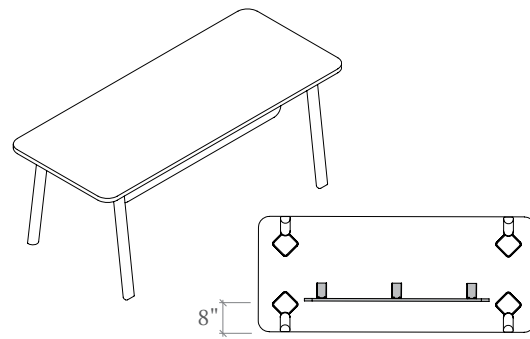


MODESTY OPTIONS

Emote worksurfaces are available with an optional modesty panel. The Modesty Panel can be placed in two locations determined on site.



Recessed 3.5"



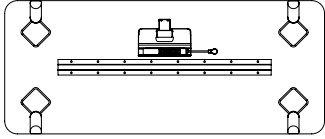
- X** Recessed 8"
Not available on
- 24" d. fixed-height tables
 - height adjustable Navigate table bases

emote tables

POWER OPTIONS

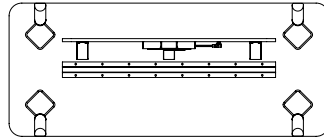
Integrated power bars can mount onto either a modesty or under a worksurface on the Emote Table with Wood Legs and include:

- A power bar with 4 outlets
- A cable management tray
- A wire manager



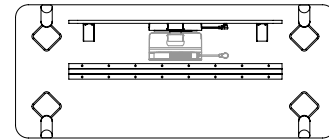
Worksurface mounted

- When no modesty panel is specified



Modesty Panel mounted with 8" recess

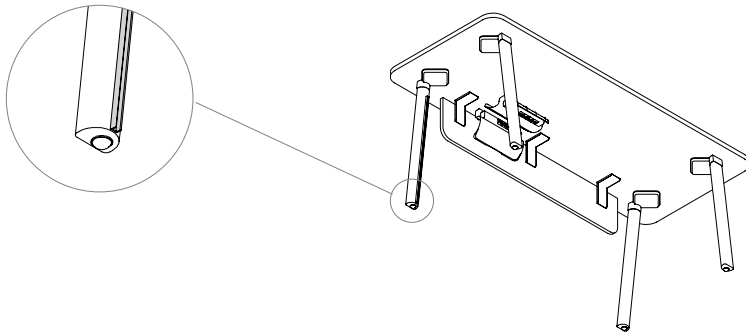
- Wire manager will be mounted to the modesty panel



Modesty Panel mounted with 3.5" recess

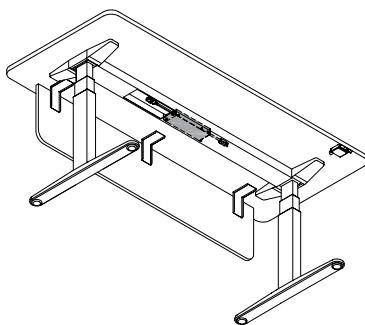
- 24" deep worksurface, mounts to the modesty panel
- 30" deep worksurface, mounts either to the modesty panel or the worksurface

Table legs include a wire management strip for guiding wires to the floor.

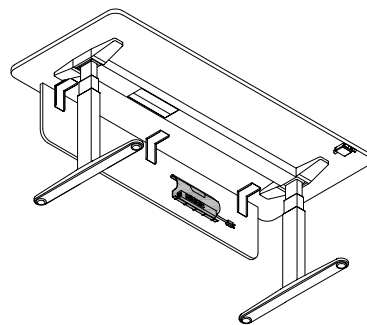


Cross channel integrated power bars are available on Height-Adjustable tables:

- 54" - 72" width
- Mounted either on a modesty or worksurface.
- An optional Vertical Wire Carrier provides additional wire management to the floor



Worksurface mounted



Modesty mounted

emote tables

worksurface for navigate extended range height-adjustable table (EMTW)



Shown in Chroma Wood



Shown in Flintwood

PRODUCT OPTIONS

Base Mechanism	Top Style	Actual Depth	Actual Width	Modesty	Surface Finish	Modesty Finish
9M Extended Electric-Emote	R Rectangular Top, Square Edge E Eased Corners, Square Edge K Rectangular Top, Knife Edge N Eased Corners, Knife Edge	30	48, 54, 60, 66, 72	N None M Modesty	Flintwood Veneer Chroma Wood	Flintwood Veneer Chroma Wood

The modesty can be specified in a different finish than the tabletop.

PRICING

Dimensions	Rustic Oak / Veneer 2/3 / Veneer 4 / Chroma Wood / Flintwood				
	Top Only Eased Corners, Square Edge	Top Only Rectangular Top, Knife Edge	Top Only Eased Corners, Knife Edge	Top Only Rectangular Top, Square Edge	Modesty Only
30" d x 48" w	1305	1342	1429	1155	664
30" d x 54" w	1380	1422	1508	1228	710
30" d x 60" w	1455	1501	1589	1302	760
30" d x 66" w	1529	1581	1667	1376	806
30" d x 72" w	1604	1660	1748	1447	854

emote tables

navigate height-adjustable freestanding table base only (EMTB)



PRODUCT OPTIONS

Base Mechanism	Actual Depth	Actual Width	Base Finish	Switch
9M Extended Electric-Emote	30	48, 54, 60, 66, 72	P Paint C Chroma Metal	T Toggle Up/Down D Display with Up/Down Memory X Display Toggle with Memory and Navigate GPS

Switch Finish	Powerbar	Undersurface Cable Manager	Vertical Wire Carrier
X Anthracite 7 Platinum 6 Crisp Grey E Ebony Coordinate	N None I Cross Channel Integrated - 4 Outlets C Cross Channel Integrated - 3 Outlets	N None 1 Cable Organizer with Felt Cover 3 Dual Plastic Trays & Powerbar 4 Dual Plastic Trays	N None

PRICING

Dimensions	Foundation Base	Mica / Accent / Chroma Paint Base
30" d x 48" w	2112	2176
30" d x 54" w	2112	2176
30" d x 60" w	2112	2176
30" d x 66" w	2119	2183
30" d x 72" w	2119	2183

Switch Options:

- Display with Up/Down Memory, add 110
- Display Toggle with Memory & Navigate GPS, add 110

Power & Wire Management Options:

- Dual Plastic Trays, add 33
- Dual Plastic Trays & Powerbar, add 165
- Cable Organizer with Felt Cover, add 171
- Vertical Wire Carrier, add 193
- Cross Channel Integrated Powerbar - 4 Outlets, No Cable Management, add 144
- Cross Channel Integrated Powerbar - 4 Outlets, Cable Organizer with Felt Cover, add 314
- Cross Channel Integrated Powerbar - 4 Outlets, Dual Plastic Trays & Powerbar, add 310
- Cross Channel Integrated Powerbar - 4 Outlets, Dual Plastic Trays, add 180
- Cross Channel Integrated Powerbar - 3 Outlets & 1 IEC, No Cable Management, add 144
- Cross Channel Integrated Powerbar - 3 Outlets & 1 IEC, Cable Organizer with Felt Cover, add 314
- Cross Channel Integrated Powerbar - 3 Outlets & 1 IEC, Dual Plastic Trays add 180
- Cross Channel Integrated Powerbar - 3 Outlets & 1 IEC, Dual Plastic Trays & Powerbar with IEC, add 353

emote tables

table with wood legs [EMTF]



PRODUCT OPTIONS

Top Style	Modesty	Depth	Width	Worksurface Finish	Leg Finish	Modesty Finish
R Rectangular Top, Square Edge E Eased Corners, Square Edge K Rectangular Top, Knife Edge N Eased Corners, Knife Edge	N None M Modesty	24, 30	48, 54, 60, 66, 72	Flintwood Veneer Chroma Wood	Flintwood Veneer Chroma Wood	Flintwood Veneer Chroma Wood

PRICING

Dimensions	Rustic Oak / Veneer 2/3 / Veneer 4 / Chroma Wood / Flintwood				
	Rectangle Top, Square Edge	Rectangle Top, Knife Edge	Eased Corners, Square Edge	Eased Corners, Knife Edge	Modesty Option
24" d x 48" w	2856	3033	3003	3119	708
24" d x 54" w	2921	3101	3067	3189	760
24" d x 60" w	2986	3172	3134	3260	810
24" d x 66" w	3051	3242	3200	3330	860
24" d x 72" w	3116	3313	3268	3402	912
30" d x 48" w	3042	3233	3195	3322	708
30" d x 54" w	3117	3314	3272	3403	760
30" d x 60" w	3192	3396	3348	3485	810
30" d x 66" w	3268	3478	3426	3564	860
30" d x 72" w	3341	3559	3501	3646	912

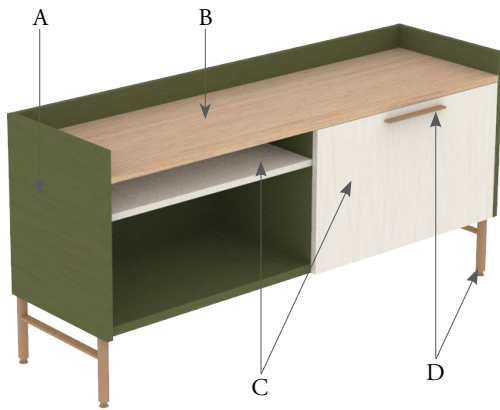
emote storage & towers

PRODUCT FEATURES

- Cabinets and towers are available in one size with multiple storage options
- Cabinets are finished on all sides
- The elevated Metal base elevated the cabinet by 7.7"
- Optional lockers available on all cabinets
- When the lock options is specified, cabinets with multiple locks will be keyed alike within the unit or overall office suite

FINISHES

Each individual Cabinet or Tower model is the same price regardless of the finish combination applied.



Four Areas for Application: A = Surround and Case Interior
B = Top
C = Door/Drawer Front and Shelves
D = Handles and Base

ABC Finishes: Rustic Oak
Veneer 2/3
Veneer 4
Chroma Wood
Flintwood

D Finishes: Chroma Metal Paint:
- Herbal
- Loden
- Atmosphere
- Blush

Metal Paints:
- Atrium White
- Anthracite
- Graphite
- Sepia Bronze
- Burnished Bronze
- Titanium Grey

emote storage & towers

mini cabinet on casters [EMMP]






PRODUCT OPTIONS

Storage Configuration	Width	Depth	Height	Case Finish
OP Open RC Single Door, Right Handedness LC Single Door, Left Handedness SD Small Drawer	15	16 16.69	22	Flintwood Veneer Chroma Wood

Top Finish	Front & Shelves Finish	Handle	Lock	Lock Finish
Flintwood Veneer Chroma Wood	Flintwood Veneer Chroma Wood	M Found Mica C Chroma Metal	N No Lock L Lock	E Ebony C Polished Chrome

PRICING

			
Dimensions	Open (OP)	Single Door (LC or RC)	Small Drawer (SD)
15"w x 16.69"d x 22"h	2117	2609	2823

Price is the same regardless of the finish combination

Lock option, add 112

emote storage & towers

mini cabinet with side access on casters (EMMS)






PRODUCT OPTIONS

Storage Configuration	Side Access	Width	Depth	Height
OP Open RC Single Door, Right Handedness LC Single Door, Left Handedness SD Small Drawer	L Left R Right	15	30	22

Case Finish	Front & Shelves Finish	Handle	Lock	Lock Finish
Flintwood Veneer Chroma Wood	Flintwood Veneer Chroma Wood	M Found Mica C Chroma Metal	N No Lock L Lock	E Ebony C Polished Chrome

PRICING

			
Dimensions	Open (OP)	Single Door (LC or RC)	Small Drawer (SD)
30" w x 15" d x 22" h Cubby depth is 15"	2799	3684	3872

Price is the same regardless of the finish combination.

Cubby always has a hinged door.

Lock option, add 112

emote storage & towers

low single cabinet (EMC1)



PRODUCT OPTIONS

Storage Configuration	Width	Case Finish	Top Finish	Front & Shelves Finish	Handle & Base	Lock	Lock Finish
OP Open CL Double Doors PD Partial Height Drawer FD Full Height Drawer	29	Flintwood Veneer Chroma Wood	Flintwood Veneer Chroma Wood	Flintwood Veneer Chroma Wood	M Found Mica C Chroma Metal	N No Lock L Lock	E Ebony C Polished Chrome

PRICING

Dimensions	Open (OP)	Partial Height Drawer (PD)	Full Height Drawer (FD)	Double Doors (CL)
29"w x 16.69"d x 27.7"h	2915	3699	3744	3758

Price is the same regardless of the finish combination.

Lock option, add 112

emote storage & towers

low double cabinet [EMC2]



PRODUCT OPTIONS

Left Storage	Right Storage	Width	Case Finish	Top Finish
OP Open CL Double Doors PD Partial Height Drawer FD Full Height Drawer	OP Open CL Double Doors PD Partial Height Drawer FD Full Height Drawer	57 57.28	Flintwood Veneer Chroma Wood	Flintwood Veneer Chroma Wood

Front & Shelves Finish	Handle & Base	Lock	Lock Finish
Flintwood Veneer Chroma Wood	M Found Mica C Chroma Metal	N No Lock L Lock	E Ebony C Polished Chrome

PRICING

Left and Right Storage options include:



Open (OP)



Partial Height Drawer (PD)



Full Height Drawer (FD)



Double Doors (CL)

Left / Right Storage	Price
OP/OP	4326
CL/CL	6011
PD/PD	5896
FD/FD	5982
OP/CL, CL/OP	5169
OP/PD, PD/OP	5110
OP/FD, FD/OP	5158
CL/PD, PD/CL	5952
CL/FD, FD/CL	5996
PD/FD, FD/PD	5939

Price is the same regardless of the finish combination.

Lock option, add 112 each

emote storage & towers

low triple cabinet (EMC3)



PRODUCT OPTIONS

Left Storage	Center Storage	Right Storage	Width	Case Finish
OP Open CL Double Doors PD Partial Height Drawer FD Full Height Drawer	OP Open CL Double Doors PD Partial Height Drawer FD Full Height Drawer	OP Open CL Double Doors PD Partial Height Drawer FD Full Height Drawer	85 85.55	Flintwood Veneer Chroma Wood

Top Finish	Front & Shelves Finish	Handle & Base	Lock	Lock Finish
Flintwood Veneer Chroma Wood	Flintwood Veneer Chroma Wood	M Found Mica C Chroma Metal	N No Lock L Lock	E Ebony C Polished Chrome

PRICING

Left, Center and Right Storage options include:



Open (OP)



Partial Height Drawer (PD)



Full Height Drawer (FD)



Double Doors (CL)

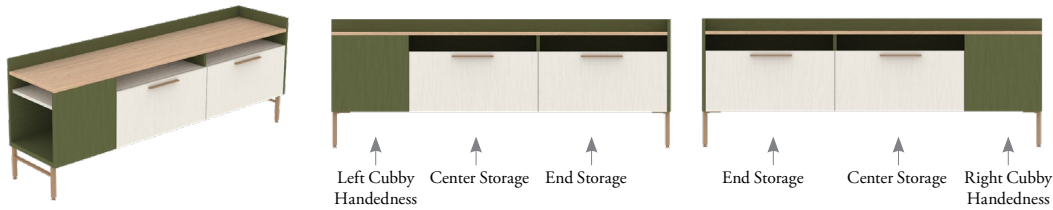
Left / Center / Right Storage	Price	Left / Center / Right Storage	Price	Left / Center / Right Storage	Price
OP/OP/OP	5550	OP/CL/CL, CL/OP/CL, CL/CL/OP	7232	FD/FD/CL, FD/CL/CL, CL/CL/OP	8048
CL/CL/CL	8075	OP/PD/PD, PD/OP/PD, PD/PD/OP	7117	FD/FD/PD, FD/PD/PD, PD/PD/PD	7991
PD/PD/PD	7902	OP/FD/FD, FD/OP/FD, FD/FD/OP	7204	OP/CL/PD, OP/PD/CL, CL/OP/PD, CL/PD/OP, PD/OP/CL, PD/CL/OP	7174
FD/FD/FD	8036	CL/CL/PD, CL/PD/CL, PD/CL/CL	8018	OP/CL/FD, OP/FD/CL, CL/OP/FD, CL/FD/OP, FD/OP/CL, FD/CL/OP	7221
OP/OP/CL, OP/CL/OP, CL/OP/OP	6391	CL/CL/FD, CL/FD/CL, FD/CL/CL	8061	OP/PD/FD, OP/FD/PD, PD/OP/FD, PD/FD/OP, FD/OP/PD, FD/PD/OP	7163
OP/OP/PD, OP/PD/OP, PD/OP/OP	6335	PD/PD/CL, PD/CL/PD, CL/PD/PD	7960	CL/PD/FD, CL/FD/PD, PD/CL/FD, PD/FD/CL, FD/CL/PD, FD/PD/CL	8005
OP/OP/FD, OP/FD/OP, FD/OP/OP	6377	PD/PD/FD, PD/FD/PD, FD/PD/PD	7946		

Price is the same regardless of the finish combination.

Lock option, add 112 each

emote storage & towers

low double cabinet with cubby (EMCC)



PRODUCT OPTIONS

End Storage	Center Storage	Width	Cubby Hand	Case Finish
OP Open CL Double Doors PD Partial Height Drawer FD Full Height Drawer	OP Open CL Double Doors PD Partial Height Drawer FD Full Height Drawer	73 73.25	L Left R Right	Flintwood Veneer Chroma Wood

Top Finish	Front & Shelves Finish	Handle & Base	Lock	Lock Finish
Flintwood Veneer Chroma Wood	Flintwood Veneer Chroma Wood	M Found Mica C Chroma Metal	N No Lock L Lock	E Ebony C Polished Chrome

The cubby is always open on the end.

PRICING

Center and End Storage options include:



Open (OP)



Partial Height Drawer (PD)



Full Height Drawer (FD)



Double Doors (CL)

Select End Storage, followed by Center Storage (End Storage will be opposite of the Cubby Handedness)	Price
OP/OP	5241
CL/CL	6923
PD/PD	6808
FD/FD	6895
OP/CL, CL/OP	6083
OP/PD, PD/OP	6024
OP/FD, FD/OP	6069
CL/PD, PD/CL	6865
CL/FD, FD/CL	6908
PD/FD, FD/PD	6853

Price is the same regardless of the finish combination.

Lock option, add 112 each

emote storage & towers

work cabinet (EMCW)



The worksurface includes a grip on the underside and pulls out to provide a standing height surface and access to power.

PRODUCT OPTIONS

Storage Configuration	Width	Height	Case Finish	Worksurface Finish
OP Open CL Double Doors PD Partial Height Drawer FD Full Height Drawer	73 73.25	45	Flintwood Veneer Chroma Wood	Flintwood Veneer Chroma Wood

Front & Shelves Finish	Handle & Base	Lock	Lock Finish
Flintwood Veneer Chroma Wood	M Found Mica C Chroma Metal	N No Lock L Lock	E Ebony C Polished Chrome

Includes a grommet cut out in the back, a wire manager and can have an optional integrated power module.

PRICING

Open (OP)	Partial Height Drawer (PD)	Full Height Drawer (FD)	Double Drawer (DD)	Lower Closed (LC)
4511	5295	5666	6078	5680

Price is the same regardless of the finish combination.

Integrated Power with 2 Power & USB, add 720

Lock option, add 112

emote storage & towers

medium single cabinet (EMCM)



PRODUCT OPTIONS

Storage Configuration	Width	Height	Case Finish	Worksurface Finish
OP Open CL Double Doors PD Partial Height Drawer FD Full Height Drawer LC Lower Closed DC Drawer/Double Doors Combo DD Double Drawers	29	45	Flintwood Veneer Chroma Wood	Flintwood Veneer Chroma Wood

Front & Shelves Finish	Handle & Base	Lock	Lock Finish
Flintwood Veneer Chroma Wood	M Found Mica C Chroma Metal	N No Lock L Lock	E Ebony C Polished Chrome

PRICING

Open (OP)	Double Doors (CL)	Partial Height Drawer (PD)	Full Height Drawer (FD)	Double Drawer (DD)	Lower Closed (LC)	Drawer / Double Doors Combo (DC)
3856	4944	4641	5023	5424	5038	5865

Price is the same regardless of the finish combination.

Lock option, add 112

emote storage & towers

high single cabinet (EMCH)



PRODUCT OPTIONS

Storage Configuration	Width	Height	Case Finish	Top Finish
OP Open CL Double Doors PD Partial Height Drawer FD Full Height Drawer DC Drawer/Double Doors Combo DD Double Drawers	29	62 62.3	Flintwood Veneer Chroma Wood	Flintwood Veneer Chroma Wood

Front & Shelves Finish	Handle & Base	Lock	Lock Finish
Flintwood Veneer Chroma Wood	M Found Mica C Chroma Metal	N No Lock L Lock	E Ebony C Polished Chrome

To increase stability, the cabinet should be anchored to a wall or an adjacent storage unit

- Load capacity of single drawer configurations is 25 lbs

PRICING

Open (OP)	Fully Closed (CF)	Drawer / Double Doors (DC)	Full Height Drawer (FD)	Double Drawer (DD)	Partial Height Drawer (PD)
4733	6116	6628	5927	6299	5515

Price is the same regardless of the finish combination.

Lock option, add 112

To increase stability, High Cabinets and Towers should be anchored to the wall or adjacent storage.

Load capacity of single drawer models within for High Cabinets and Towers is 25 lbs.

emote storage & towers

single tower (EMT1)



PRODUCT OPTIONS

Storage Configuration	Width	Height	Handedness	Case Finish
OP Open CT Coatt FC Closed Full LD Lower Drawer DC Lower Drawer/Closed Upper DD Double Drawers	15	62 62.3	L Left R Right	Flintwood Veneer Chroma Wood

Top Finish	Front & Shelves Finish	Handle & Base	Lock	Lock Finish
Flintwood Veneer Chroma Wood	Flintwood Veneer Chroma Wood	M Found Mica C Chroma Metal	N No Lock L Lock	E Ebony C Polished Chrome

Single door towers are handed, the handedness is determined by the location of the hinge from the users perspective

- To increase stability, the tower should be anchored to a wall or an adjacent storage unit
- Load capacity of single drawer configurations is 25 lbs

PRICING

Open (OP)	Coat (CT)	Closed Full (FC)	Lower Drawer (LD)	Lower Drawer / Closed Upper (DC)
3916	4142	4609	4866	5446

Price is the same regardless of the finish combination.

Lock option, add 112

To increase stability, High Cabinets and Towers should be anchored to the wall or adjacent storage.

Load capacity of single drawer models within for High Cabinets and Towers is 25 lbs.

emote storage & towers

triple tower (EMT3)



PRODUCT OPTIONS

Storage Configuration	Width	Height	Coat Handedness	Case Finish	Top Finish	Front & Shelves Finish	Handle & Base	Lock	Lock Finish
OP Open FC Closed Full LD Lower Drawers LC Lower Closed DC Lower Drawer / Closed Upper Combo CD Coat / Drawers Combo CC Coat / Full Closed Combo CW Coat / Lower Closed Combo CO Coat / Open Combo CA Coat / Lower Drawers / Upper Closed	43 43.55	62 62.3	L Left R Right	Flintwood Veneer Chroma Wood	Flintwood Veneer Chroma Wood	Flintwood Veneer Chroma Wood	M Found Mica C Chroma Metal	N No Lock L Lock	E Ebony C Polished Chrome

The coat section is handed, the handedness is determined by the location of the hinge from the users perspective.

To increase stability, the tower should be to a wall or an adjacent storage unit

- The load capacity of single drawer configurations is 25 lbs

PRICING

Open (OP)	Closed Full (FC)	Lower Closed (LC)	Lower Drawer (LD)	Lower Drawer / Closed Upper (DC)
7218	8918	9030	9724	11455

Coat / Full Closed (CC)	Coat / Drawers (CD)	Coat / Open (CO)	Coat / Lower Closed (CW)	Coat / Lower Drawer / Upper Closed (CA)
8601	9228	7534	8766	10382

Price is the same regardless of the finish combination.

Lock option, add 112 each

emote shelves

desktop shelf (EMDS)



PRODUCT FEATURES

- Desktop Shelves can be placed on a worksurface or cabinet to provide an additional surface
- The metal legs are inset:
 - 5" inset on 24"-36" wide shelves
 - 10" inset on 42"-60" wide shelves

PRODUCT OPTIONS

Width	Shelf Finish	Back Accent Finish	Leg Metal Finish
24, 30, 36, 42, 48, 54, 60	Flintwood Veneer Chroma Wood	P Paint C Chroma Metal	P Paint C Chroma Metal

PRICING

Width	Price
24"	989
30"	1094
36"	1197
42"	1303
48"	1438
54"	1542
60"	1645

Price is the same regardless of the finish combination.

emote thought boards

emote wall shelf with thought board [EMWS]



PRODUCT FEATURES

- Wall Shelves and Thought Boards mount to the wall to provide functionality
- Mount to the wall with J-channel wall cleats which are included with each unit
- Additional Cleats (EMWA) can be ordered separately for mounting multiple Thought Boards side by side at the same height

PRODUCT OPTIONS

Height	Width	Top Accent Finish	Metal Shelf Finish
14 14.5 29 29	29, 36, 42, 48	Fabric Flintwood Veneer Chroma Wood Backpainted Glass Top	P Paint C Chroma Metal

The 29" height wall shelf is only available 29" width.

PRICING

Dimensions	Rustic Oak / Veneer 2/3 / Veneer 4 Top / Chroma / Flintwood	Tackable, Gr.A Top	Tackable, COM / Gr.2 Top	Tackable, Gr.1 Top	Tackable, Gr.3 Top	Backpainted Glass Top
14.5" h x 29" w	876	707	738	724	762	1002
14.5" h x 36" w	971	748	781	766	803	1076
14.5" h x 42" w	1067	799	830	817	854	1200
14.5" h x 48" w	1145	833	864	851	888	1305
29" h x 29" w	1138	766	797	781	821	1356

emote thought boards

thought board, magnetic wood (EMWW)



PRODUCT OPTIONS

Height	Width	Top Accent Finish
14 14.5 29 29	14 14.5 29 29 36 36 42 42 48 48	Flintwood Veneer Chroma Wood

The 29" height wall shelf is only available 29" width.

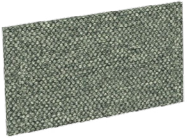
PRICING

Dimensions	Price
14.5"h x 14.5"w	643
14.5"h x 29"w	834
14.5"h x 36"w	924
14.5"h x 42"w	1014
14.5"h x 48"w	1087
29"h x 14.5"w	789
29"h x 29"h	1098

Price is the same regardless of the finish combination.

emote thought boards

thought board, tackable (EMWT)



PRODUCT OPTIONS

Height	Width	Finish
14 14.5 29 29	14 14.5 29 29 36 36 42 42 48 48	Fabric

The 29" height is only available on the 14.5" and 29" wide board.

PRICING

Dimensions	Grade A	Grade 1	COM / Grade 2	Grade 3
14.5"h x 14.5"w	580	595	611	635
14.5"h x 29"w	666	681	698	721
14.5"h x 36"w	702	718	734	758
14.5"h x 42"w	747	764	778	801
14.5"h x 48"w	775	792	806	829
29"h x 14.5"w	618	635	649	673
29"h x 29"h	725	739	756	778

emote thought boards

thought board, magnetic glass (EMWG)



PRODUCT OPTIONS

Height	Width	Finish
14 14.5 29 29	14 14.5 29 29 36 36 42 42 48 48	K7 Very White K1 Storm White J6 Gris K8 Graphic Steel

The 29" height is only available with 14.5" and 29" widths.
Backpainted glass is a writable surface (dry erase marker to be used).
All wall mounting hardware are included.

PRICING

Dimensions	Price
14.5"h x 14.5"w	678
14.5"h x 29"w	959
14.5"h x 36"w	1031
14.5"h x 42"w	1148
14.5"h x 48"w	1248
29"h x 14.5"w	913
29"h x 29"w	1315

Price point is the same regardless of the finish.

emote thought boards

thought board, additional wall cleat (EMWA)



PRODUCT OPTIONS

Width
29, 36, 42, 48, 54, 60, 66, 72, 78, 84, 90

The 29" height is only available with 14.5" and 29" widths.
Backpainted glass is a writable surface (dry erase marker to be used).
All wall mounting hardware are included.

PRICING

Width	Price
29"	212
36"	223
42"	236
48"	247
54"	263
60"	274
66"	315
72"	330
78"	342
84"	387
90"	398

emote accessories

emote organizers (EMOM)



PRODUCT FEATURES

- Emote accessories provide functionality to a workspace
 - All trays include a natural cork liner and some include a cork organizer

PRODUCT OPTIONS

Organizer Type	Tray Finish	Divider Finish
LT Large Tray Bundle MT Medium Tray Bundle ST Small Tray Bundle CT Mini Cabinet Bundle M2 Two Medium Trays CO Cork Organizer	P Paint C Chroma Metal	P Paint C Chroma Metal

The Cork Organizer is not available on the Two Medium Trays (M2).

The Mini Cabinet Bundle includes a Medium and Small Tray Bundle and one Cork Organizer.

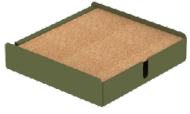
PRICING

Large Tray Bundle (LT)	Medium Tray Bundle (MT)	Small Tray Bundle (ST)	Mini Cabinet Bundle (CT)	Two Medium Trays (M2)	Cork Organizer (CO)
133	130	112	189	130	53

Price point is the same regardless of the finish.

emote accessories

emote power tray (EMPW)



PRODUCT OPTIONS

Tray Finish
P Paint
C Chroma Metal

PRICING

Price
434

teknion

www.teknion.com

CAN/US/INT 01-27
©Teknion 2025

®, ™ trade marks of Teknion Corporation
and/or its subsidiaries or licensed to it.
Patents may be pending.

Some products may not be available in
all markets. Contact your local Teknion
Representative for availability.

JAN25-EMOTE