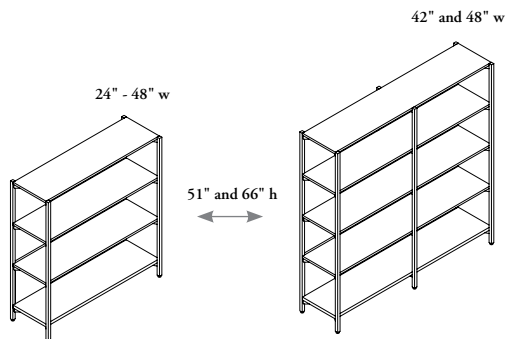


OBSB Systems Bookcase



The Systems Bookcase is metal-framed and features wooden shelving and a distinctive 6" elevated base for structural and aesthetic excellence.

WHAT'S INCLUDED

1 bookcase with wood back.

NOTES

Shelf Thickness:
 - Top Shelf: 11/16", inset shelf
 - Bottom Shelf: 1"
 - Mid Shelves and Back: 11/16"

Depth: 16".

There is always a mid leg for the width from 54" to 72".

The Fabric Tiles (ODFT) and Fabric Corner Divider (ODCD) are optional and need to be specified separately.

PRODUCT OPTIONS

Height	Width	Back Configuration	Divider Configuration	Back & Shelves Finish	Frame Finish	Fabric Divider Finish
51, 66	24, 30, 36, 42, 48, 54, 60, 66, 72	S One High Back D Two High Back	O Open C Two Pieces Fabric Corner Divider S One High Fabric Tile D Two High Fabric Tile	Foundation Laminate Grade 2 Laminate Flintwood Natural Veneer	Foundation Mica Accent	Panel Fabrics Upholstery Fabrics

SAMPLE ORDER CODE

OBSB 51	48	S	O	2G	51	E523
----------------	-----------	----------	----------	-----------	-----------	-------------

DIMENSIONS CODE / INCHES FOR MM X BY 25.4

H	W
51 / 1295	24 / 610
51 / 1295	30 / 762
51 / 1295	36 / 914
51 / 1295	42 / 1067
51 / 1295	48 / 1219
51 / 1295	54 / 1372
51 / 1295	60 / 1524
51 / 1295	66 / 1676
51 / 1295	72 / 1829
66 / 1676	24 / 610
66 / 1676	30 / 762
66 / 1676	36 / 914
66 / 1676	42 / 1067
66 / 1676	48 / 1219
66 / 1676	54 / 1372
66 / 1676	60 / 1524
66 / 1676	66 / 1676
66 / 1676	72 / 1829

PRICING

ONE HIGH BACK (S)				
OPEN (O)				
Foundation Laminate	Grade 2 Laminate	Flintwood	Veneer	
2977	3668	3191	3250	
3231	4192	3418	3482	
3358	4347	3645	3714	
3587	4932	3918	3993	
3651	5003	4117	4205	
4642	6528	4892	4988	
4745	6631	5131	5232	
4841	6812	5419	5525	
4983	6969	5697	5816	
3523	4323	3770	3846	
3824	4958	4038	4118	
3959	5129	4301	4387	
4236	5811	4630	4720	
4315	5898	4867	4968	
5473	7696	5766	5883	
5591	7822	6056	6171	
5695	8010	6388	6514	
5869	8199	6727	6858	

For all upcharges, see end of pricing

Pricing is continued on the following page.



Systems Bookcase (Continued)

DIMENSIONS CODE / INCHES FOR MM X BY 25.4

H	W
51 / 1295	30 / 762
51 / 1295	36 / 914
51 / 1295	42 / 1067
51 / 1295	48 / 1219
51 / 1295	54 / 1372
51 / 1295	60 / 1524
51 / 1295	66 / 1676
51 / 1295	72 / 1829
66 / 1676	30 / 762
66 / 1676	36 / 914
66 / 1676	42 / 1067
66 / 1676	48 / 1219
66 / 1676	54 / 1372
66 / 1676	60 / 1524
66 / 1676	66 / 1676
66 / 1676	72 / 1829

PRICING

ONE HIGH BACK (S)			
TWO PIECES FABRIC CORNER DIVIDER (C)			
Foundation Laminate	Grade 2 Laminate	Flintwood	Veneer
3231	4192	3418	3482
3358	4347	3645	3714
3587	4932	3918	3993
3651	5003	4117	4205
4642	6528	4892	4988
4745	6631	5131	5232
4841	6812	5419	5525
4983	6969	5697	5816
3824	4958	4038	4118
3959	5129	4301	4387
4236	5811	4630	4720
4315	5898	4867	4968
5473	7696	5766	5883
5591	7822	6056	6171
5695	8010	6388	6514
5869	8199	6727	6858

The following Fabric Divider fabrics are available and added to the base price shown above.

PANEL FABRIC		UPHOLSTERY FABRIC														
COM/	Gr. 1	Gr. 2	Gr. 3	Gr. 4	Gr. 5	COM	Gr. 1	Gr. 2	Gr. 3	Gr. 4	Gr. 5	Gr. 6	Gr. 7	Gr. 8	Gr. 9	Gr. 10
483	491	502	539	566	593	486	516	549	564	585	615	633	651	688	726	742
483	491	502	539	566	593	486	516	549	564	585	615	633	651	688	726	742
483	491	502	539	566	593	486	516	549	564	585	615	633	651	688	726	742
483	491	502	539	566	593	486	516	549	564	585	615	633	651	688	726	742
483	491	502	539	566	593	486	516	549	564	585	615	633	651	688	726	742
483	491	502	539	566	593	486	516	549	564	585	615	633	651	688	726	742
483	491	502	539	566	593	486	516	549	564	585	615	633	651	688	726	742
483	491	502	539	566	593	486	516	549	564	585	615	633	651	688	726	742
483	491	502	539	566	593	486	516	549	564	585	615	633	651	688	726	742
483	491	502	539	566	593	486	516	549	564	585	615	633	651	688	726	742
483	491	502	539	566	593	486	516	549	564	585	615	633	651	688	726	742
483	491	502	539	566	593	486	516	549	564	585	615	633	651	688	726	742
483	491	502	539	566	593	486	516	549	564	585	615	633	651	688	726	742
483	491	502	539	566	593	486	516	549	564	585	615	633	651	688	726	742
483	491	502	539	566	593	486	516	549	564	585	615	633	651	688	726	742
483	491	502	539	566	593	486	516	549	564	585	615	633	651	688	726	742

For all upcharges, see end of pricing

Pricing is continued on the following page.

Systems Bookcase (Continued)

DIMENSIONS
CODE / INCHES
FOR MM X BY 25.4

H	W
51 / 1295	24 / 610
51 / 1295	30 / 762
51 / 1295	36 / 914
51 / 1295	42 / 1067
51 / 1295	48 / 1219
51 / 1295	54 / 1372
51 / 1295	60 / 1524
51 / 1295	66 / 1676
51 / 1295	72 / 1829
66 / 1676	24 / 610
66 / 1676	30 / 762
66 / 1676	36 / 914
66 / 1676	42 / 1067
66 / 1676	48 / 1219
66 / 1676	54 / 1372
66 / 1676	60 / 1524
66 / 1676	66 / 1676
66 / 1676	72 / 1829

PRICING

ONE HIGH BACK (S)				
ONE HIGH FABRIC TILE (S)				
Foundation Laminate	Grade 2 Laminate	Flintwood	Veneer	
2977	3668	3191	3250	
3231	4192	3418	3482	
3358	4347	3645	3714	
3587	4932	3918	3993	
3651	5003	4117	4205	
4642	6528	4892	4988	
4745	6631	5131	5232	
4841	6812	5419	5525	
4983	6969	5697	5816	
3523	4323	3770	3846	
3824	4958	4038	4118	
3959	5129	4301	4387	
4315	5898	4867	4968	
4236	5811	4630	4720	
5473	7696	5766	5883	
5591	7822	6056	6171	
5695	8010	6388	6514	
5869	8199	6727	6858	

The following Fabric Divider fabrics are available and added to the base price shown above.

PANEL FABRIC		UPHOLSTERY FABRIC																
COM/		COM																
H	W	Gr. A	Gr. 1	Gr. 2	Gr. 3	Gr. 4	Gr. 5	Gr. 1	Gr. 2	Gr. 3	Gr. 4	Gr. 5	Gr. 6	Gr. 7	Gr. 8	Gr. 9	Gr. 10	
51 / 1295	24 / 610	282	286	293	315	330	346	348	370	393	404	419	440	453	466	493	520	531
51 / 1295	30 / 762	311	317	324	348	365	382	385	409	435	446	463	487	501	516	545	575	587
51 / 1295	36 / 914	362	368	377	405	425	445	447	476	506	519	539	566	583	600	634	669	683
51 / 1295	42 / 1067	381	388	396	426	447	468	471	501	532	546	567	596	613	631	667	703	719
51 / 1295	48 / 1219	441	448	458	492	517	541	544	579	615	632	655	689	709	730	771	813	831
51 / 1295	54 / 1372	638	649	663	713	748	783	788	837	890	914	948	997	1026	1056	1116	1177	1203
51 / 1295	60 / 1524	661	672	687	739	775	812	816	868	923	948	983	1033	1064	1095	1157	1220	1247
51 / 1295	66 / 1676	726	738	755	811	851	891	897	953	1014	1041	1079	1135	1168	1203	1271	1340	1370
51 / 1295	72 / 1829	763	776	794	853	895	937	943	1002	1066	1094	1135	1193	1228	1264	1336	1409	1440
66 / 1676	24 / 610	282	286	293	315	330	346	348	370	393	404	419	440	453	466	493	520	531
66 / 1676	30 / 762	311	317	324	348	365	382	385	409	435	446	463	487	501	516	545	575	587
66 / 1676	36 / 914	362	368	377	405	425	445	447	476	506	519	539	566	583	600	634	669	683
66 / 1676	42 / 1067	441	448	458	492	517	541	544	579	615	632	655	689	709	730	771	813	831
66 / 1676	48 / 1219	381	388	396	426	447	468	471	501	532	546	567	596	613	631	667	703	719
66 / 1676	54 / 1372	638	649	663	713	748	783	788	837	890	914	948	997	1026	1056	1116	1177	1203
66 / 1676	60 / 1524	661	672	687	739	775	812	816	868	923	948	983	1033	1064	1095	1157	1220	1247
66 / 1676	66 / 1676	726	738	755	811	851	891	897	953	1014	1041	1079	1135	1168	1203	1271	1340	1370
66 / 1676	72 / 1829	763	776	794	853	895	937	943	1002	1066	1094	1135	1193	1228	1264	1336	1409	1440

For all upcharges, see end of pricing

Pricing is continued on the following page.



Systems Bookcase (Continued)

**DIMENSIONS
CODE / INCHES
FOR MM X BY 25.4**

H	W
51 / 1295	24 / 610
51 / 1295	30 / 762
51 / 1295	36 / 914
51 / 1295	42 / 1067
51 / 1295	48 / 1219
51 / 1295	54 / 1372
51 / 1295	60 / 1524
51 / 1295	66 / 1676
51 / 1295	72 / 1829
66 / 1676	24 / 610
66 / 1676	30 / 762
66 / 1676	36 / 914
66 / 1676	42 / 1067
66 / 1676	48 / 1219
66 / 1676	54 / 1372
66 / 1676	60 / 1524
66 / 1676	66 / 1676
66 / 1676	72 / 1829

PRICING

ONE HIGH BACK (S)				
TWO HIGH FABRIC TILE (D)				
Foundation Laminate	Grade 2 Laminate	Flintwood	Veneer	
2977	3668	3191	3250	
3231	4192	3418	3482	
3358	4347	3645	3714	
3587	4932	3918	3993	
3651	5003	4117	4205	
4642	6528	4892	4988	
4745	6631	5131	5232	
4841	6812	5419	5525	
4983	6969	5697	5816	
3523	4323	3770	3846	
3824	4958	4038	4118	
3959	5129	4301	4387	
4236	5811	4630	4720	
4315	5898	4867	4968	
5473	7696	5766	5883	
5591	7822	6056	6171	
5695	8010	6388	6514	
5869	8199	6727	6858	

The following Fabric Divider fabrics are available and added to the base price shown above.

PANEL FABRIC		UPHOLSTERY FABRIC																
COM/		COM																
Gr. A	Gr. 1	Gr. 2	Gr. 3	Gr. 4	Gr. 5	COM	Gr. 1	Gr. 2	Gr. 3	Gr. 4	Gr. 5	Gr. 6	Gr. 7	Gr. 8	Gr. 9	Gr. 10		
51 / 1295	24 / 610	447	455	465	499	524	549	552	587	624	641	664	699	719	740	782	825	843
51 / 1295	30 / 762	456	464	474	509	534	560	563	599	637	653	678	713	734	755	798	841	860
51 / 1295	36 / 914	602	612	626	673	706	739	743	790	840	863	895	941	969	997	1054	1111	1135
51 / 1295	42 / 1067	634	645	659	709	743	779	783	833	886	909	943	992	1021	1051	1110	1171	1196
51 / 1295	48 / 1219	677	688	704	756	793	831	836	889	945	970	1006	1058	1089	1121	1185	1249	1277
51 / 1295	54 / 1372	869	883	903	970	1018	1066	1072	1140	1212	1245	1291	1358	1397	1438	1520	1602	1638
51 / 1295	60 / 1524	979	995	1018	1094	1147	1202	1209	1285	1367	1403	1455	1530	1575	1621	1713	1806	1846
51 / 1295	66 / 1676	1212	1233	1260	1354	1421	1488	1497	1591	1692	1737	1802	1895	1950	2008	2122	2237	2286
51 / 1295	72 / 1829	1272	1293	1322	1421	1490	1561	1570	1669	1775	1822	1890	1987	2045	2106	2225	2346	2398
66 / 1676	24 / 610	447	455	465	499	524	549	552	587	624	641	664	699	719	740	782	825	843
66 / 1676	30 / 762	456	464	474	509	534	560	563	599	637	653	678	713	734	755	798	841	860
66 / 1676	36 / 914	602	612	626	673	706	739	743	790	840	863	895	941	969	997	1054	1111	1135
66 / 1676	42 / 1067	634	645	659	709	743	779	783	833	886	909	943	992	1021	1051	1110	1171	1196
66 / 1676	48 / 1219	677	688	704	756	793	831	836	889	945	970	1006	1058	1089	1121	1185	1249	1277
66 / 1676	54 / 1372	869	883	903	970	1018	1066	1072	1140	1212	1245	1291	1358	1397	1438	1520	1602	1638
66 / 1676	60 / 1524	979	995	1018	1094	1147	1202	1209	1285	1367	1403	1455	1530	1575	1621	1713	1806	1846
66 / 1676	66 / 1676	1212	1233	1260	1354	1421	1488	1497	1591	1692	1737	1802	1895	1950	2008	2122	2237	2286
66 / 1676	72 / 1829	1272	1293	1322	1421	1490	1561	1570	1669	1775	1822	1890	1987	2045	2106	2225	2346	2398

For all upcharges, see end of pricing

Pricing is continued on the following page.

OBSB 

Systems Bookcase (Continued)

**DIMENSIONS
CODE / INCHES
FOR MM X BY 25.4**

H	W
51 / 1295	24 / 610
51 / 1295	30 / 762
51 / 1295	36 / 914
51 / 1295	42 / 1067
51 / 1295	48 / 1219
51 / 1295	54 / 1372
51 / 1295	60 / 1524
51 / 1295	66 / 1676
51 / 1295	72 / 1829
66 / 1676	24 / 610
66 / 1676	30 / 762
66 / 1676	36 / 914
66 / 1676	42 / 1067
66 / 1676	48 / 1219
66 / 1676	54 / 1372
66 / 1676	60 / 1524
66 / 1676	66 / 1676
66 / 1676	72 / 1829

PRICING

TWO HIGH BACK (D)			
OPEN (O)			
Foundation Laminate	Grade 2 Laminate	Flintwood	Veneer
3159	4150	3332	3432
3470	4771	3616	3727
3662	5074	3879	3996
3932	5888	4201	4337
3996	5959	4430	4571
5112	7686	5222	5399
5215	7796	5533	5730
5457	8266	5866	6067
5607	8424	6175	6395
3705	4805	3911	4027
4063	5537	4236	4363
4263	5855	4536	4668
4581	6767	4913	5064
4660	6853	5179	5334
5942	8853	6096	6294
6061	8987	6459	6669
6311	9464	6836	7056
6493	9654	7205	7437

For all upcharges, see end of pricing

Pricing is continued on the following page.



Systems Bookcase (Continued)

**DIMENSIONS
CODE / INCHES
FOR MM X BY 25.4**

H	W
51 / 1295	30 / 762
51 / 1295	36 / 914
51 / 1295	42 / 1067
51 / 1295	48 / 1219
51 / 1295	54 / 1372
51 / 1295	60 / 1524
51 / 1295	66 / 1676
51 / 1295	72 / 1829
66 / 1676	30 / 762
66 / 1676	36 / 914
66 / 1676	42 / 1067
66 / 1676	48 / 1219
66 / 1676	54 / 1372
66 / 1676	60 / 1524
66 / 1676	66 / 1676
66 / 1676	72 / 1829

PRICING

TWO HIGH BACK (D)			
TWO PIECES FABRIC CORNER DIVIDER (C)			
Foundation Laminate	Grade 2 Laminate	Flintwood	Veneer
3470	4771	3616	3727
3662	5074	3879	3996
3932	5888	4201	4337
3996	5959	4430	4571
5112	7686	5222	5399
5215	7796	5533	5730
5457	8266	5866	6067
5607	8424	6175	6395
4063	5537	4236	4363
4263	5855	4536	4668
4581	6767	4913	5064
4660	6853	5179	5334
5942	8853	6096	6294
6061	8987	6459	6669
6311	9464	6836	7056
6493	9654	7205	7437

The following Fabric Divider fabrics are available and added to the base price shown above.

PANEL FABRIC		UPHOLSTERY FABRIC																									
COM/	Gr. A	Gr. 1	Gr. 2	Gr. 3	Gr. 4	Gr. 5	COM	Gr. 1	Gr. 2	Gr. 3	Gr. 4	Gr. 5	Gr. 6	Gr. 7	Gr. 8	Gr. 9	Gr. 10										
483	491	502	539	566	593	486	516	549	564	585	615	633	651	688	726	742	486	516	549	564	585	615	633	651	688	726	742
483	491	502	539	566	593	486	516	549	564	585	615	633	651	688	726	742	486	516	549	564	585	615	633	651	688	726	742
483	491	502	539	566	593	486	516	549	564	585	615	633	651	688	726	742	486	516	549	564	585	615	633	651	688	726	742
483	491	502	539	566	593	486	516	549	564	585	615	633	651	688	726	742	486	516	549	564	585	615	633	651	688	726	742
483	491	502	539	566	593	486	516	549	564	585	615	633	651	688	726	742	486	516	549	564	585	615	633	651	688	726	742
483	491	502	539	566	593	486	516	549	564	585	615	633	651	688	726	742	486	516	549	564	585	615	633	651	688	726	742
483	491	502	539	566	593	486	516	549	564	585	615	633	651	688	726	742	486	516	549	564	585	615	633	651	688	726	742
483	491	502	539	566	593	486	516	549	564	585	615	633	651	688	726	742	486	516	549	564	585	615	633	651	688	726	742
483	491	502	539	566	593	486	516	549	564	585	615	633	651	688	726	742	486	516	549	564	585	615	633	651	688	726	742
483	491	502	539	566	593	486	516	549	564	585	615	633	651	688	726	742	486	516	549	564	585	615	633	651	688	726	742
483	491	502	539	566	593	486	516	549	564	585	615	633	651	688	726	742	486	516	549	564	585	615	633	651	688	726	742
483	491	502	539	566	593	486	516	549	564	585	615	633	651	688	726	742	486	516	549	564	585	615	633	651	688	726	742
483	491	502	539	566	593	486	516	549	564	585	615	633	651	688	726	742	486	516	549	564	585	615	633	651	688	726	742

For all upcharges, see end of pricing

Pricing is continued on the following page.

Systems Bookcase (Continued)

DIMENSIONS
CODE / INCHES
FOR MM X BY 25.4

H	W
51 / 1295	24 / 610
51 / 1295	30 / 762
51 / 1295	36 / 914
51 / 1295	42 / 1067
51 / 1295	48 / 1219
51 / 1295	54 / 1372
51 / 1295	60 / 1524
51 / 1295	66 / 1676
51 / 1295	72 / 1829
66 / 1676	24 / 610
66 / 1676	30 / 762
66 / 1676	36 / 914
66 / 1676	42 / 1067
66 / 1676	48 / 1219
66 / 1676	54 / 1372
66 / 1676	60 / 1524
66 / 1676	66 / 1676
66 / 1676	72 / 1829

PRICING

TWO HIGH BACK (D)				
ONE HIGH FABRIC TILE (S)				
Foundation Laminate	Grade 2 Laminate	Flintwood	Veneer	
3159	4150	3332	3432	
3470	4771	3616	3727	
3662	5074	3879	3996	
3932	5888	4201	4337	
3996	5959	4430	4571	
5112	7686	5222	5399	
5215	7796	5533	5730	
5457	8266	5866	6067	
5607	8424	6175	6395	
3705	4805	3911	4027	
4063	5537	4236	4363	
4263	5855	4536	4668	
4581	6767	4913	5064	
4660	6853	5179	5334	
5942	8853	6096	6294	
6061	8987	6459	6669	
6311	9464	6836	7056	
6493	9654	7205	7437	

The following Fabric Divider fabrics are available and added to the base price shown above.

PANEL FABRIC		UPHOLSTERY FABRIC																
COM/		COM																
Gr. A	Gr. 1	Gr. 2	Gr. 3	Gr. 4	Gr. 5	COM	Gr. 1	Gr. 2	Gr. 3	Gr. 4	Gr. 5	Gr. 6	Gr. 7	Gr. 8	Gr. 9	Gr. 10		
51 / 1295	24 / 610	282	286	293	315	330	346	348	370	393	404	419	440	453	466	493	520	531
51 / 1295	30 / 762	311	317	324	348	365	382	385	409	435	446	463	487	501	516	545	575	587
51 / 1295	36 / 914	362	368	377	405	425	445	447	476	506	519	539	566	583	600	634	669	683
51 / 1295	42 / 1067	381	388	396	426	447	468	471	501	532	546	567	596	613	631	667	703	719
51 / 1295	48 / 1219	441	448	458	492	517	541	544	579	615	632	655	689	709	730	771	813	831
51 / 1295	54 / 1372	638	649	663	713	748	783	788	837	890	914	948	997	1026	1056	1116	1177	1203
51 / 1295	60 / 1524	661	672	687	739	775	812	816	868	923	948	983	1033	1064	1095	1157	1220	1247
51 / 1295	66 / 1676	726	738	755	811	851	891	897	953	1014	1041	1079	1135	1168	1203	1271	1340	1370
51 / 1295	72 / 1829	763	776	794	853	895	937	943	1002	1066	1094	1135	1193	1228	1264	1336	1409	1440
66 / 1676	24 / 610	282	286	293	315	330	346	348	370	393	404	419	440	453	466	493	520	531
66 / 1676	30 / 762	311	317	324	348	365	382	385	409	435	446	463	487	501	516	545	575	587
66 / 1676	36 / 914	362	368	377	405	425	445	447	476	506	519	539	566	583	600	634	669	683
66 / 1676	42 / 1067	381	388	396	426	447	468	471	501	532	546	567	596	613	631	667	703	719
66 / 1676	48 / 1219	441	448	458	492	517	541	544	579	615	632	655	689	709	730	771	813	831
66 / 1676	54 / 1372	638	649	663	713	748	783	788	837	890	914	948	997	1026	1056	1116	1177	1203
66 / 1676	60 / 1524	661	672	687	739	775	812	816	868	923	948	983	1033	1064	1095	1157	1220	1247
66 / 1676	66 / 1676	726	738	755	811	851	891	897	953	1014	1041	1079	1135	1168	1203	1271	1340	1370
66 / 1676	72 / 1829	763	776	794	853	895	937	943	1002	1066	1094	1135	1193	1228	1264	1336	1409	1440

For all upcharges, see end of pricing

Pricing is continued on the following page.



Systems Bookcase (Continued)

**DIMENSIONS
CODE / INCHES
FOR MM X BY 25.4**

H	W
66 / 1676	24 / 610
66 / 1676	30 / 762
66 / 1676	36 / 914
66 / 1676	42 / 1067
66 / 1676	48 / 1219
66 / 1676	54 / 1372
66 / 1676	60 / 1524
66 / 1676	66 / 1676
66 / 1676	72 / 1829

H	W
66 / 1676	24 / 610
66 / 1676	30 / 762
66 / 1676	36 / 914
66 / 1676	42 / 1067
66 / 1676	48 / 1219
66 / 1676	54 / 1372
66 / 1676	60 / 1524
66 / 1676	66 / 1676
66 / 1676	72 / 1829

PRICING

TWO HIGH BACK (D)			
TWO HIGH FABRIC TILE (D)			
Foundation Laminate	Grade 2 Laminate	Flintwood	Veneer
3705	4805	3911	4027
4063	5537	4236	4363
4263	5855	4536	4668
4581	6767	4913	5064
4660	6853	5179	5334
5942	8853	6096	6294
6061	8987	6459	6669
6311	9464	6836	7056
6493	9654	7205	7437

The following Fabric Divider fabrics are available and added to the base price shown above.

PANEL FABRIC

COM/ Gr. A	Gr. 1	Gr. 2	Gr. 3	Gr. 4	Gr. 5
447	455	465	499	524	549
456	464	474	509	534	560
602	612	626	673	706	739
634	645	659	709	743	779
677	688	704	756	793	831
869	883	903	970	1018	1066
979	995	1018	1094	1147	1202
1212	1233	1260	1354	1421	1488
1272	1293	1322	1421	1490	1561

UPHOLSTERY FABRIC

COM	Gr. 1	Gr. 2	Gr. 3	Gr. 4	Gr. 5	Gr. 6	Gr. 7	Gr. 8	Gr. 9	Gr. 10
552	587	624	641	664	699	719	740	782	825	843
563	599	637	653	678	713	734	755	798	841	860
743	790	840	863	895	941	969	997	1054	1111	1135
783	833	886	909	943	992	1021	1051	1110	1171	1196
836	889	945	970	1006	1058	1089	1121	1185	1249	1277
1072	1140	1212	1245	1291	1358	1397	1438	1520	1602	1638
1209	1285	1367	1403	1455	1530	1575	1621	1713	1806	1846
1497	1591	1692	1737	1802	1895	1950	2008	2122	2237	2286
1570	1669	1775	1822	1890	1987	2045	2106	2225	2346	2398

If the following height and configuration are specified:

51" HIGH
Open Configuration (O) or
Two Pieces Fabric Corner Dividers (C)
 24" wide, add 80
 30" wide, add 87
 36" wide, add 89
 42" wide, add 96
 48" wide, add 98
 54" wide, add 120
 60" wide, add 122
 66" wide, add 123
 72" wide, add 127

66" HIGH
Open Configuration (O) or
Two Pieces Fabric Corner Dividers (C)
 24" wide, add 97
 30" wide, add 105
 36" wide, add 108
 42" wide, add 115
 48" wide, add 117
 54" wide, add 145
 60" wide, add 148
 66" wide, add 149
 72" wide, add 154

One High Fabric Tile (S) or
Two High Fabric Tile (D)
 24" wide, add 94
 30" wide, add 101
 36" wide, add 110
 42" wide, add 112
 48" wide, add 134
 54" wide, add 136
 60" wide, add 137
 66" wide, add 141
 72" wide, add 127

One High Fabric Tile (S) or
Two High Fabric Tile (D)
 24" wide, add 111
 30" wide, add 119
 36" wide, add 122
 42" wide, add 129
 48" wide, add 131
 54" wide, add 159
 60" wide, add 162
 66" wide, add 163
 72" wide, add 168