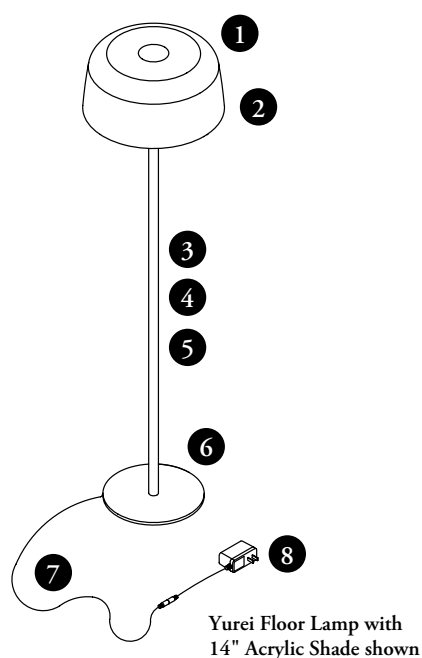


The Yurei Family *by Konzept* consists of a Table Lamp, Thru Mount and Floor Lamp. Specified with or without the shade, the Yurei Table and Floor Lamps bring a sense of modern sophistication to any area of the office.

yurei table & floor lamps overview

The ability to dim the lamp, along with a telescopic body, offers the user the opportunity to personalize their experience. The USB-C port provides further function and convenience.

Offering various shade and base finish choices, Yurei can be tailored to suit any aesthetic. From open ancillary spaces, to quiet private offices The Yurei Family brings a modern residential feel to any environment.



- 1 LED Light Engine
- 2 Shade
- 3 Telescopic Body
- 4 Dimmer and On/Off
- 5 USB-C Port
- 6 Floor Lamp Base
- 7 External Power Cord
- 8 DC Connection

Color Temperature: 3000K

Lumens: 760

Color Rendering Index: 90+

LED Lifespan: 60,000 Hours

Energy Consumption: 14W

Dimming: Continuous Dimming

USB-C Port: Standard (7.5W) for mobile device charging

Material: Aluminum, Polycarbonate

Warranty: 5 Years

Voltage: 100-240V

Base Finishes: Matte Black, Matte White

Shade Finishes: Clear, Dark Grey Translucent, Tea Brown Translucent, Blue Translucent

yurei table & floor lamps basics



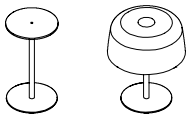
Finishes

Base:

- Konzept Matte White
- Konzept Matte Black

Acrylic Shade:

- Clear
- Dark Grey Translucent
- Tea Brown Translucent
- Blue Translucent



Yurei Table Lamp (LYT)

Available in two base styles.

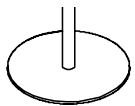


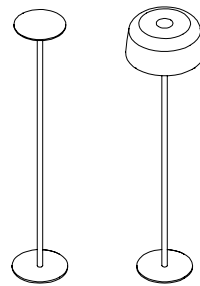
Table Lamp, Freestanding Base

- The 9" diameter base of the Yurei Table Lamp was designed to be sturdy yet easy to move



Table Lamp, Thru Mount

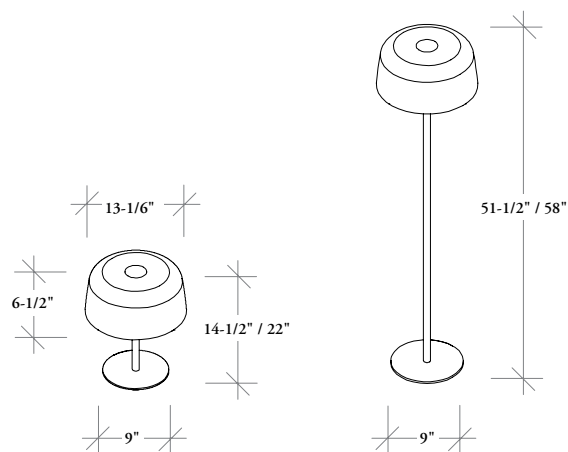
- Perfect for shared work environments and open settings, the Thru Mount Lamp can accommodate surfaces up to 1.25" thick



Yurei Floor Lamp (LYF)

planning with yurei table & floor lamps

overall dimensions



thru mount placement

When installing the thru mount in the 15" working area, be careful to avoid interference with monitors or laptops.

Install the thru mount a minimum of 10" (no shade) or 15" (with shade) away from the worksurface edge. Ensure the desired location has no brackets or structure underneath the worksurface.

